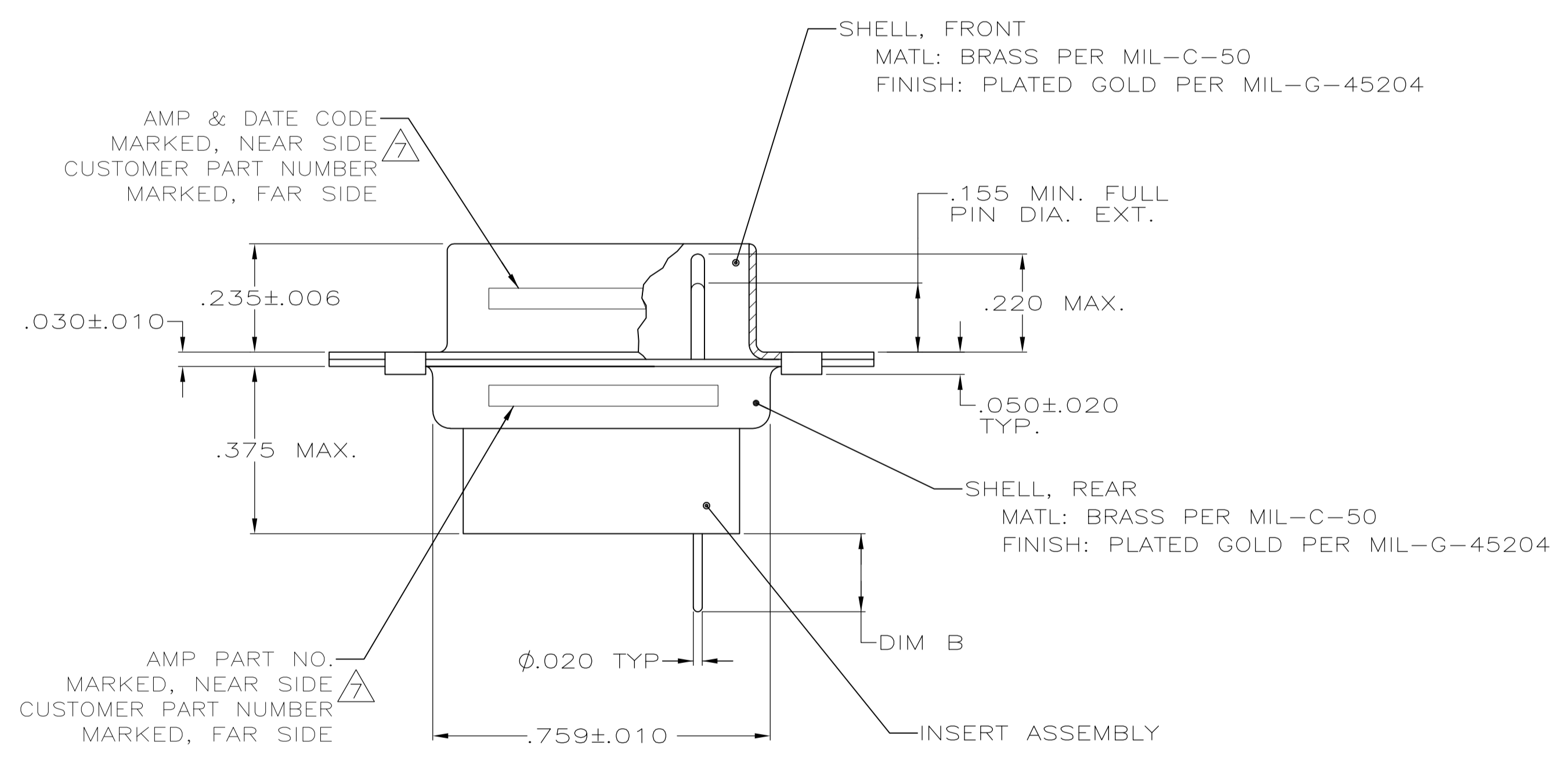
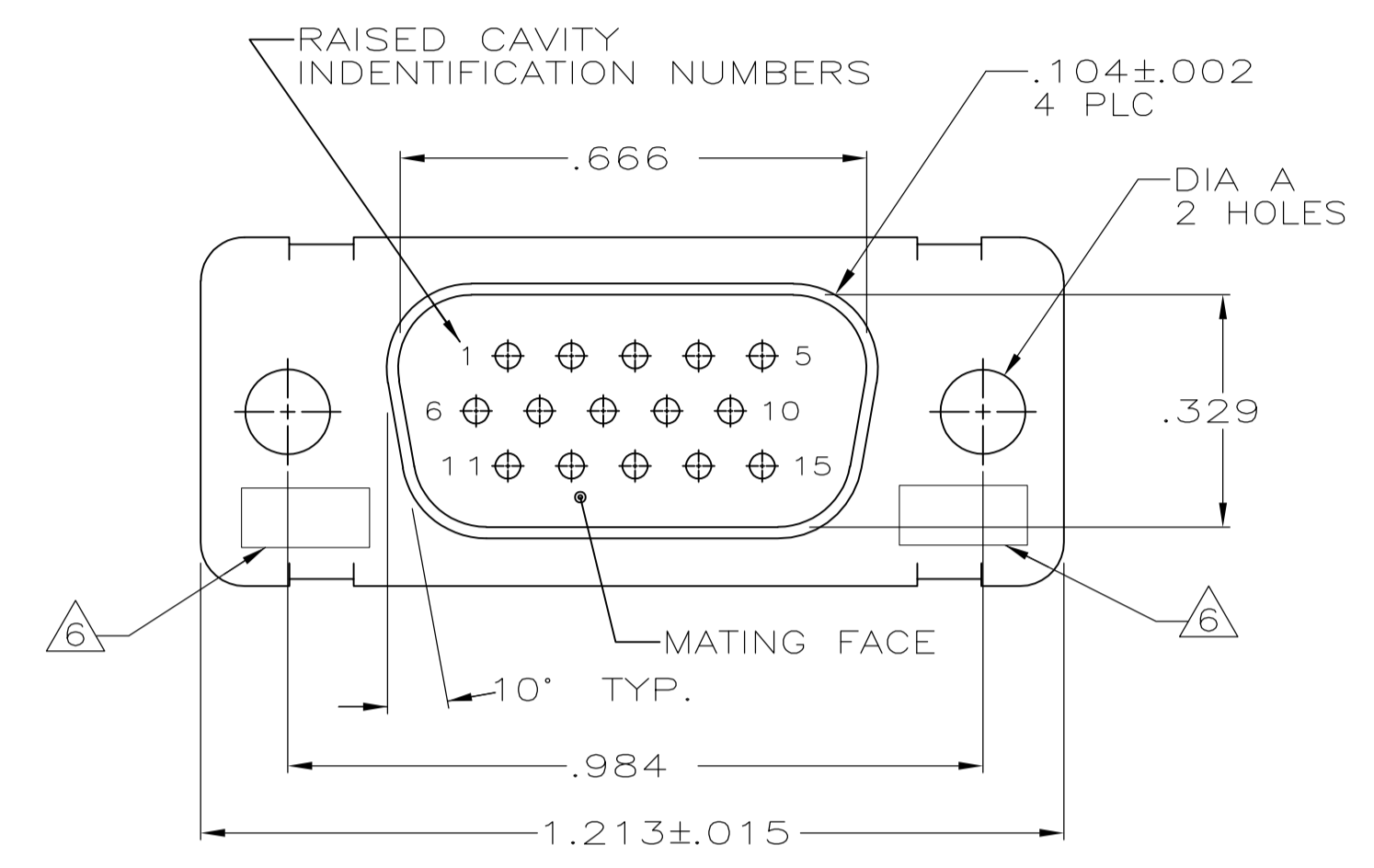
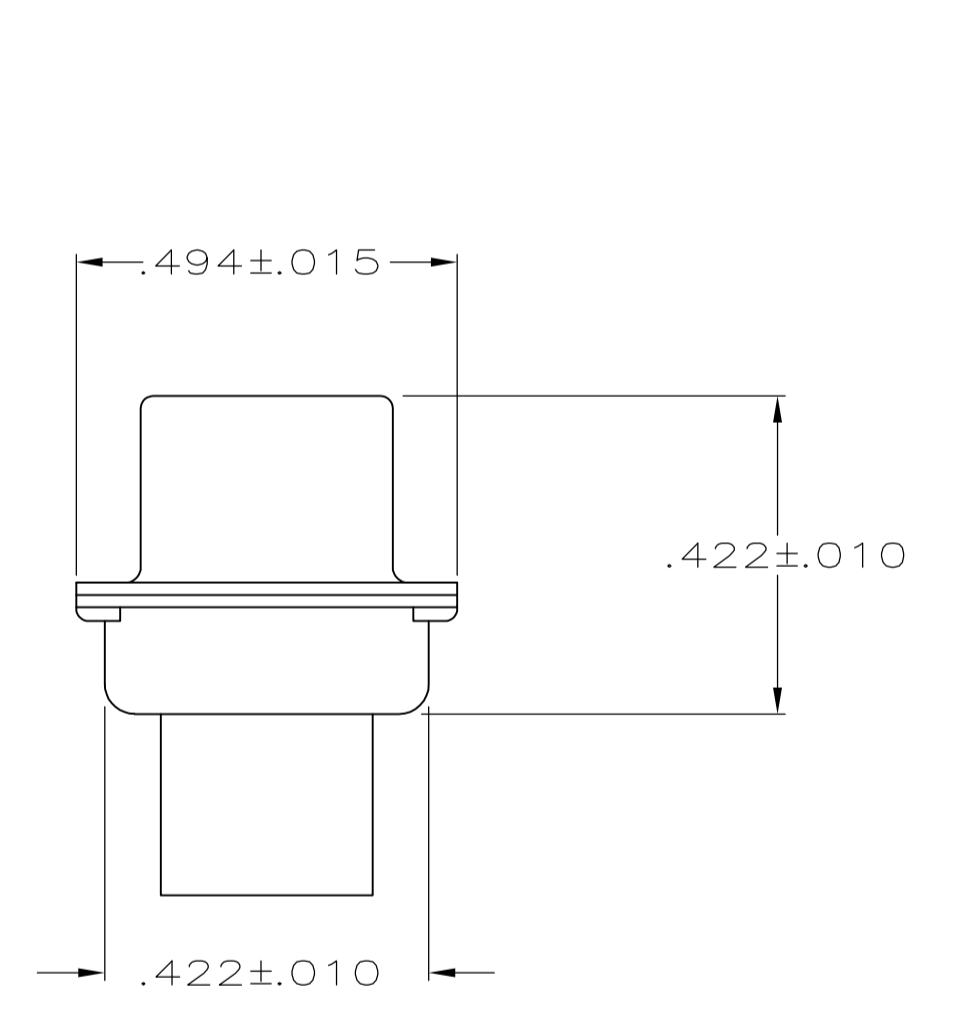


REVISONS		DATE	BY	APPV
AE	REV PER ECO 15-016064	11-9-15	CT	CD

- THIS PLUG WILL MATE WITH ANY RECEPTACLE CONNECTOR WITH THE SAME INSERT ARRANGEMENT AS DEFINED BY MS18273-2.
- MAXIMUM WIRE INSULATION USED WITH THIS RCPT. IS .054 DIA.
- Be-Cu RETENTION CLIPS ARE INCLUDED IN INSERTS.
- AMP PART NO. ONLY, STAMPED AS SHOWN.
- THESE CONNECTORS ARE QUALIFIED TO GODDARD SPACE FLIGHT CENTER SPECIFICATION S-311-P-4.
- UL/CSA DESIGNATION STAMPED IN THIS AREA, OPTIONAL.
- CUSTOMER PART NUMBER MAY BE SPLIT BETWEEN FRONT AND REAR SHELLS, SAME SIDE.
- 25 CONTACTS, AMP PART NUMBER 204370-8, SUPPLIED WITH EACH CONNECTOR.
- CONNECTOR LOADED WITH POSTED CONTACTS. INSPECTION REQUIREMENTS PER GENERAL ELECTRIC DOCUMENT 20025720.
- RESTRICTED TO CAE ELECTRONICS.
- CONNECTOR LOADED WITH POSTED CONTACTS.
- CONNECTOR LOADED WITH POSTED CONTACTS. INSPECTION REQUIREMENTS PER LOCKHEED-MARTIN DOCUMENT 20131204



MATL: POLYPHENYLENE SULFIDE (PPS) GST-40F PER MIL-M-24519 OR GLASS FILLED POLYESTER, TPES013G30 PER ASTM D5927 COLOR, BLACK



CONTACT P/N 204370-8  
GSFC G-08-P1  
(SUPPLIED WITH 209498-8 ONLY)

PRELIMINARY	12	.150±.025	.120	20131204P2015P	1-206498-4	1-206498-4
			.120	570566-7	1-206498-3	1-206498-3
	11	.175±.025	.120	-	1-206498-2	1-206498-2
	5		.120	311P407-1P-B-12	206498-4	1-206498-1
	5		.154	311P407-1P-B-15	206498-1	1-206498-0
	9	.150±.025	.120	2002570P2015P	206498-9	206498-9
	8		.120	3261113-7	206498-8	206498-8
			.154	1622251-003	206498-7	206498-7
OBSOLETE			.120	R4383P15P	206498-6	206498-6
			.120	R4383P15P-2	206498-5	206498-5
	5		.120	311P407-1P-B-12	206498-4	206498-4
			.154	206498-3	206498-3	206498-3
			.120	R9259P15P	206498-2	206498-2
	5		.154	311P407-1P-B-15	206498-1	206498-1
REMARKS		DIM B	DIA A	MARKED CUSTOMER P/N	MARKED AMP P/N	AMP P/N

THIS DRAWING IS A CONTROLLED DOCUMENT.

APPROVED: P. YEAGER, 02OCT2006  
 CHECKED: D. MILLER, 05OCT06  
 DRAWN: D. MILLER, 05OCT06

TE Connectivity

PLUG, PIN CONTACTS  
 HI-DENSITY D CONNECTOR  
 SIZE 1, 15 POSN, NONMAGNETIC

SIZE: A1, 00779, 206498  
 WEIGHT: --  
 SCALE: 4:1, SHEET 1 OF 1, REV AE