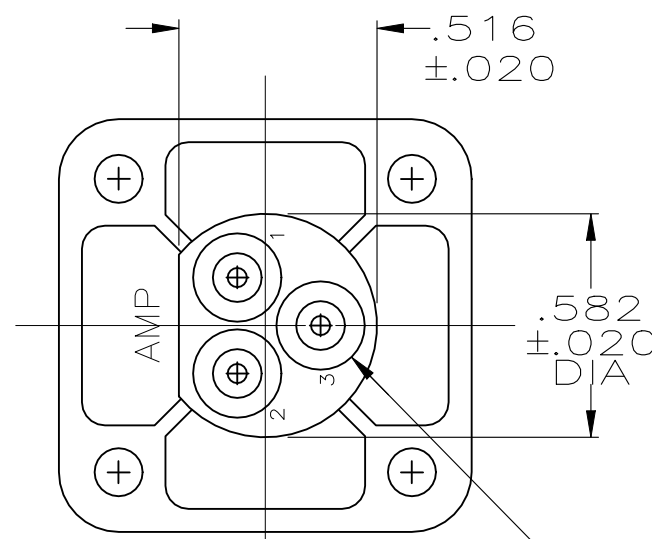
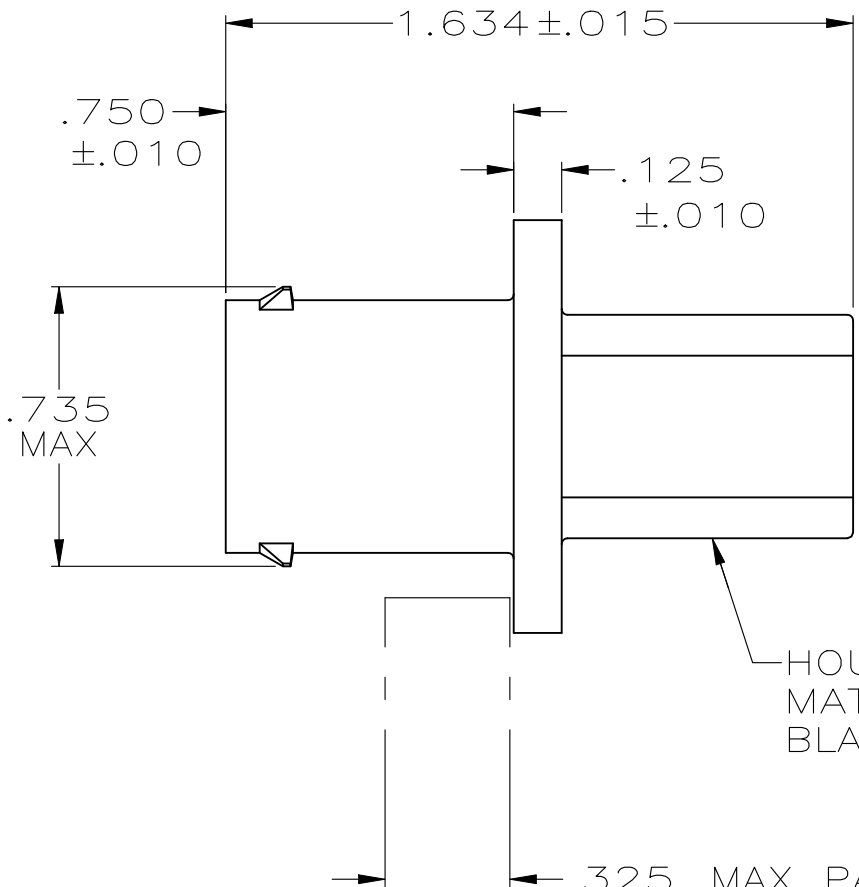
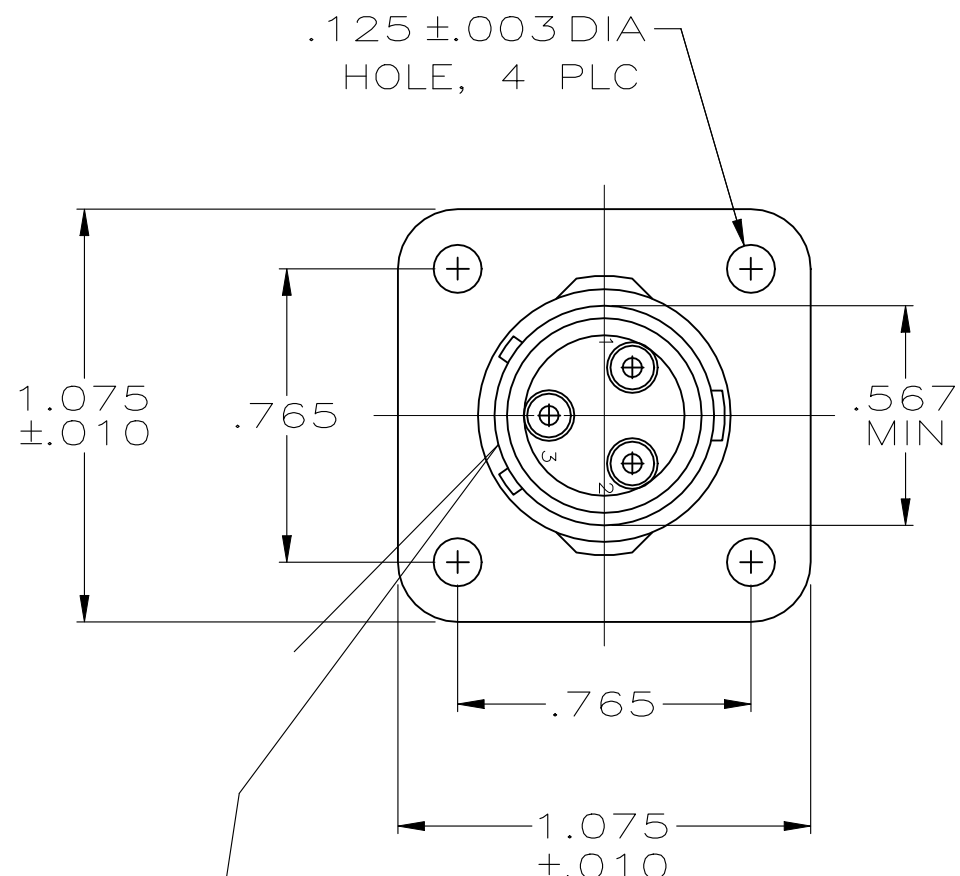


REVISIONS					
P	LTR	DESCRIPTION	DATE	DWN	APVD
	H	PER PCN E-20-018081	10MAR2021	SCK	

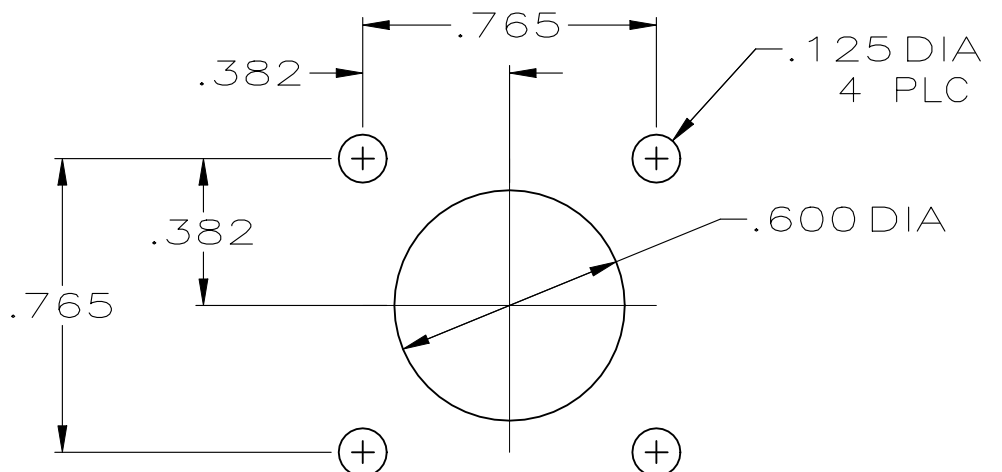


HOUSING MATERIAL: THERMOPLASTIC BLACK

DISCRETE WIRE SEALS (3) MATERIAL: ELASTOMER BLACK

PERIPHERAL SEAL MATERIAL: ELASTOMER BLACK

1. WIRE INSULATION SEALING RANGE .070-.130 DIA.
2. THIN MEMBRANE PERMISSIBLE ON SMALL DIAMETER OF WIRE SEALS.



RECOMMENDED PANEL CUTOUT

207807-1
PART NUMBER

THIS DRAWING IS A CONTROLLED DOCUMENT.		DWN	J GALLUCCI BG	8-21-90	STE TE Connectivity		
		CHK	-	-			
DIMENSIONS: INCHES		TOLERANCES UNLESS OTHERWISE SPECIFIED:			NAME		
		0 PLC	± -		ECONOSEAL, SQUARE FLANGE RECEPTACLE, SHELL SIZE 10, 3 POSITION, PIN CONTACTS		
		1 PLC	± -		SIZE		
		2 PLC	± -		CAGE CODE	DRAWING NO	RESTRICTED TO
		3 PLC	± .005		A3	00779	C-207807
MATERIAL SEE CALLOUT		FINISH -			WEIGHT	0.000000	
					CUSTOMER DRAWING	SCALE 2:1	
					SHEET	1 OF 1	
					REV	H	