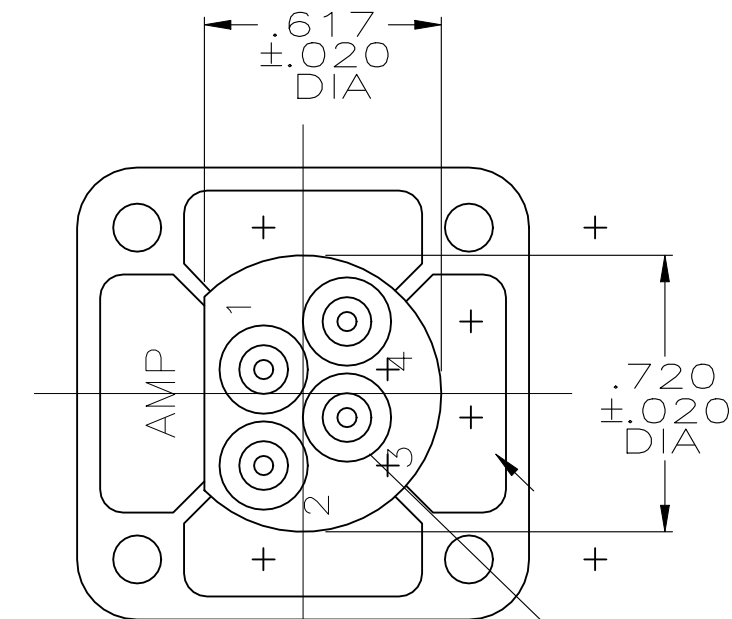
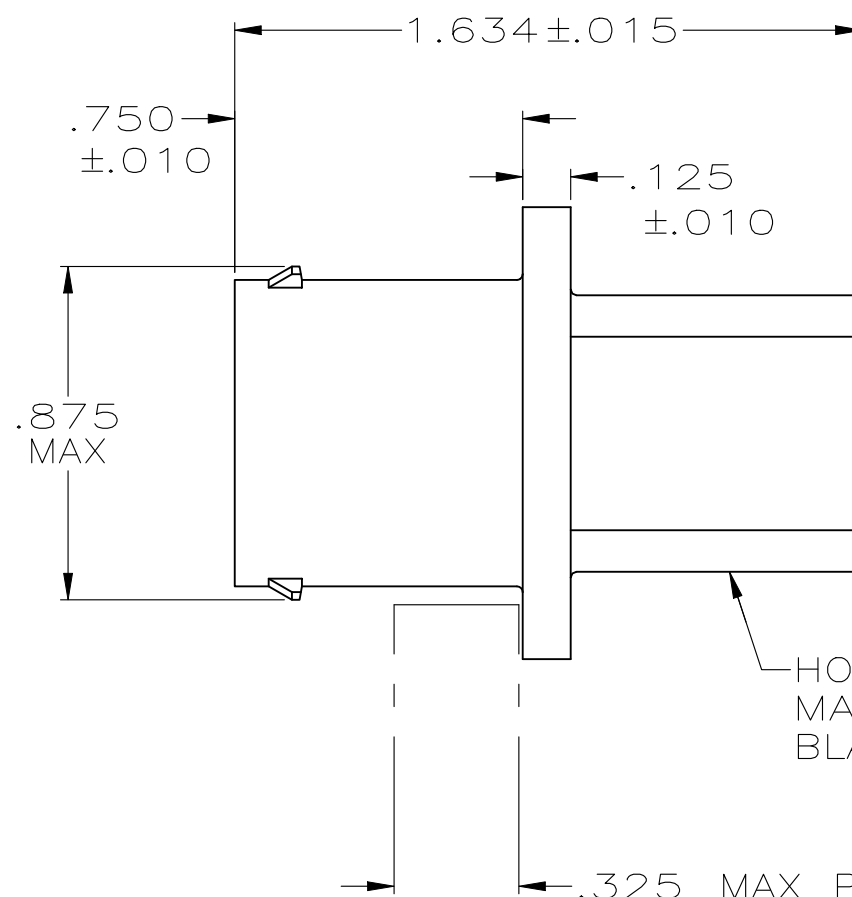
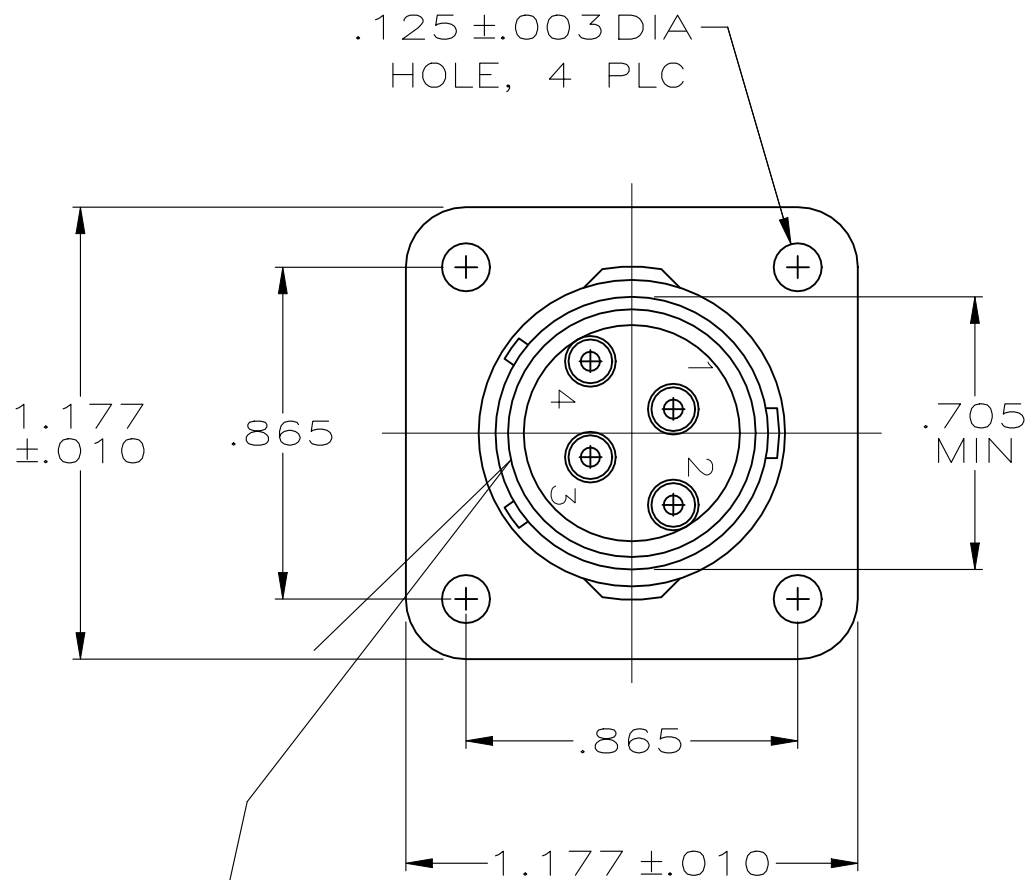


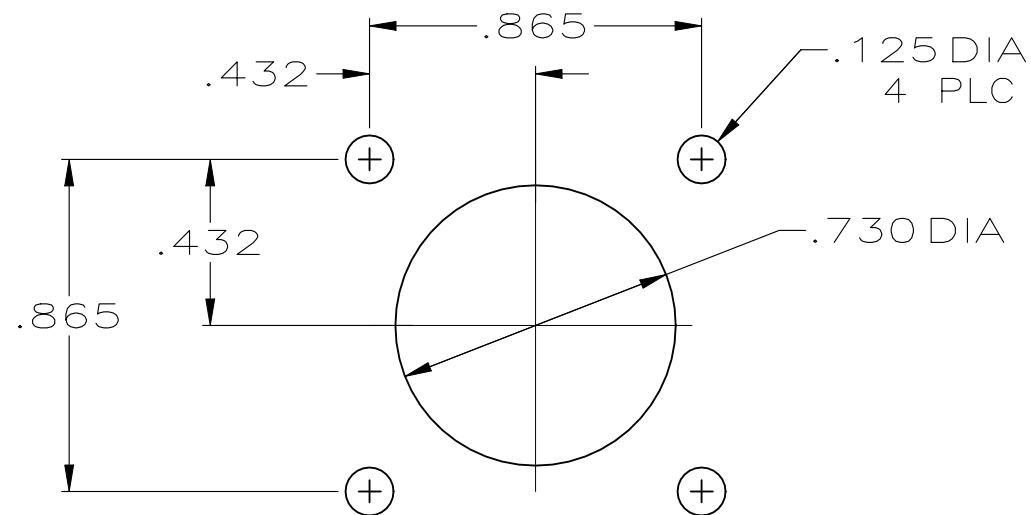
P	LTR	DESCRIPTION	DATE	DWN	APVD
	H	PCN E-20-018081	10MAR2021	SCK	



HOUSING MATERIAL: THERMOPLASTIC BLACK

DISCRETE WIRE SEALS (4) MATERIAL: ELASTOMER BLACK

PERIPHERAL SEAL MATERIAL: ELASTOMER BLACK



RECOMMENDED PANEL CUTOUT

1. WIRE INSULATION SEALING RANGE .070-.130 DIA.
2. THIN MEMBRANE PERMISSIBLE ON SMALL DIAMETER OF WIRE SEALS.

207808-1
PART NUMBER

THIS DRAWING IS A CONTROLLED DOCUMENT.		DWN J GALLUCCI BG 8-21-90	<b>STE</b> TE Connectivity			
DIMENSIONS: INCHES		CHK -				NAME
TOLERANCES UNLESS OTHERWISE SPECIFIED:		APVD -	ECONOSEAL, SQUARE FLANGE RECEPTACLE, SHELL SIZE 12, 4 POSITION, PIN CONTACTS			
0 PLC ± -		PRODUCT SPEC -				
1 PLC ± -		APPLICATION SPEC -	SIZE	CAGE CODE	DRAWING NO	RESTRICTED TO
2 PLC ± -		---	---	---	---	---
3 PLC ± .005		---	---	---	---	---
4 PLC ± -		---	---	---	---	---
ANGLES ± -		---	---	---	---	---
MATERIAL SEE CALLOUT		FINISH -	WEIGHT 0.000000	A300779	C-207808	---
CUSTOMER DRAWING			SCALE 2:1	SHEET 1 OF 1	REV H	---