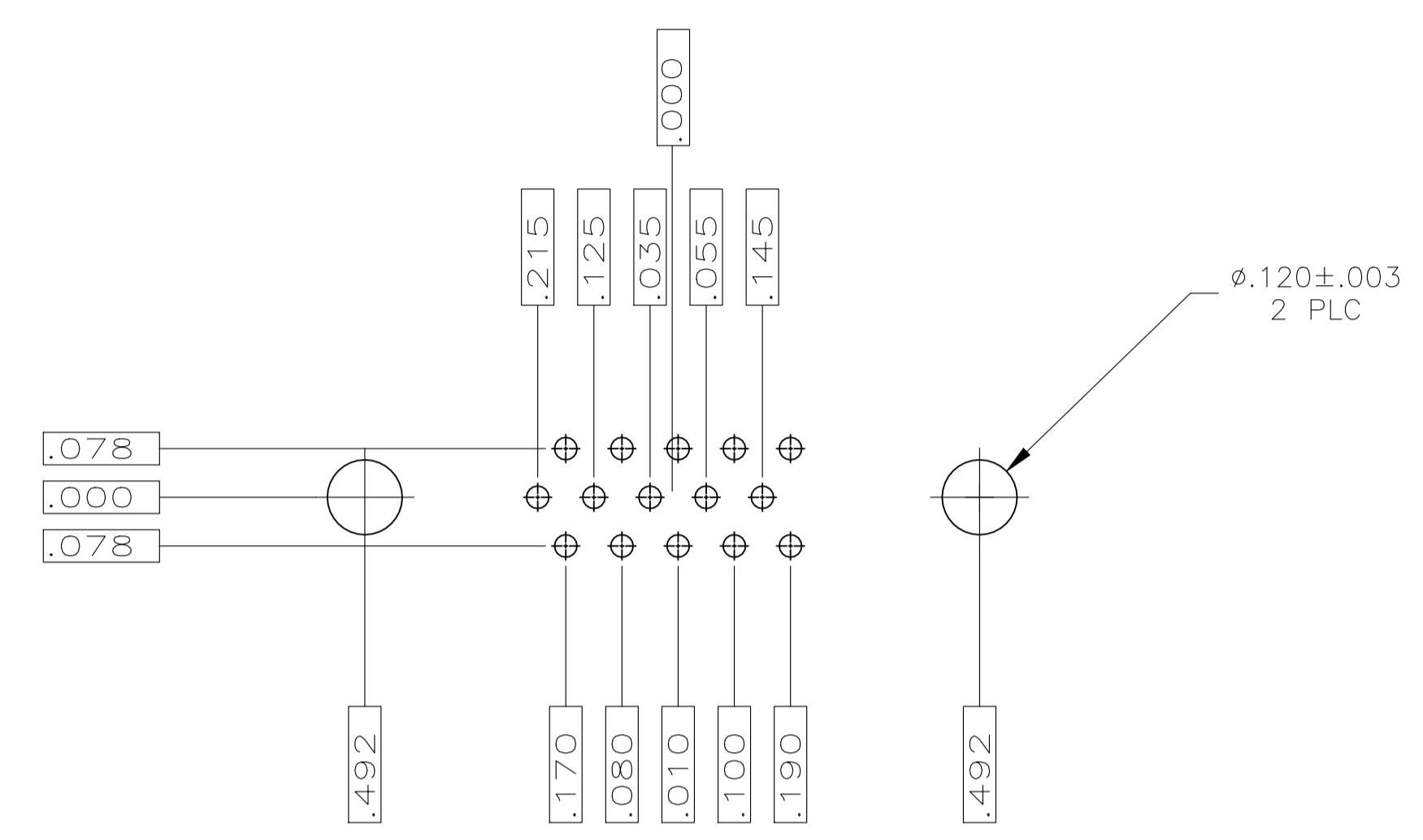
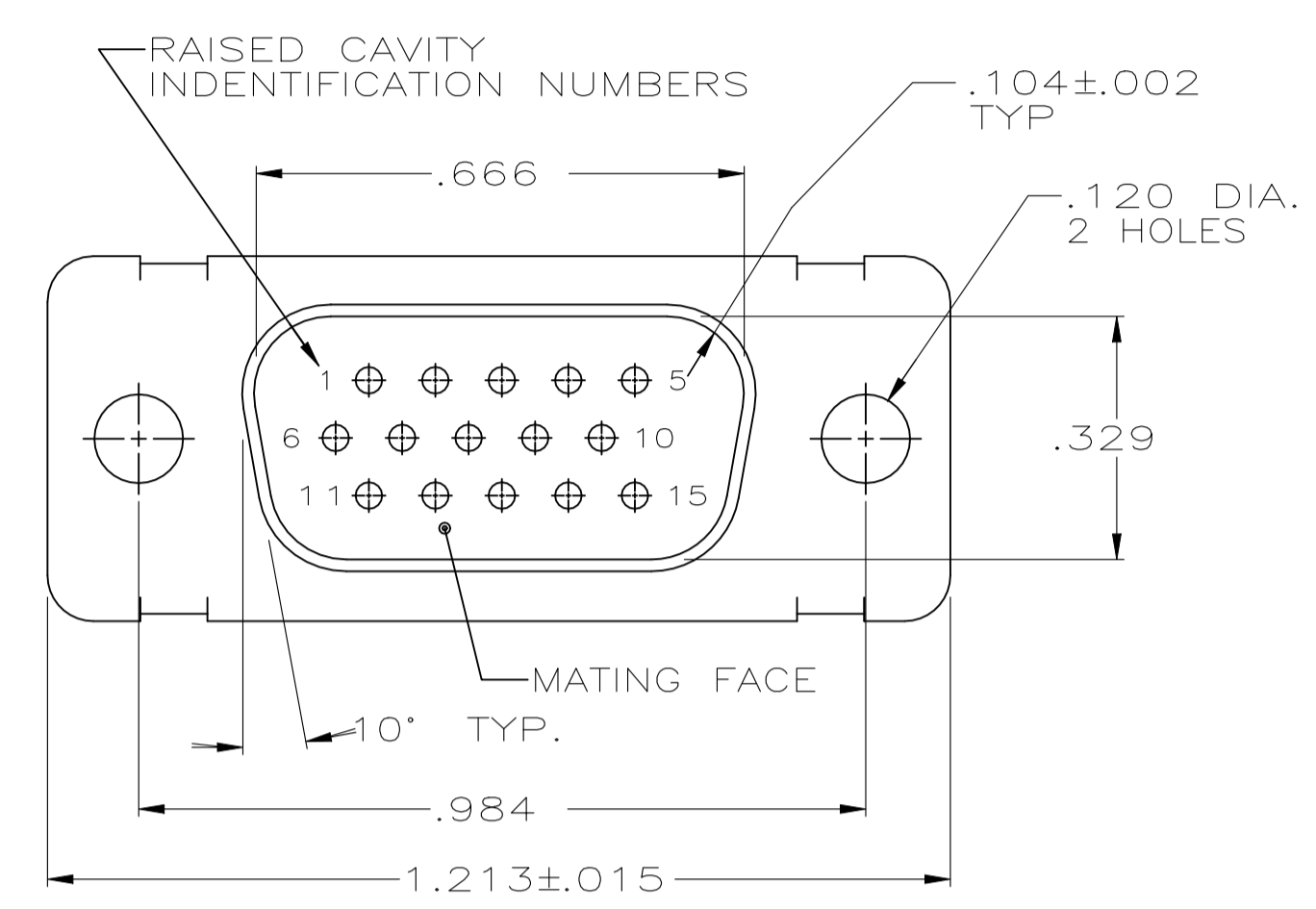
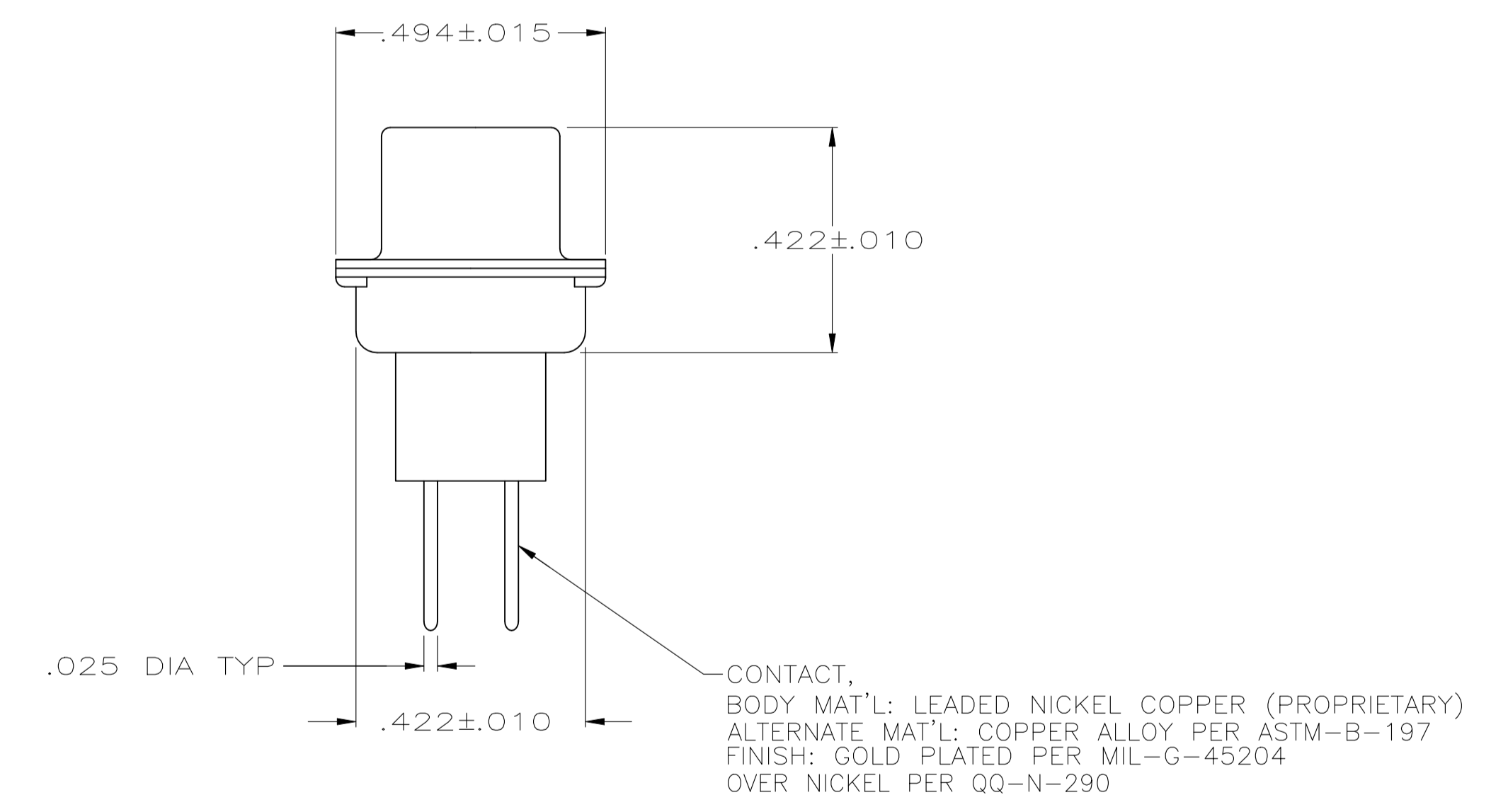
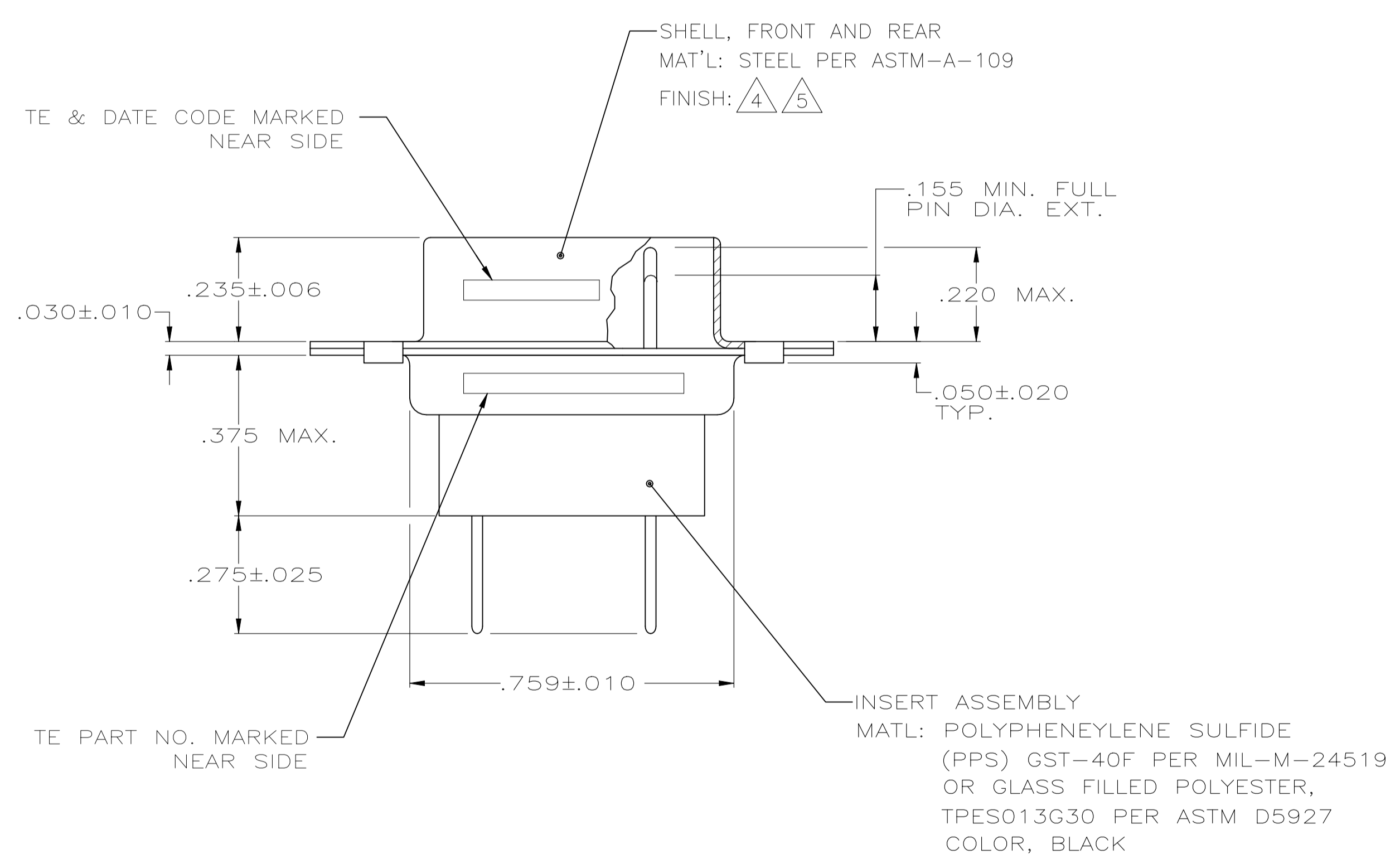


REVISIONS				
P	LTR	DESCRIPTION	DATE	APP'D
N		REVISED PER ECN-24-266823	20MAY2024	PE DS

WARNING - THIS DOCUMENT CONTAINS TECHNOLOGY WHOSE EXPORT IS RESTRICTED BY THE EXPORT ADMINISTRATION REGULATIONS ("EAR") PURSUANT TO 15 C.F.R. PARTS 730-774. VIOLATIONS OF THE EAR ARE SUBJECT TO SEVERE CRIMINAL PENALTIES UNDER THE EXPORT CONTROL REFORM ACT, AS AMENDED (TITLE 50, U.S.C., SEC. 4801, ET SEQ.).



RECOMMENDED P.C. BOARD LAYOUT



- .040 DIA HOLE IS RECOMMENDED FOR P.C. BOARD
- CONNECTOR MATES WITH ANY TE 15 POSN RECEPTACLE
- REPLACEMENT PIN TE# 207683-8
- FINISH: CADMIUM PER QQ-P-416
- FINISH: ZINC PLATED PER ASTM-B-633, .000200-.000400 THK WITH SUPPLEMENTARY CHROMATE (Cr3+)

PLATED PER 5	5-208866-1
PLATED PER 4	208866-1
DESCRIPTION	PART NO.

THIS DRAWING IS A CONTROLLED DOCUMENT.

DIMENSIONS: INCHES	TOLERANCES UNLESS OTHERWISE SPECIFIED:	DIN RAGHAV SATISH 24JUN2015	CHK CHARLES THOMAS 24JUN2015	APVD CHARLES THOMAS 24JUN2015
0 PLC ± -	1 PLC ± -	NAME AMPLIMITE 15 POSN PLUG ASSY		
2 PLC ± -	3 PLC ± .005	SIZE CAGE CODE DRAWING NO. A1 00779 C=208866		
4 PLC ± -	ANGLES ± -	RESTRICTED TO		
MATERIAL SEE CALLOUTS	FINISH SEE CALLOUTS	WEIGHT -	CUSTOMER DRAWING	SCALE 4:1 SHEET 1 OF 1 REV N

STE TE Connectivity Ltd.