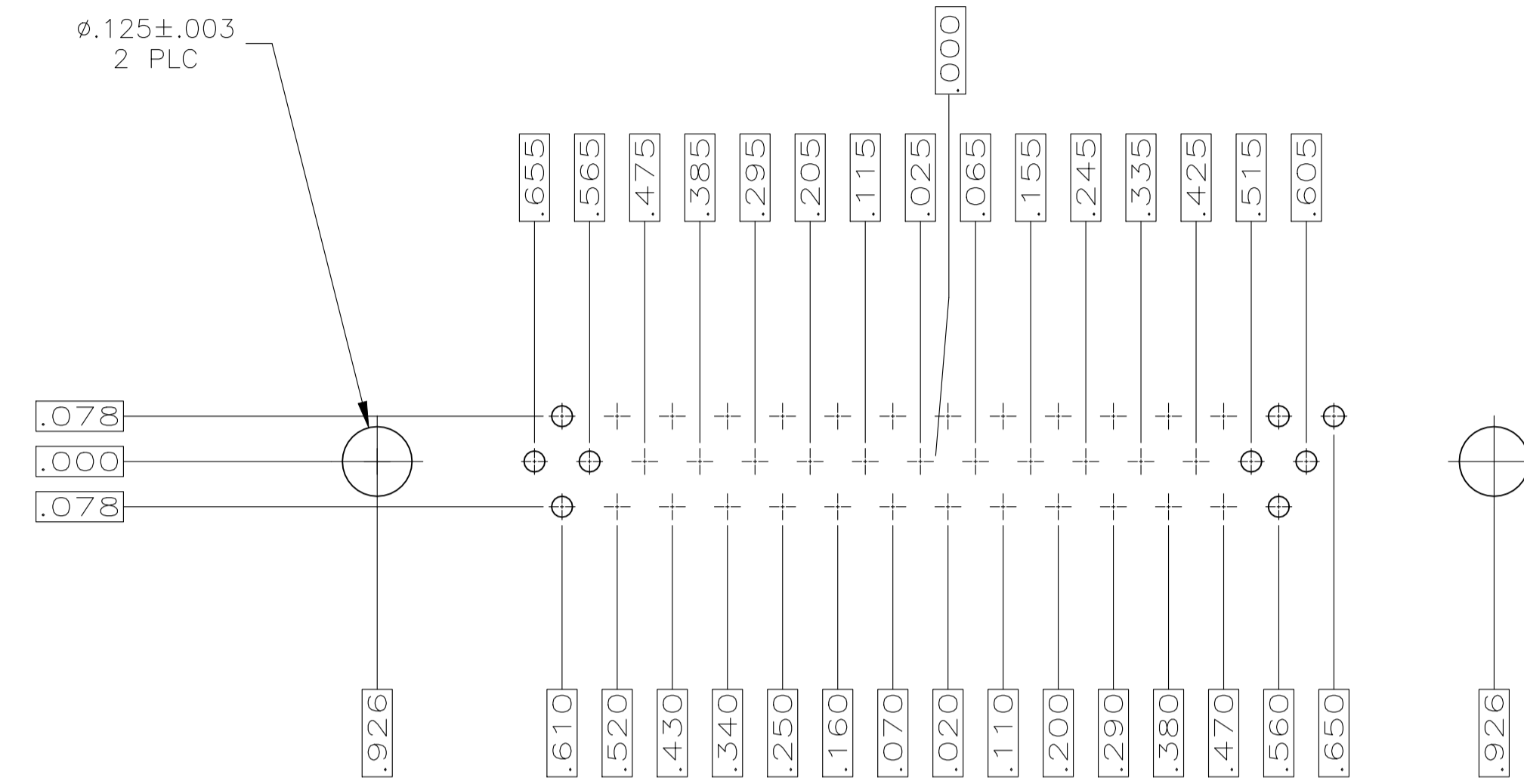
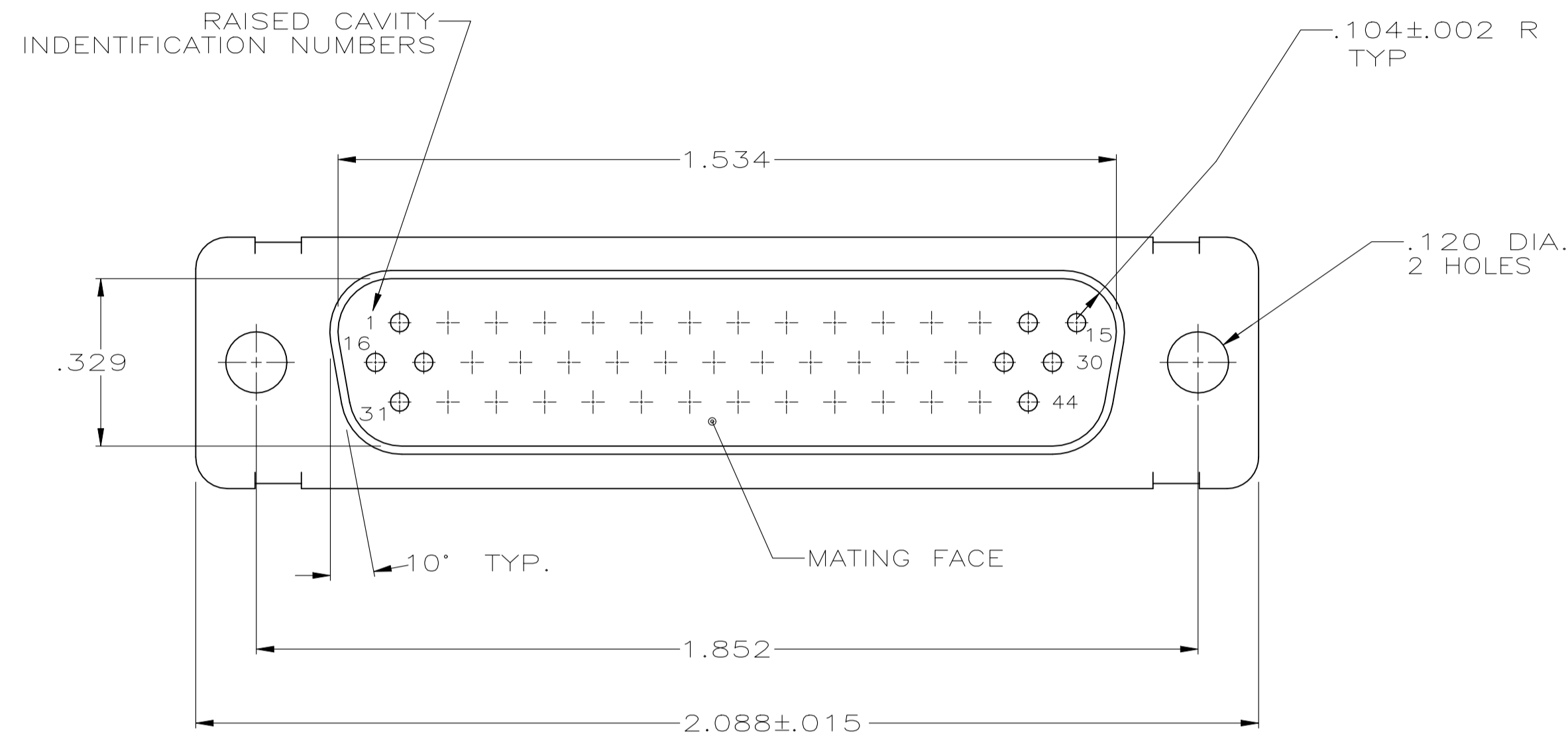
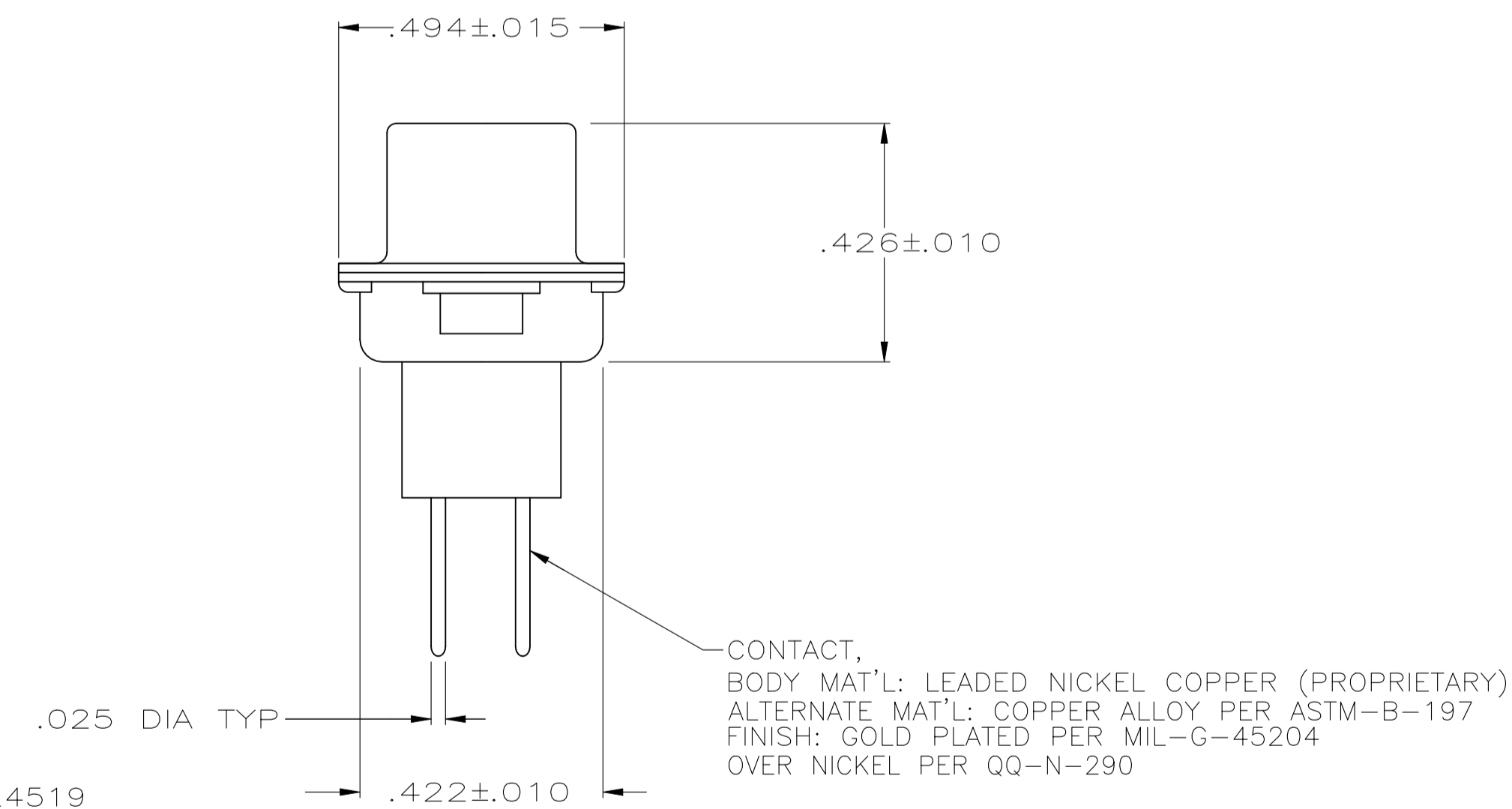
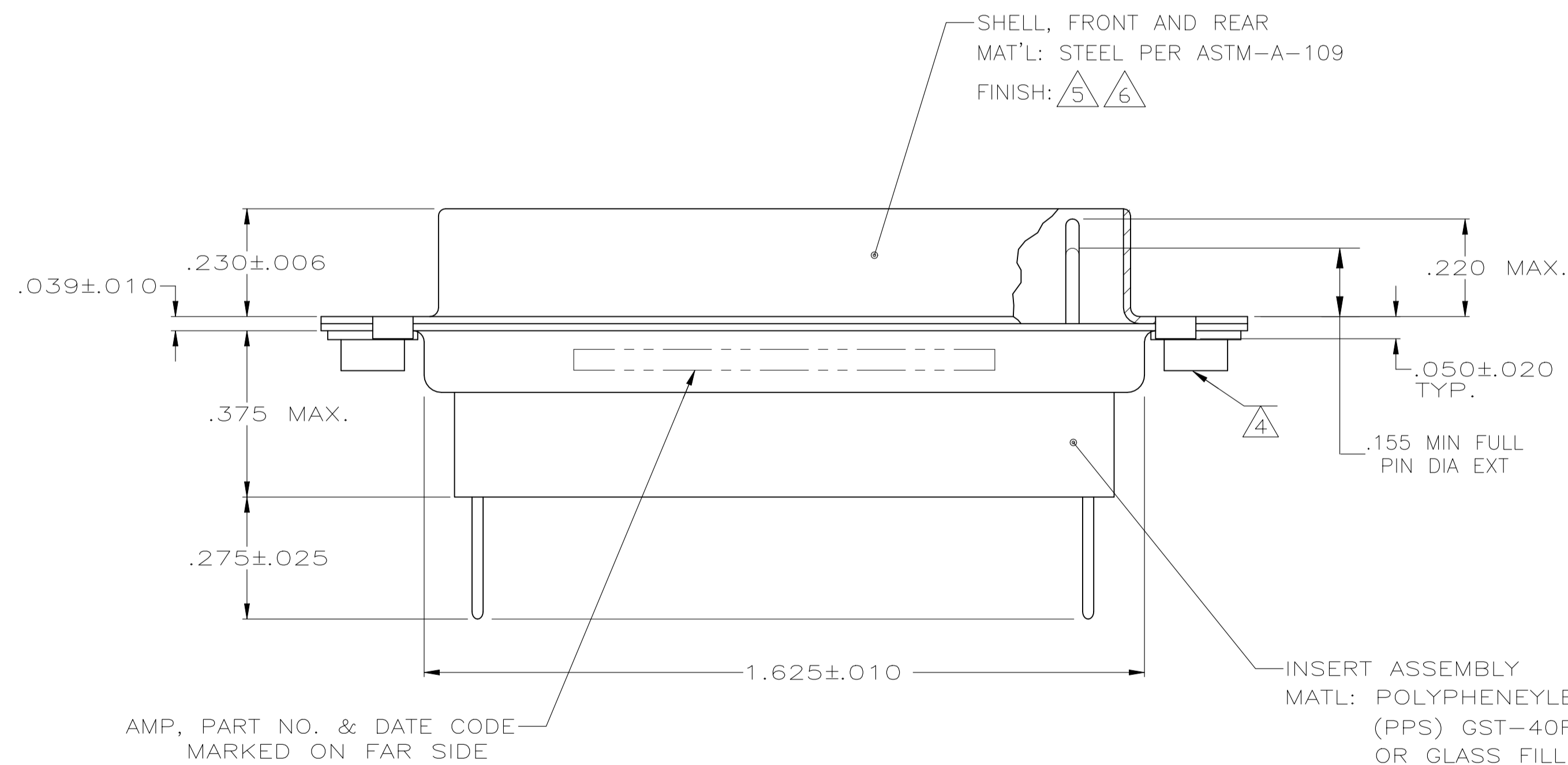


WARNING - THIS DOCUMENT CONTAINS TECHNOLOGY WHOSE EXPORT IS RESTRICTED BY THE EXPORT ADMINISTRATION REGULATIONS ("EAR") PURSUANT TO 15 C.F.R. PARTS 730-774. VIOLATIONS OF THE EAR ARE SUBJECT TO SEVERE CRIMINAL PENALTIES UNDER THE EXPORT CONTROL REFORM ACT, AS AMENDED (TITLE 50, U.S.C., SEC. 4801, ET SEQ.).

REVISIONS					
P	LTR	DESCRIPTION	DATE	DN	APVD
N		REVISED PER ECN-24-266588	17MAY2024	PP	DS



RECOMMENDED P.C. BOARD LAYOUT



- .040 DIA HOLE IS RECOMMENDED FOR P.C. BOARD
- CONNECTOR MATES WITH ANY AMP 44 POSN RECEPTACLE
- REPLACEMENT PIN AMP# 207683-8
- CLINCH NUT(QTY = 2) IS USED ON 208868-3 ONLY.
- FINISH: CADMIUM PER QQ-P-416
- FINISH: ZINC PLATED PER ASTM-B-633, .000200-.000400 THK WITH SUPPLEMENTARY CHROMATE (Cr3+)

5-208868-1 OBSOLETE	PLATED PER $\triangle 6$	5-208868-1
208868-3 OBSOLETE	$\triangle 4$ , PLATED PER $\triangle 5$	208868-3
208868-2 OBSOLETE	PLATED PER $\triangle 5$	208868-2
	PLATED PER $\triangle 5$	208868-1
	DESCRIPTION	PART NO.

THIS DRAWING IS A CONTROLLED DOCUMENT.		DIN	C.C.THOMAS	1-7-88
DIMENSIONS: INCHES		CHK	F.C.BALLEW III	1-26-88
TOLERANCES UNLESS OTHERWISE SPECIFIED:		APVD	F.C.BALLEW III	1-26-88
0 PLC ± .005		PRODUCT SPEC		
1 PLC ± .005		APPLICATION SPEC		
2 PLC ± .005		SIZE	A1	00779
3 PLC ± .005		WEIGHT	0.000000	208868
4 PLC ± .005		CUSTOMER DRAWING		
ANGLES ± .005		SCALE	4:1	SHEET 1 of 1
FINISH SEE CALLOUTS		REV		