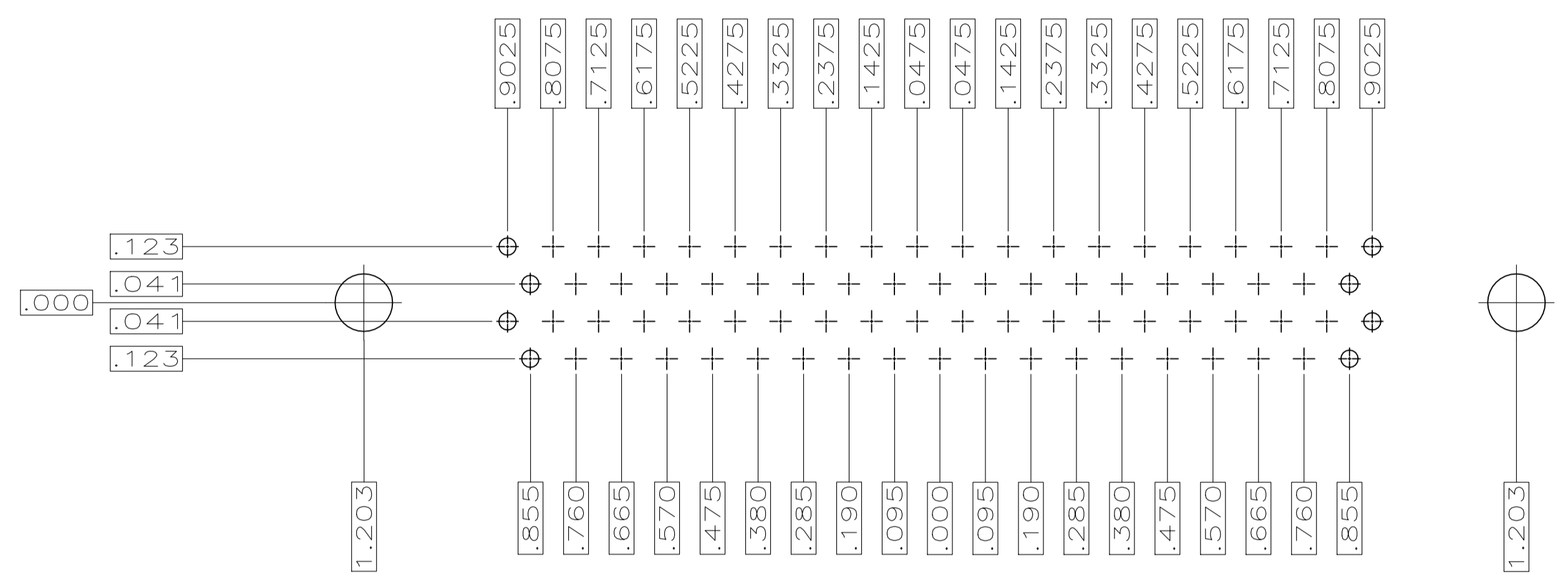
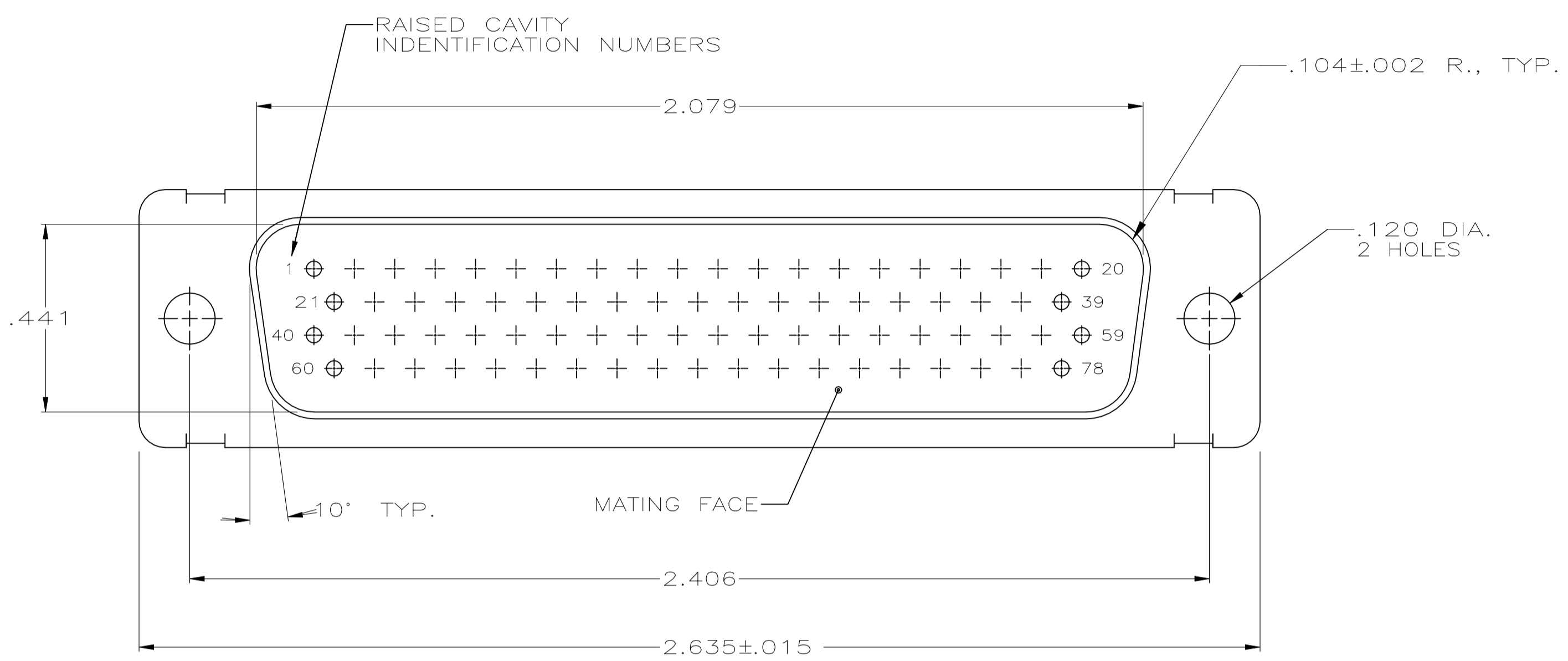
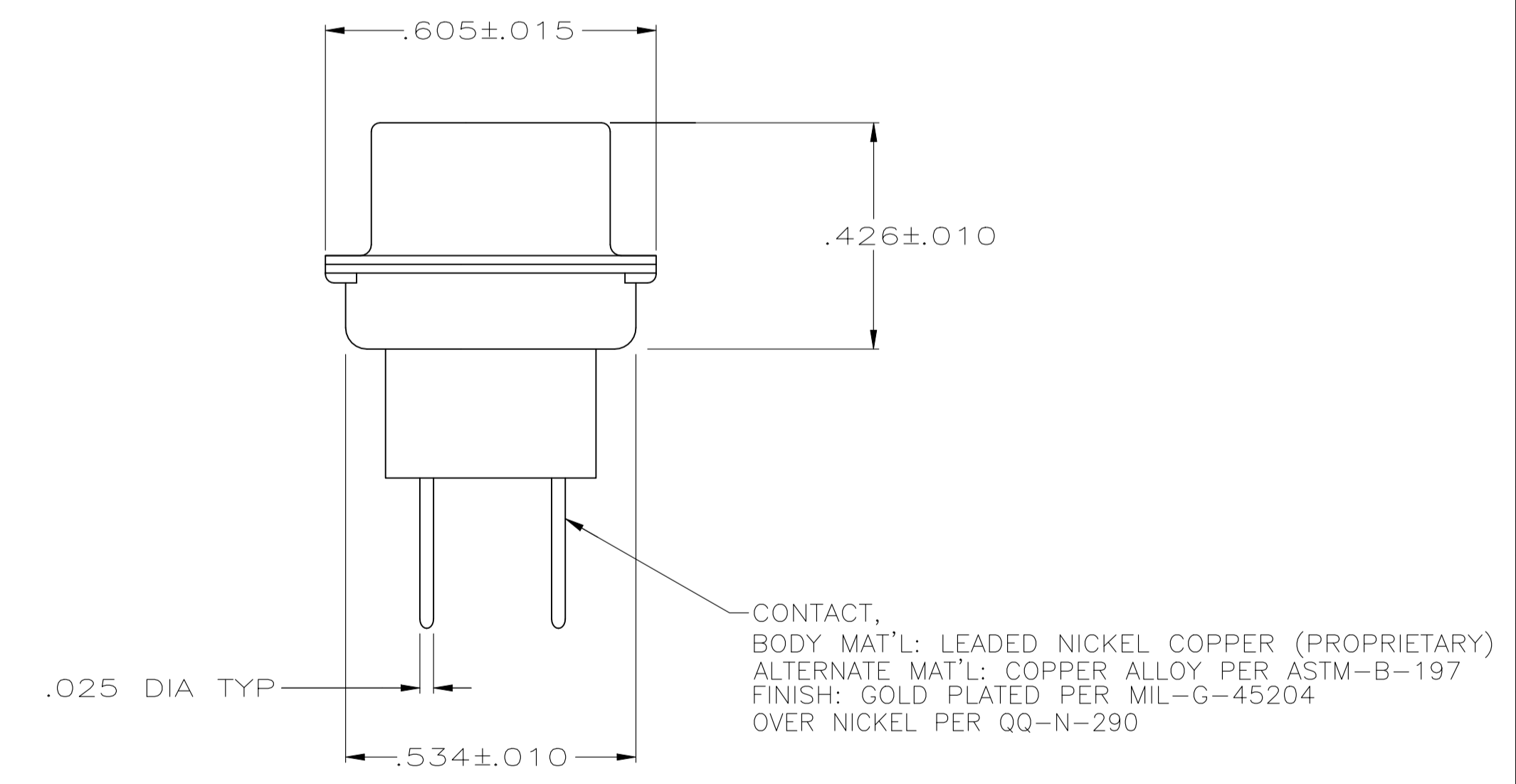
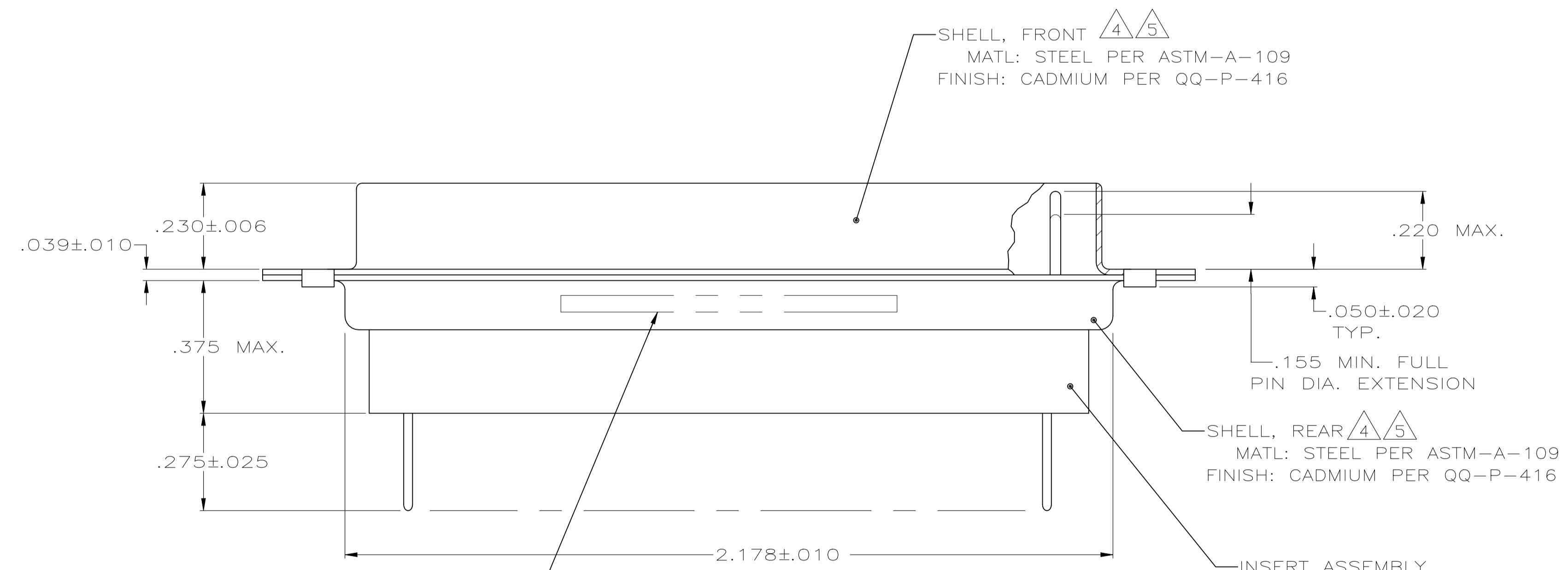


WARNING - THIS DOCUMENT CONTAINS TECHNOLOGY WHOSE EXPORT IS RESTRICTED BY THE EXPORT ADMINISTRATION REGULATIONS ("EAR") PURSUANT TO 15 C.F.R. PARTS 730-774. VIOLATIONS OF THE EAR ARE SUBJECT TO SEVERE CRIMINAL PENALTIES UNDER THE EXPORT CONTROL REFORM ACT, AS AMENDED (TITLE 50, U.S.C., SEC. 4801, ET SEQ.).

REVISIONS				
P	LTR	DESCRIPTION	DATE	APVD
K		REVISED PER ECN-24-266465	20MAY2024	PE DS



RECOMMENDED P.C. BOARD LAYOUT



- .040 DIA HOLE IS RECOMMENDED FOR P.C. BOARD.
 - CONNECTOR MATES WITH ANY AMP 78 POSN RECEPTACLE.
 - REPLACEMENT CONTACT AMP# 207683-8.
- 4 CADMIUM PER QQ-P-416.
 5 FINISH: ZINC PER ASTM-B-633 .000200-.000400 THK WITH SUPPLEMENTARY CHROMATE (Cr3+).

5	5-208870-1
4	208870-1
REMARKS	PART NO

THIS DRAWING IS A CONTROLLED DOCUMENT.		DIN C.C.THOMAS 1-12-88	TE Connectivity	
DIMENSIONS: INCHES		CHK F.C.BALLEW III	NAME	
TOLERANCES UNLESS OTHERWISE SPECIFIED:		APVD	PRODUCT SPEC	
0 PLC ± .005		APVD	APPLICATION SPEC	
1 PLC ± .005		APVD	RESTRICTED TO	
2 PLC ± .005		APVD	SIZE CAGE CODE DRAWING NO	
3 PLC ± .005		APVD	WEIGHT 0.000000 A1 00779 C=208870	
4 PLC ± .005		APVD	CUSTOMER DRAWING SCALE 4:1 SHEET 1 of 1 REV K	
ANGLES ± .005		APVD		
FINISH SEE CALLOUTS		APVD		