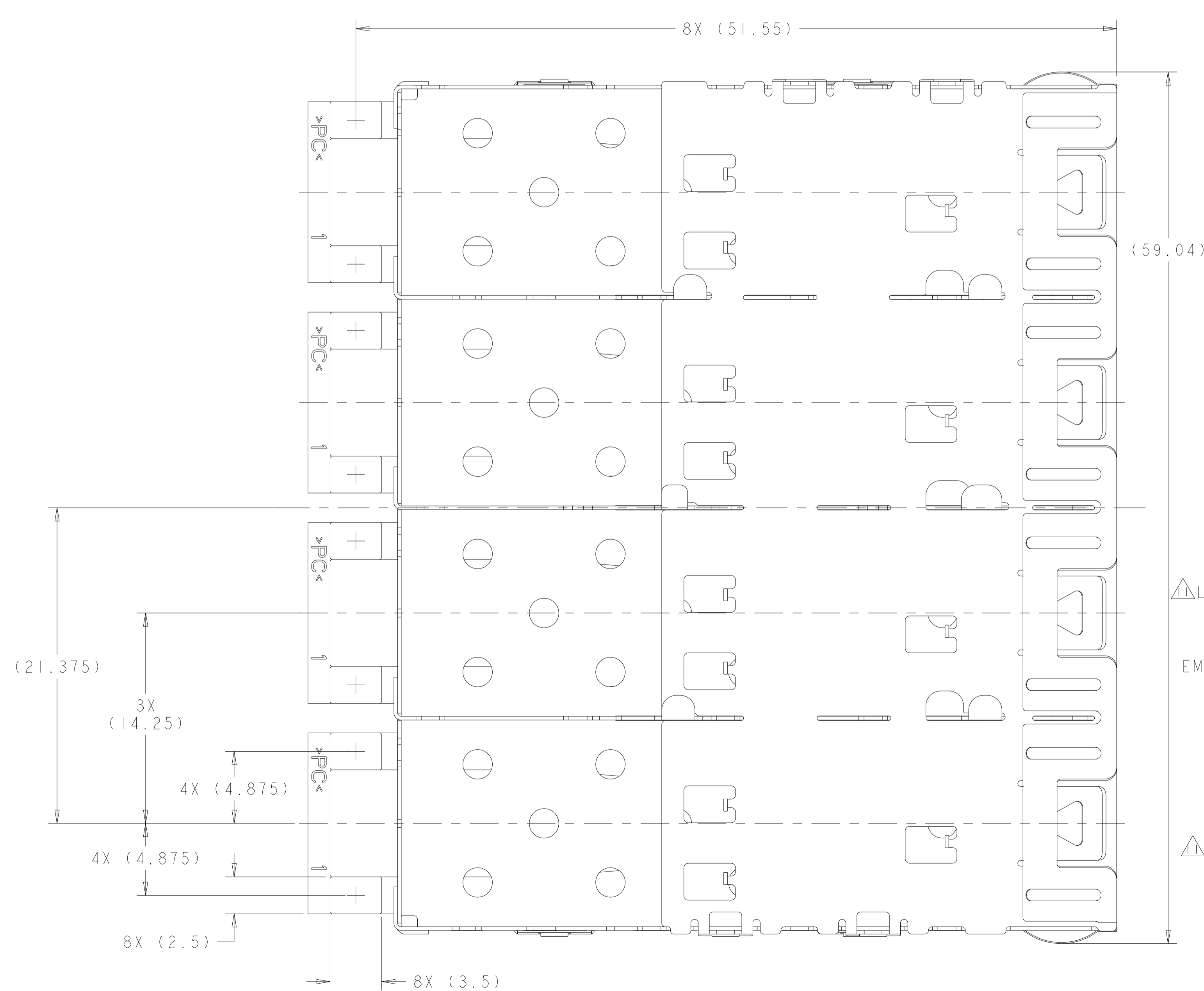
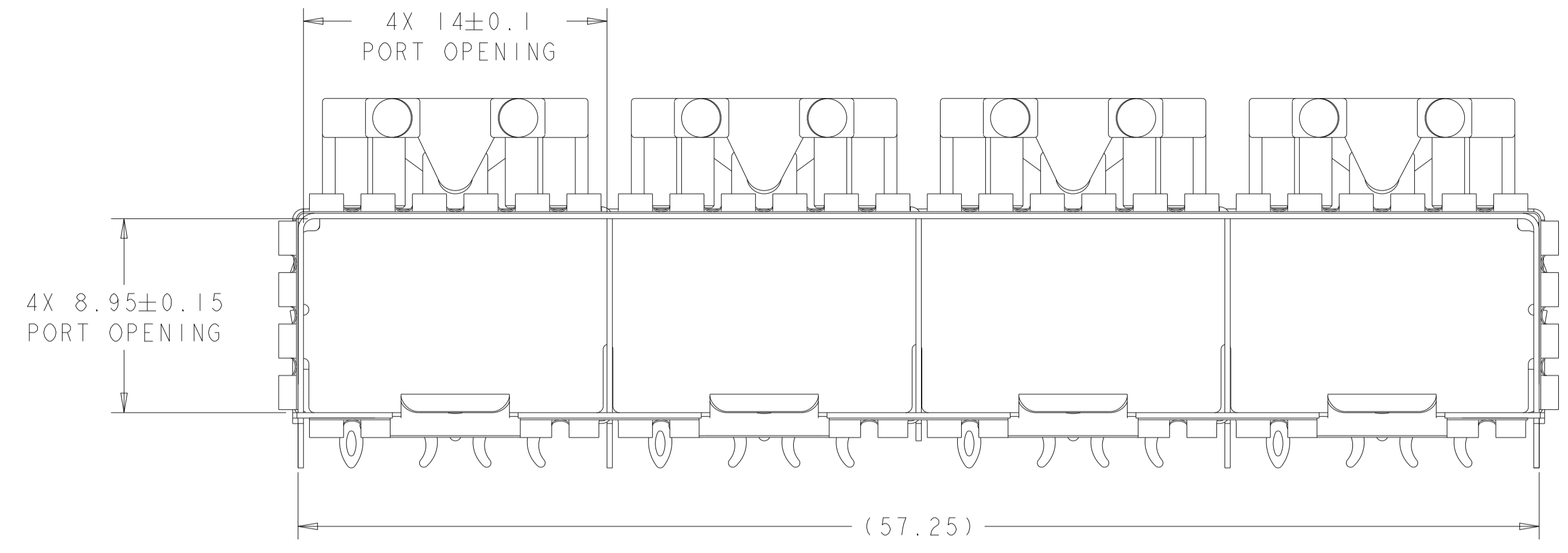
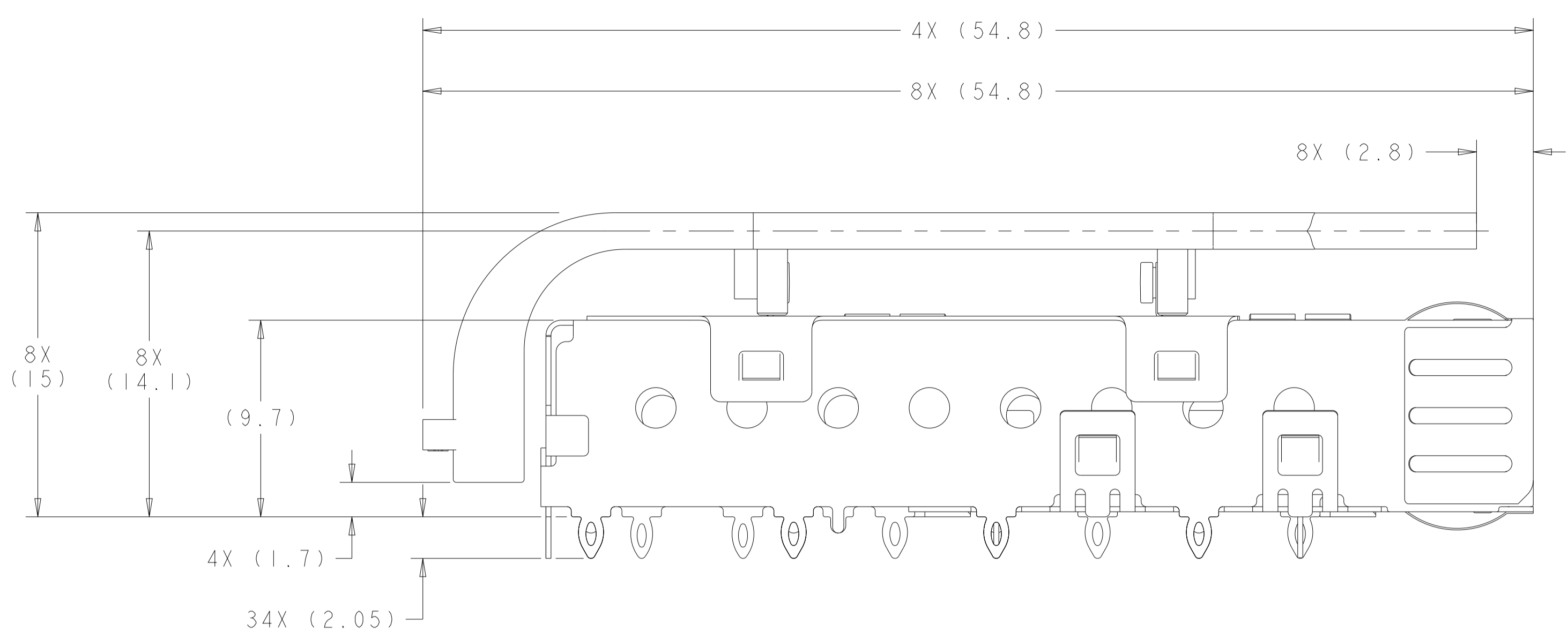
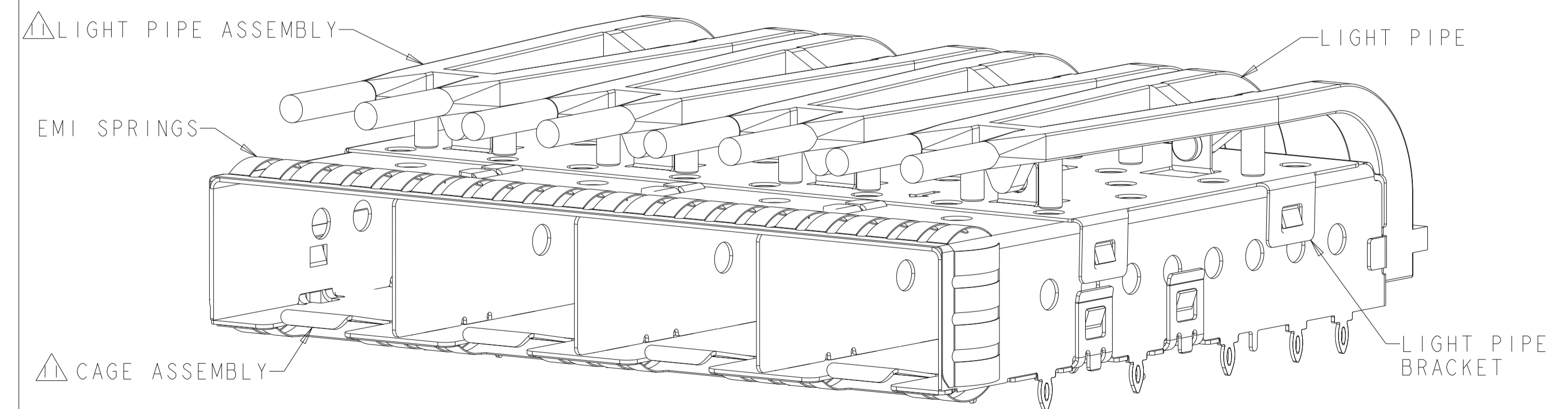


LOC		DIST		REVISIONS			
P	LTN	DESCRIPTION	DATE	DMN	APVD		
A		RELEASED PER ECO-14-000529	14JAN2014	JZ	SH		
A1		REMOVE 'PRELIMINARY' MARK	03SEP2018	IT	SH		
A2		-2 NEW PN ADDED	07JUN2024	KH	SZ		



- △ MATERIAL:
 CAGE ASSEMBLY: NICKEL SILVER ALLOY
 EMI SPRINGS: COPPER ALLOY
 LIGHT PIPE BRACKET: STAINLESS STEEL
 LIGHT PIPE: POLYCARBONATE, CLEAR
- △ FINISH:
 SPRINGS: MINIMUM OF 0.8um TIN PLATE OVER A MINIMUM OF 0.8um NICKEL UNDERPLATE.
 NON-PLATED EDGES PERMISSIBLE.
- △ PADS AND VIAS CHASSIS GROUND.
- △ DATUM AND BASIC DIMENSION ESTABLISHED BY CUSTOMER.
- 5. MATES WITH SFP MSA COMPLIANT TRANSCEIVERS.
- 6. INTERPRETATION OF DATUM REFERENCE FRAME IN ACCORDANCE WITH SECT 4.4.1.1 OF ASME Y14.5M-1994.
- △ REFERENCE APPLICATION SPEC. 114-13120, HOLE A, FOR RECOMMENDED DRILL HOLE DIAMETER AND PLATING THICKNESS.
- △ REFERENCE APPLICATION SPEC. 114-13120, HOLE B, FOR RECOMMENDED DRILL HOLE DIAMETER AND PLATING THICKNESS.
- △ HOLE PATTERN REPEATS FOR EACH PORT. SPACING BETWEEN PORTS IS 14.25mm.
- △ MINIMUM PCB THICKNESS:
 SINGLE SIDED = 1.5mm
 DOUBLE SIDED = 2.25mm
- △ LIGHT PIPE ASSEMBLY SHIPPED UNASSEMBLED TO CAGE ASSEMBLY. CAGE ASSEMBLY TO BE PRESSED INTO THE PCB PRIOR TO ATTACHING THE LIGHT PIPE ASSEMBLY TO THE CAGE.
- 12. CERTAIN MATING TRANSCEIVERS MAY REQUIRE ADDITIONAL PCB THICKNESS THAT WOULD NEED TO BE DETERMINED BY THE CUSTOMER.



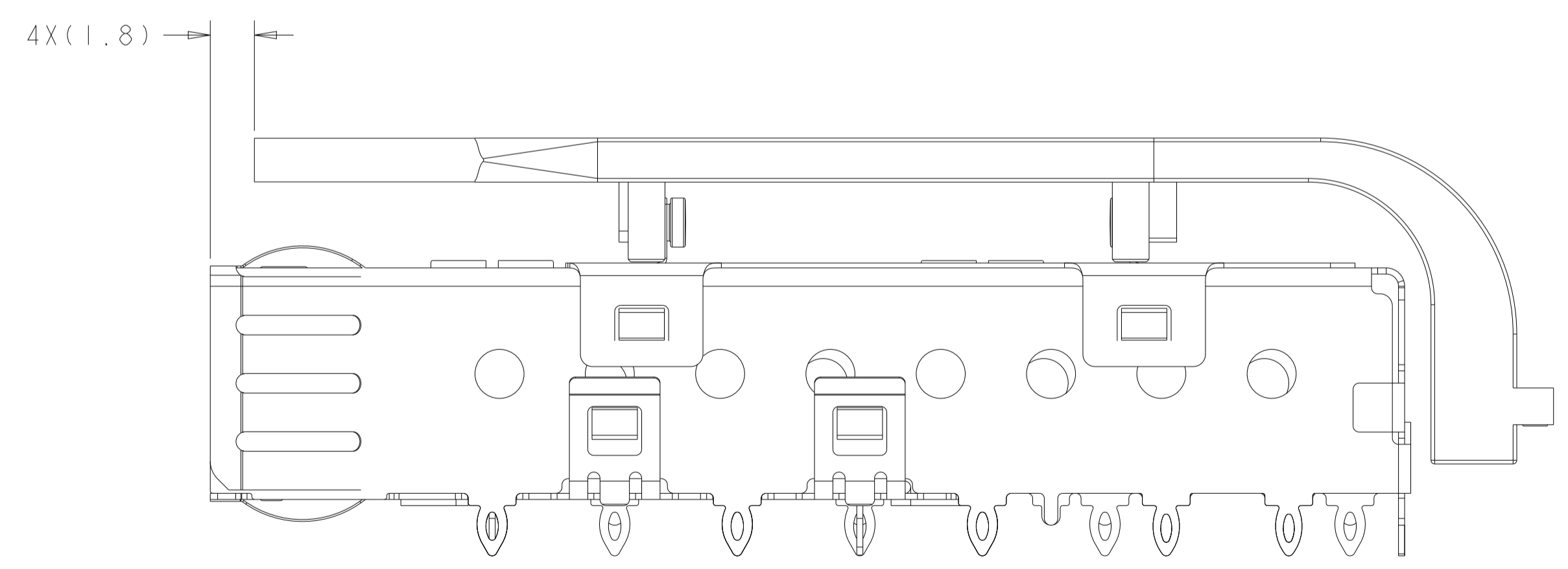
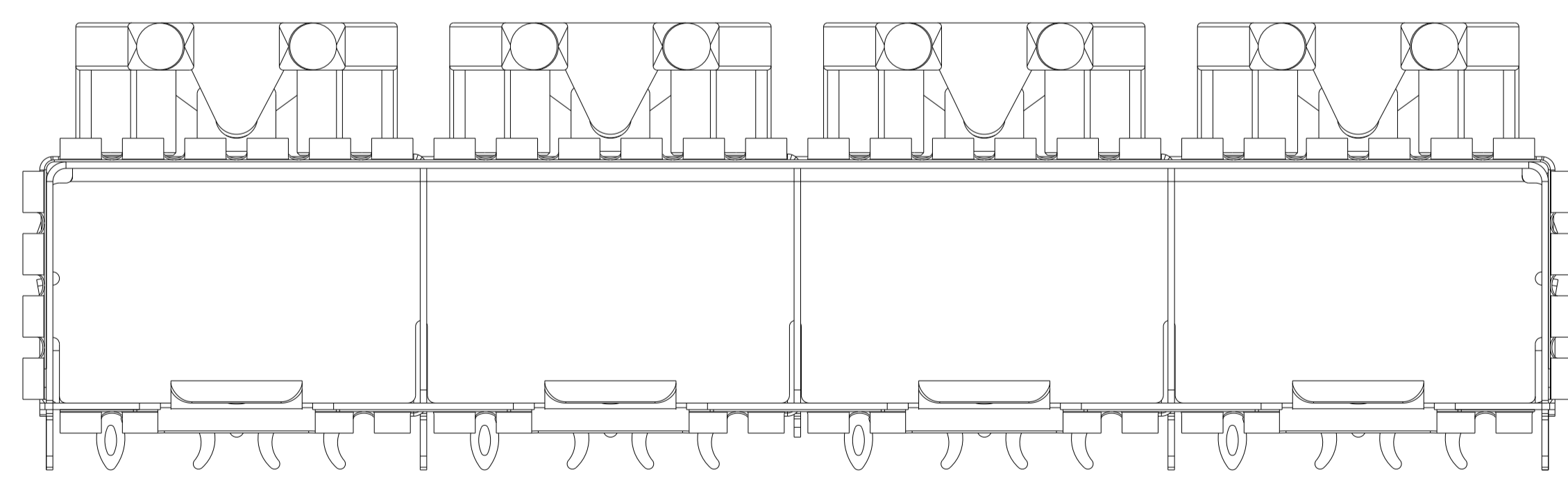
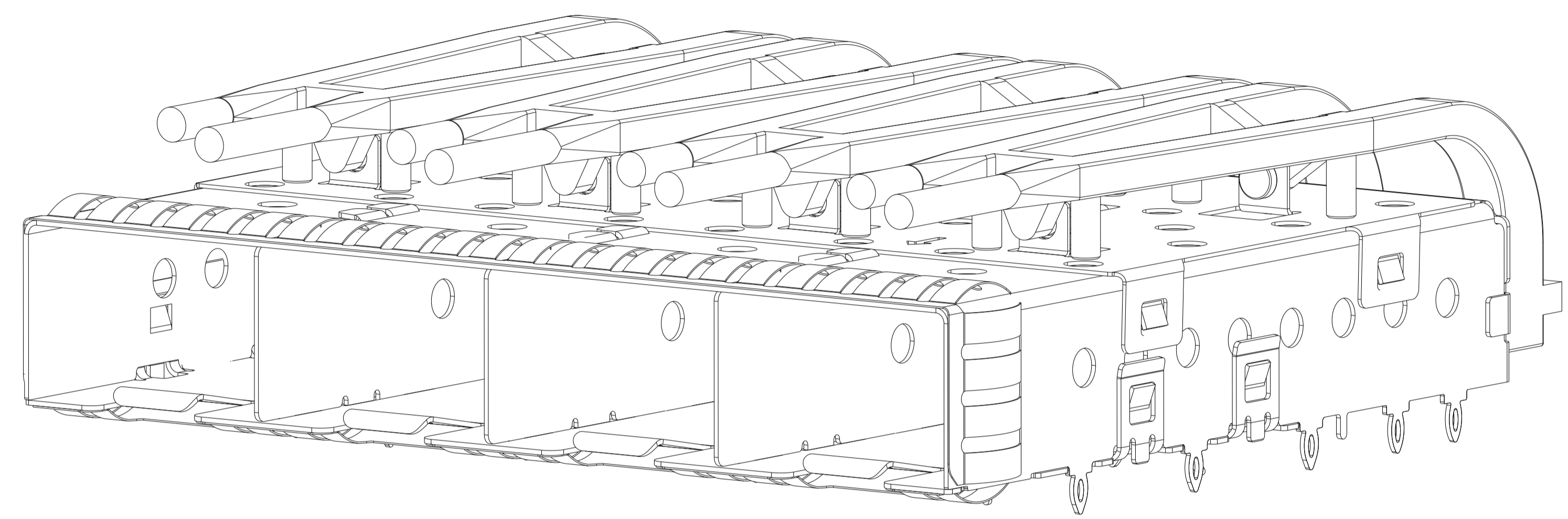
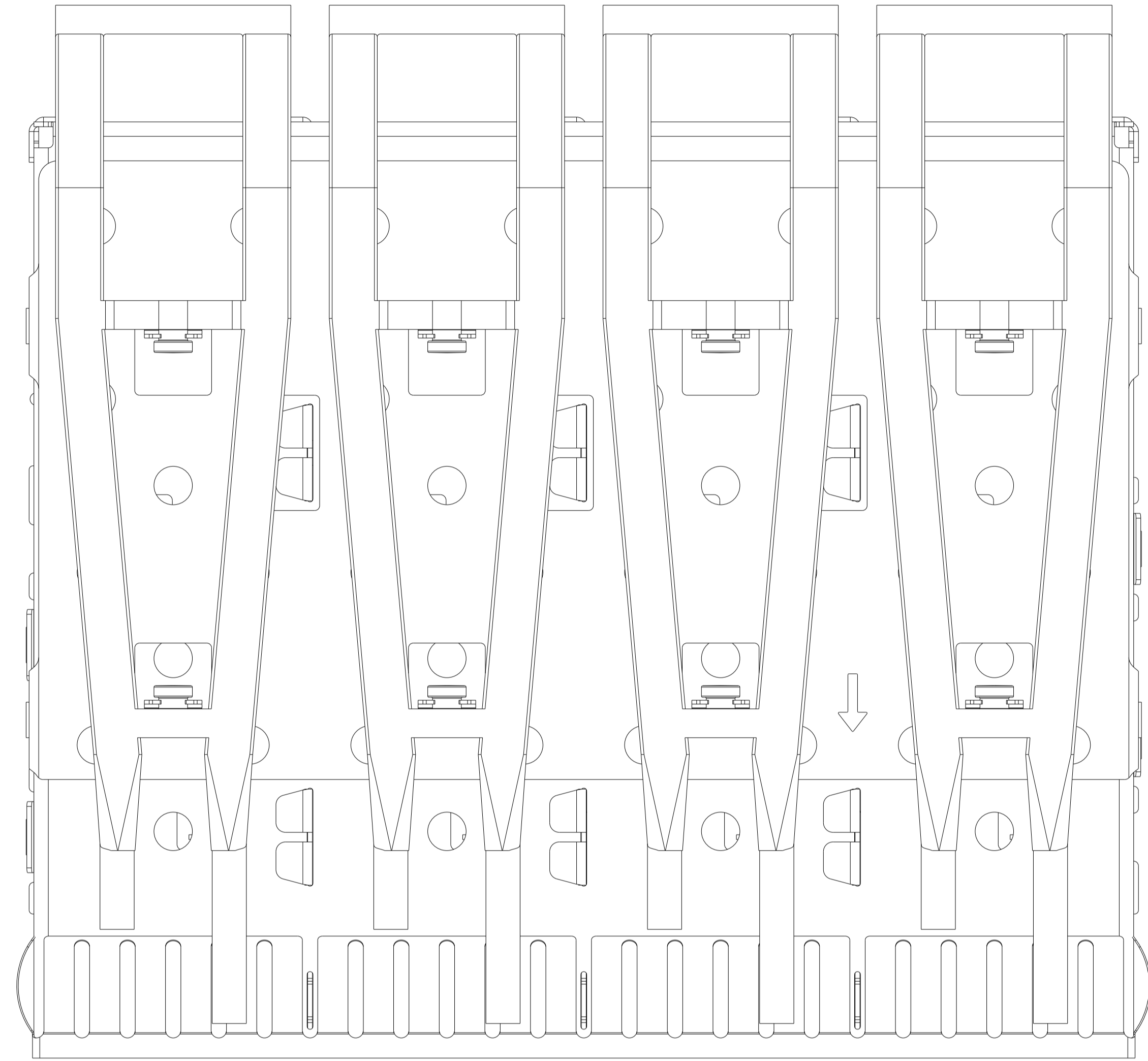
2110069-1
 SCALE 4:1

2110069-1
 PART NUMBER

THIS DRAWING IS A CONTROLLED DOCUMENT.		DMN Z. M. REAM 16JAN2009	TE Connectivity
DIMENSIONS:		CHK M. R. SCHMITT 16JAN2009	
mm	TOLERANCES UNLESS OTHERWISE SPECIFIED:	APVD R. H. WERTZ 16JAN2009	NAME
0 PLC ±0.1	1 PLC ±0.1	PRODUCT SPEC	SFP+ 1X4 CAGE ASSEMBLY
2 PLC ±0.1	3 PLC ±0.1	APPLICATION SPEC	PRESS-FIT, EXTERNAL EMI SPRINGS
4 PLC ±0.1	ANGLES ±1°	114-13120	W/ REDUCED LENGTH LIGHT PIPE
MATERIAL	FINISH	WEIGHT	SIZE
			CAGE CODE DRAWING NO
			RESTRICTED TO
			A1 00779 C=2110069
		CUSTOMER DRAWING	SCALE 5:1 SHEET 1 OF 5 REV A2

LOC		DIST		REVISIONS			
GP	00	P	LYR	DESCRIPTION	DATE	DWN	APVD
		-		SEE SHEET 1	-	-	-

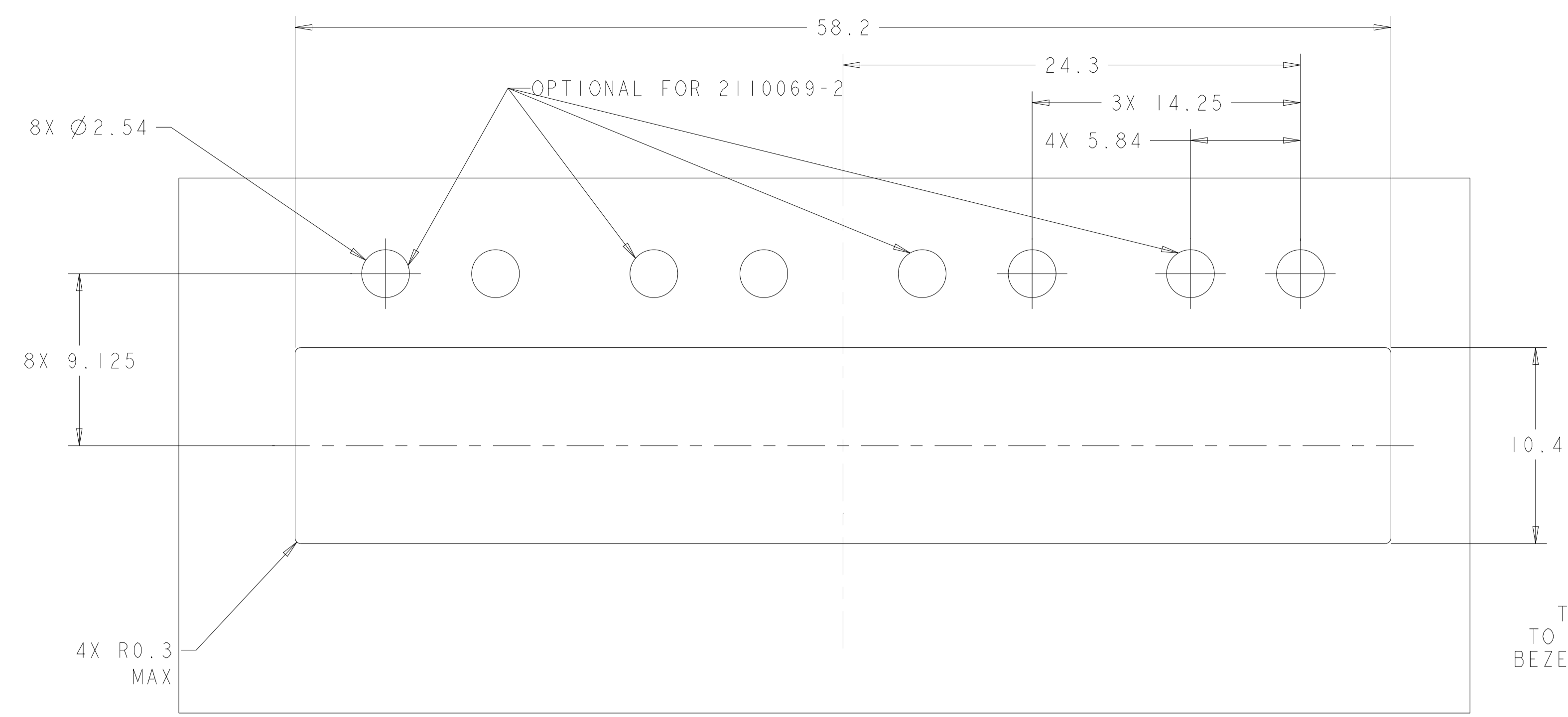
2110069-2 AS SHOWN
UNSPECIFIED DIMENSIONS ARE SAME AS -1



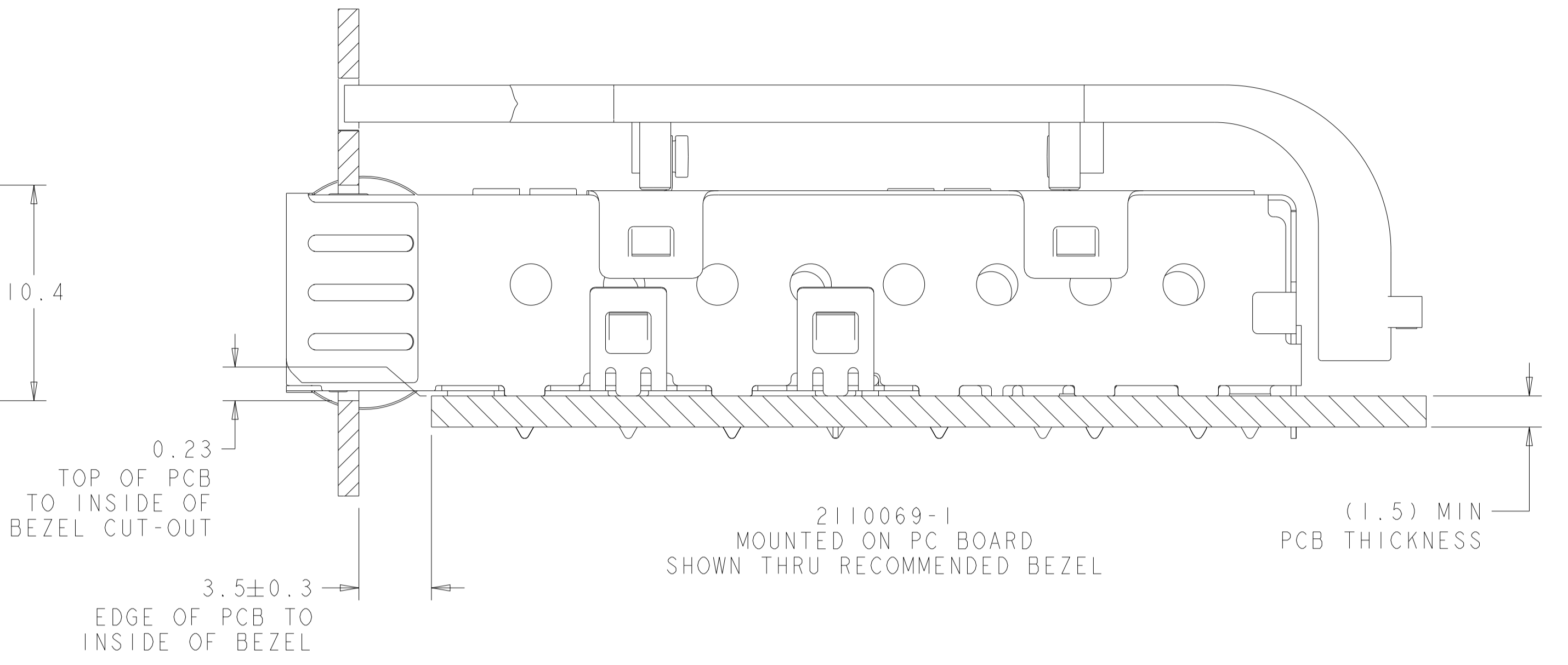
2110069-2
PART
NUMBER

THIS DRAWING IS A CONTROLLED DOCUMENT.		DWN	Z. M. REAM	16 JAN 2009	 TE Connectivity	NAME SFP+ 1X4 CAGE ASSEMBLY PRESS-FIT, EXTERNAL EMI SPRINGS W/ REDUCED LENGTH LIGHT PIPE							
DIMENSIONS:		CHK	M. R. SCHMITT	16 JAN 2009									
mm		APVD	R. H. WERTZ	16 JAN 2009									
0 PLC ±0.1 1 PLC ±0.1 2 PLC ±0.1 3 PLC ±0.1 4 PLC ±0.1 ANGLES ±1° FINISH		PRODUCT SPEC 108-2364 APPLICATION SPEC 114-13120		SIZE A1			CAGE CODE 00779	DRAWING NO C=2110069	RESTRICTED TO -				
MATERIAL		WEIGHT		CUSTOMER DRAWING		SCALE	5:1	SHEET	2	OF	5	REV	A2

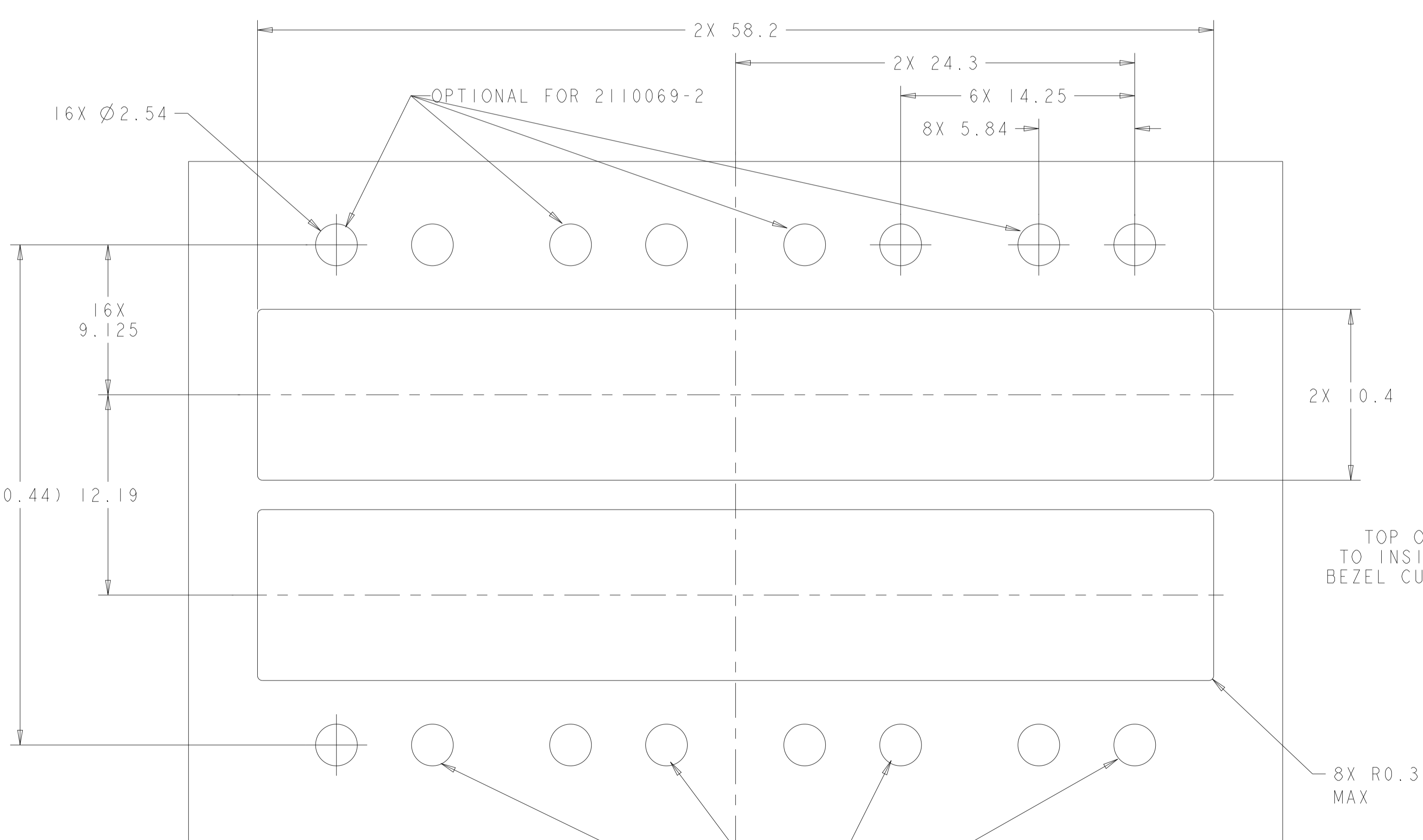
LOC		DIST		REVISIONS				
GP	00	P	LTN	DESCRIPTION	DATE	OWN	APVD	
-	-	-	-	SEE SHEET 1	-	-	-	



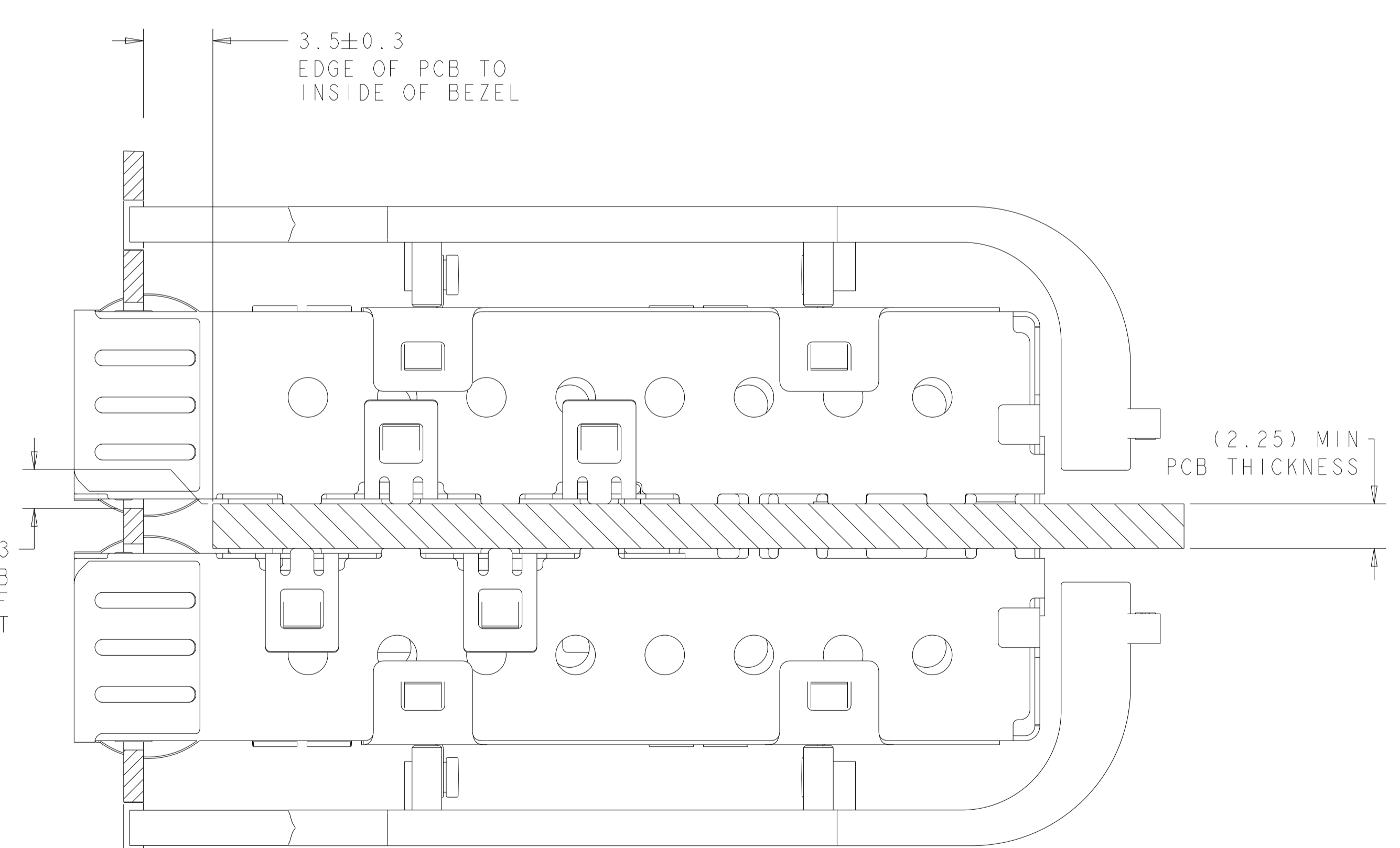
RECOMMENDED BEZEL CUT-OUT
SINGLE SIDED APPLICATIONS



2110069-1
MOUNTED ON PC BOARD
SHOWN THRU RECOMMENDED BEZEL



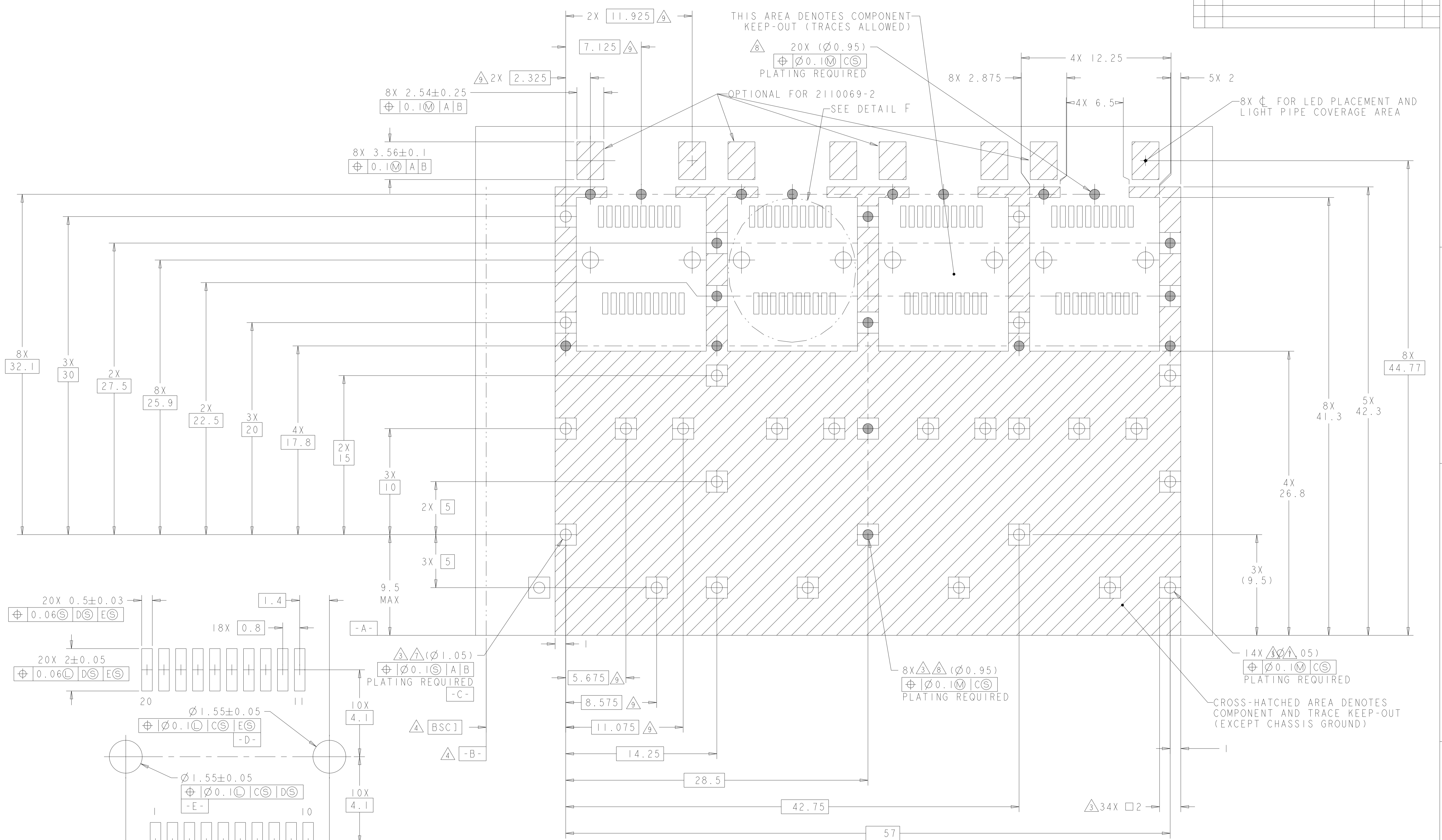
RECOMMENDED BEZEL CUT-OUT
BELLY TO BELLY APPLICATIONS



2110069-1
MOUNTED BELLY TO BELLY ON PC BOARD
SHOWN THRU RECOMMENDED BEZEL

THIS DRAWING IS A CONTROLLED DOCUMENT.		OWN Z. M. REAM 16 JAN 2009	TE Connectivity	
DIMENSIONS:		CHK M. R. SCHMITT 16 JAN 2009		
TOLERANCES UNLESS OTHERWISE SPECIFIED:		APVD R. H. WERTZ 16 JAN 2009	NAME SFP+ 1X4 CAGE ASSEMBLY PRESS-FIT, EXTERNAL EMI SPRINGS W/ REDUCED LENGTH LIGHT PIPE	
mm	0 PLC ±0.1 1 PLC ±0.1 2 PLC ±0.1 3 PLC ±0.1 4 PLC ±0.1 ANGLES ±1°	PRODUCT SPEC 108-2364 APPLICATION SPEC 114-13120	SIZE A100779C=2110069	
MATERIAL	FINISH	WEIGHT	RESTRICTED TO	
CUSTOMER DRAWING		SCALE 5:1	SHEET 3 OF 5 REV A2	

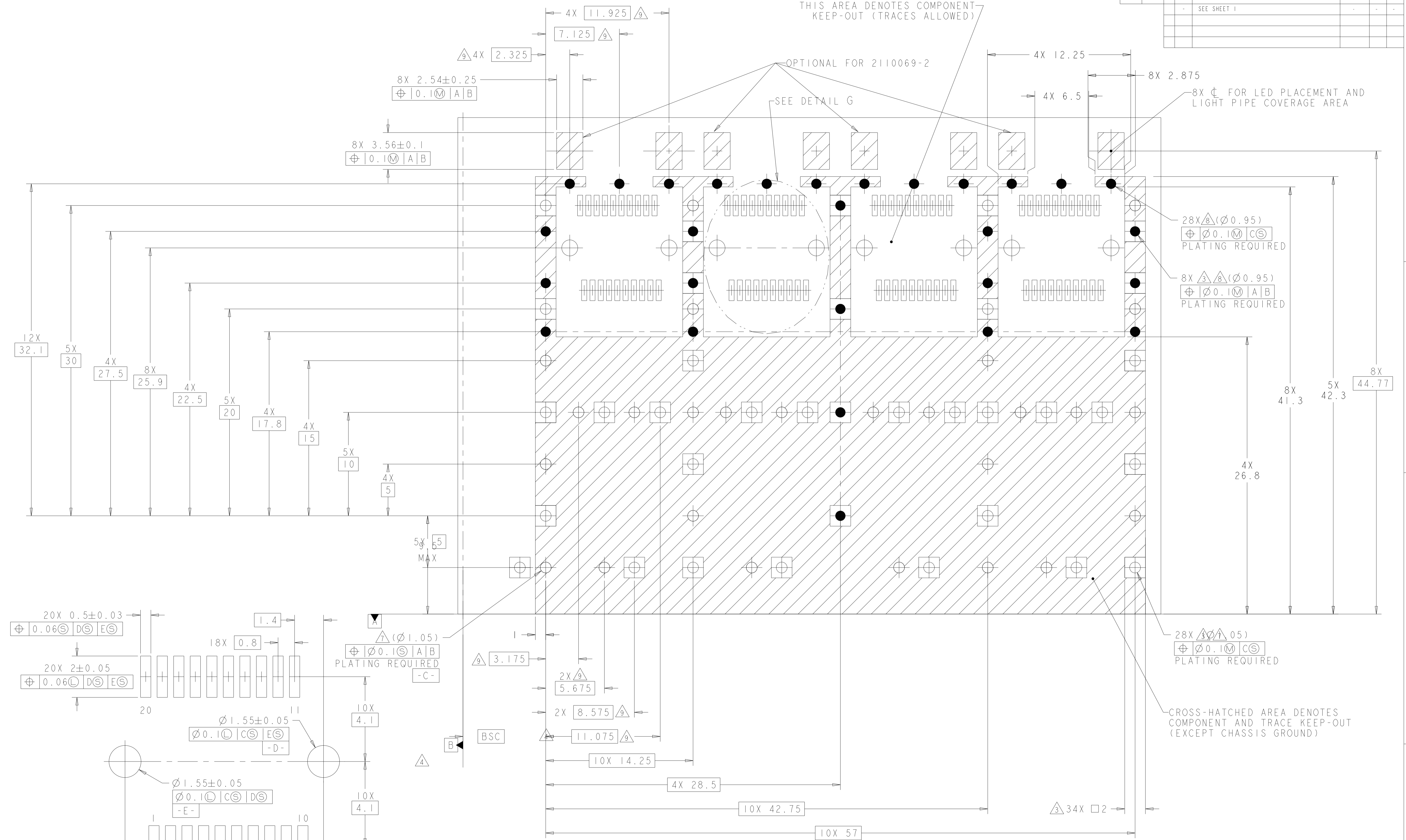
LOC	DIST	REVISIONS			
GP	00	REV	DATE	BY	APPV
		1	SEE SHEET 1		



RECOMMENDED PCB CONFIGURATION WITH KEEP-OUT AREAS
SINGLE SIDED APPLICATIONS
SCALE 6:1

THIS DRAWING IS A CONTROLLED DOCUMENT.		OWN: Z. M. REAM 16 JAN 2009	TE Connectivity
DIMENSIONS: mm		CHK: M. R. SCHMITT 16 JAN 2009	
TOLERANCES UNLESS OTHERWISE SPECIFIED:		APPV: B. H. WERTZ 16 JAN 2009	NAME: SFP+ 1X4 CAGE ASSEMBLY
0 PLC ±0.1	1 PLC ±0.1	PRODUCT SPEC: 108-2364	PRESS-FIT, EXTERNAL EMI SPRINGS
2 PLC ±0.1	3 PLC ±0.1	APPLICATION SPEC: 114-13120	W/ REDUCED LENGTH LIGHT PIPE
4 PLC ±0.1	ANGLES ±1°	WEIGHT: -	SIZE: A1
MATERIAL: -	FINISH: -	CUSTOMER DRAWING: -	CAGE CODE: 00779
		SCALE: 5:1	DRAWING NO: 2110069
		SHEET: 4 OF 5	REV: A2

LOC	DIST	REV	DESCRIPTION	DATE	OWN	APVD
GP	00		SEE SHEET 1			



RECOMMENDED PCB CONFIGURATION WITH KEEP-OUT AREAS BELLY TO BELLY APPLICATIONS
SCALE 6:1

THIS DRAWING IS A CONTROLLED DOCUMENT.		OWN: Z. M. REAM 16 JAN 2009	TE Connectivity
DIMENSIONS: mm		CHK: M. R. SCHMITT 16 JAN 2009	
TOLERANCES UNLESS OTHERWISE SPECIFIED:		APVD: R. H. WERTZ 16 JAN 2009	NAME: SFP+ 1X4 CAGE ASSEMBLY
0 PLC	±0.1	PRODUCT SPEC	PRESS-FIT, EXTERNAL EMI SPRINGS
1 PLC	±0.1	108-2364	W/ REDUCED LENGTH LIGHT PIPE
2 PLC	±0.1	APPLICATION SPEC	SIZE: CAGE CODE DRAWING NO. RESTRICTED TO
3 PLC	±0.1	114-13120	A100779C=2110069
4 PLC	±0.1	WEIGHT	CUSTOMER DRAWING
ANGLES	±1°	SCALE	5:1
FINISH		SHEET	5 of 5
		REV	A2