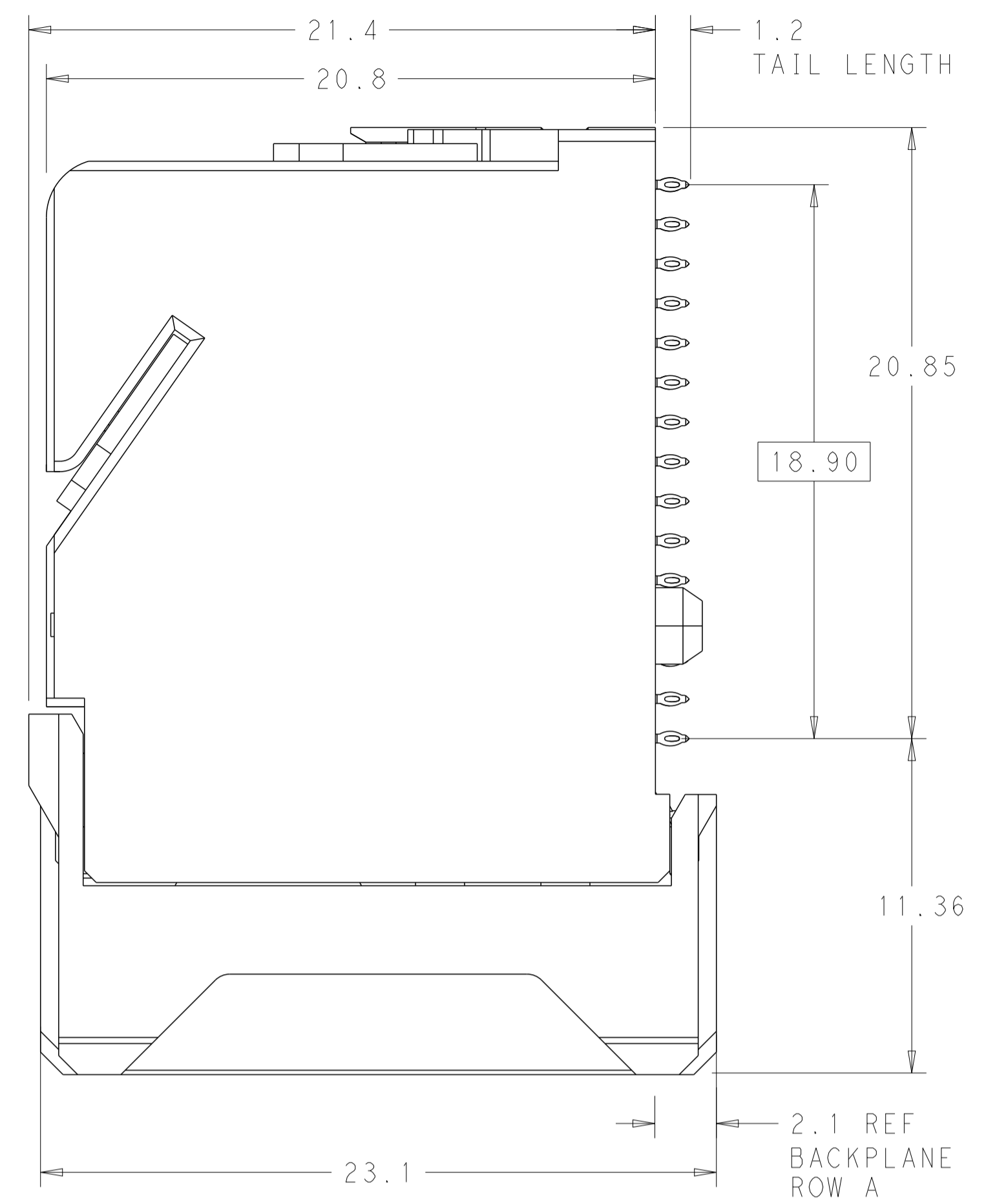
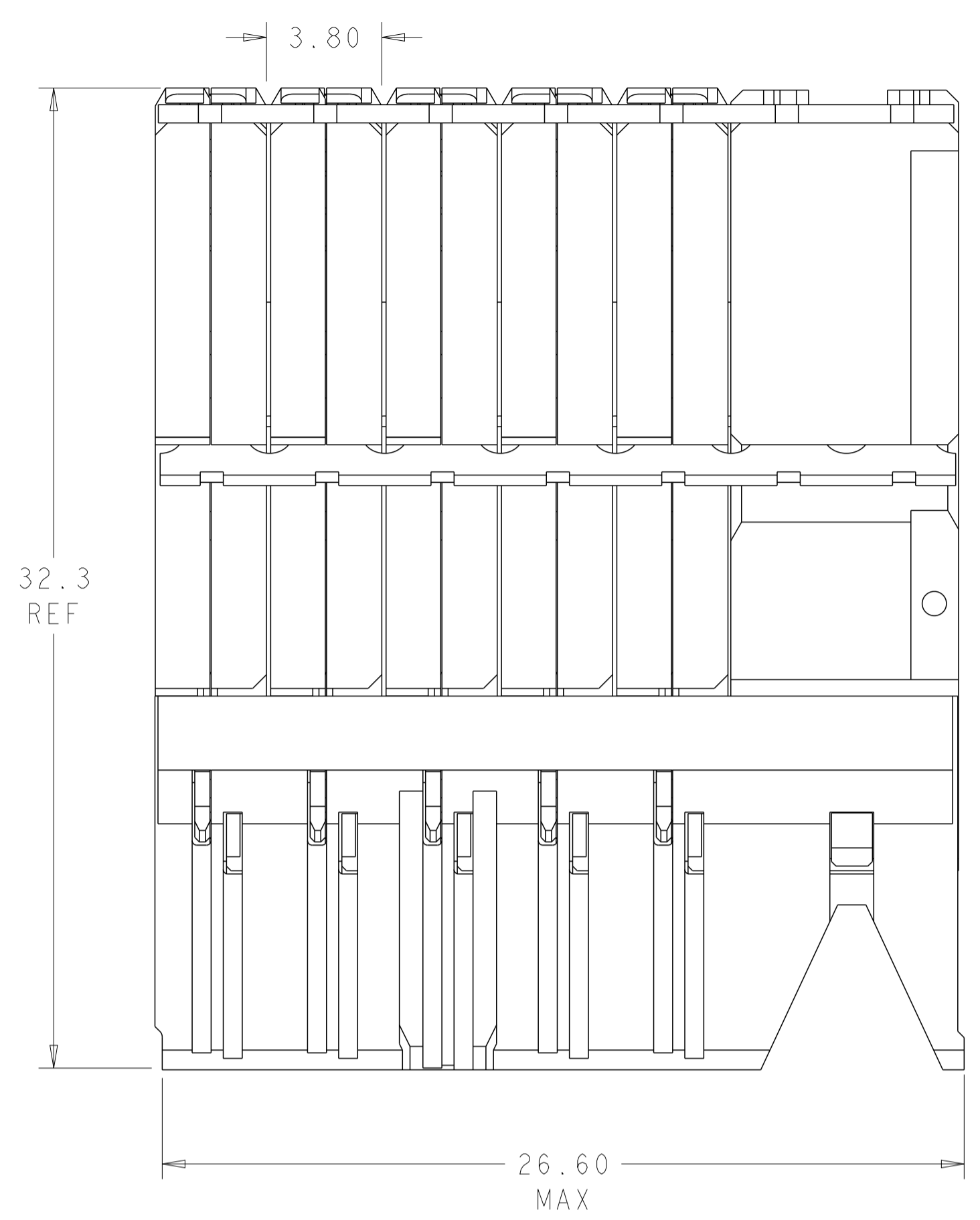
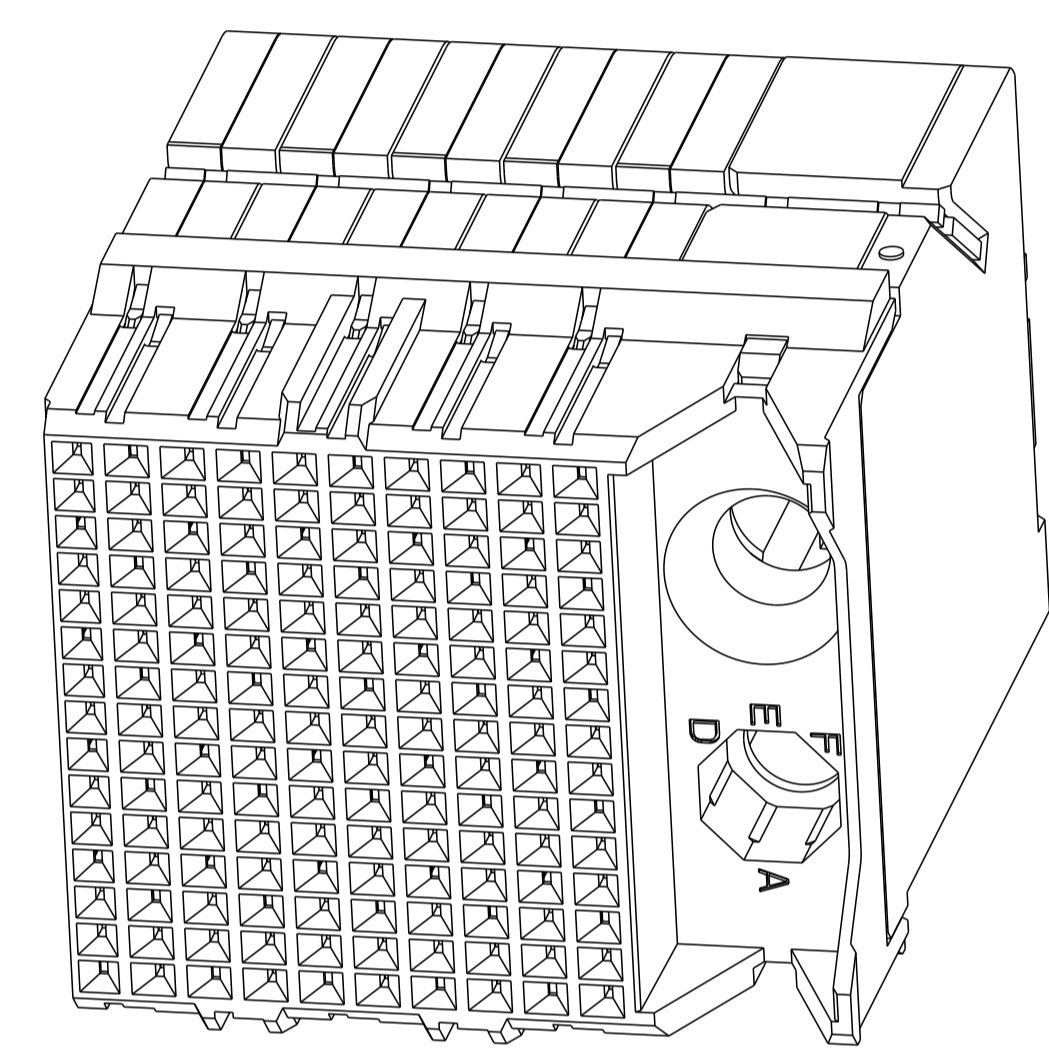


REVISIONS				
P	LTN	DESCRIPTION	DATE	OWN APVD
C2		REVISED PER ECO-15-004915	09APR2015	AP DD
C3		REVISED PER ECN-24-252171	20FEB2024	AP RS

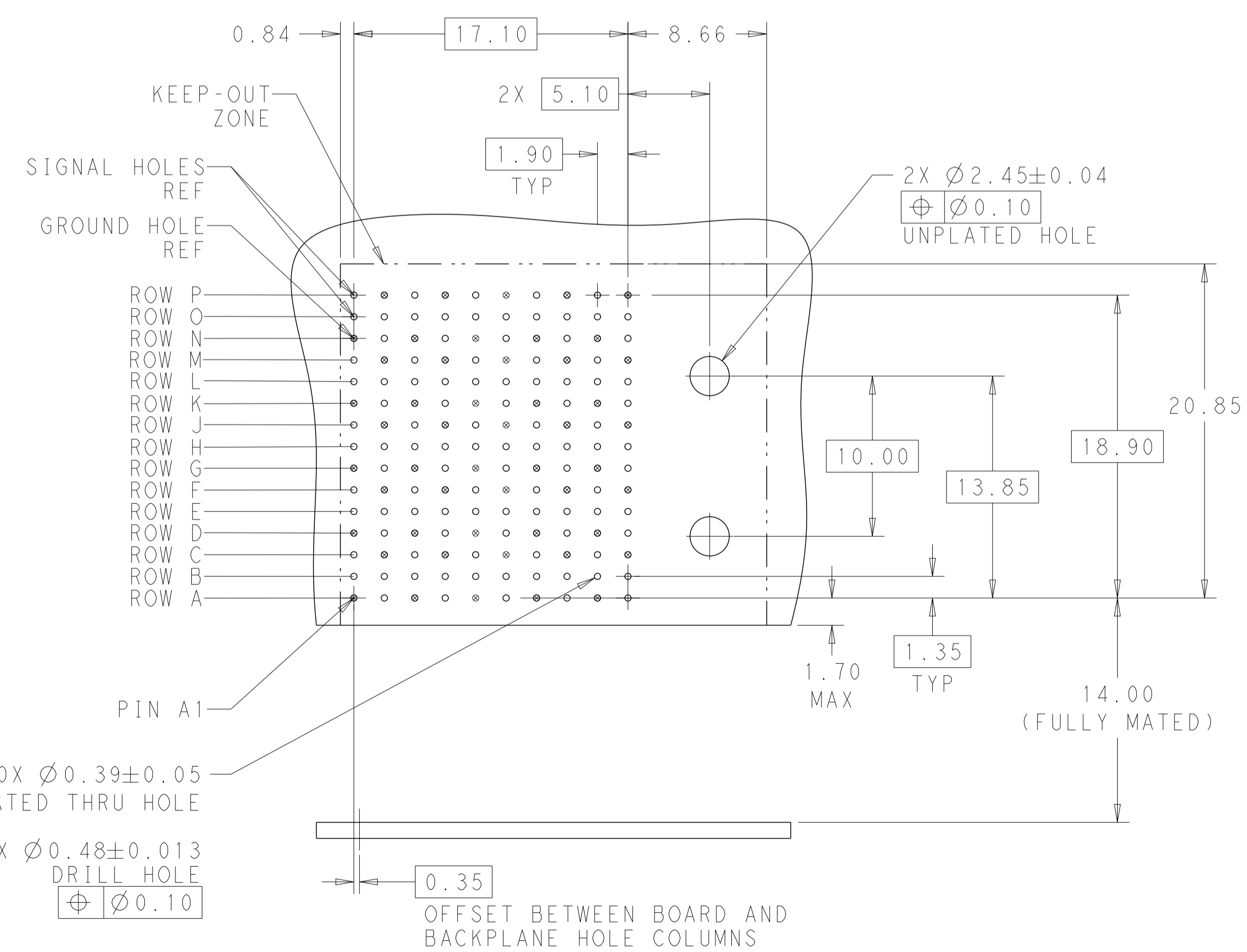
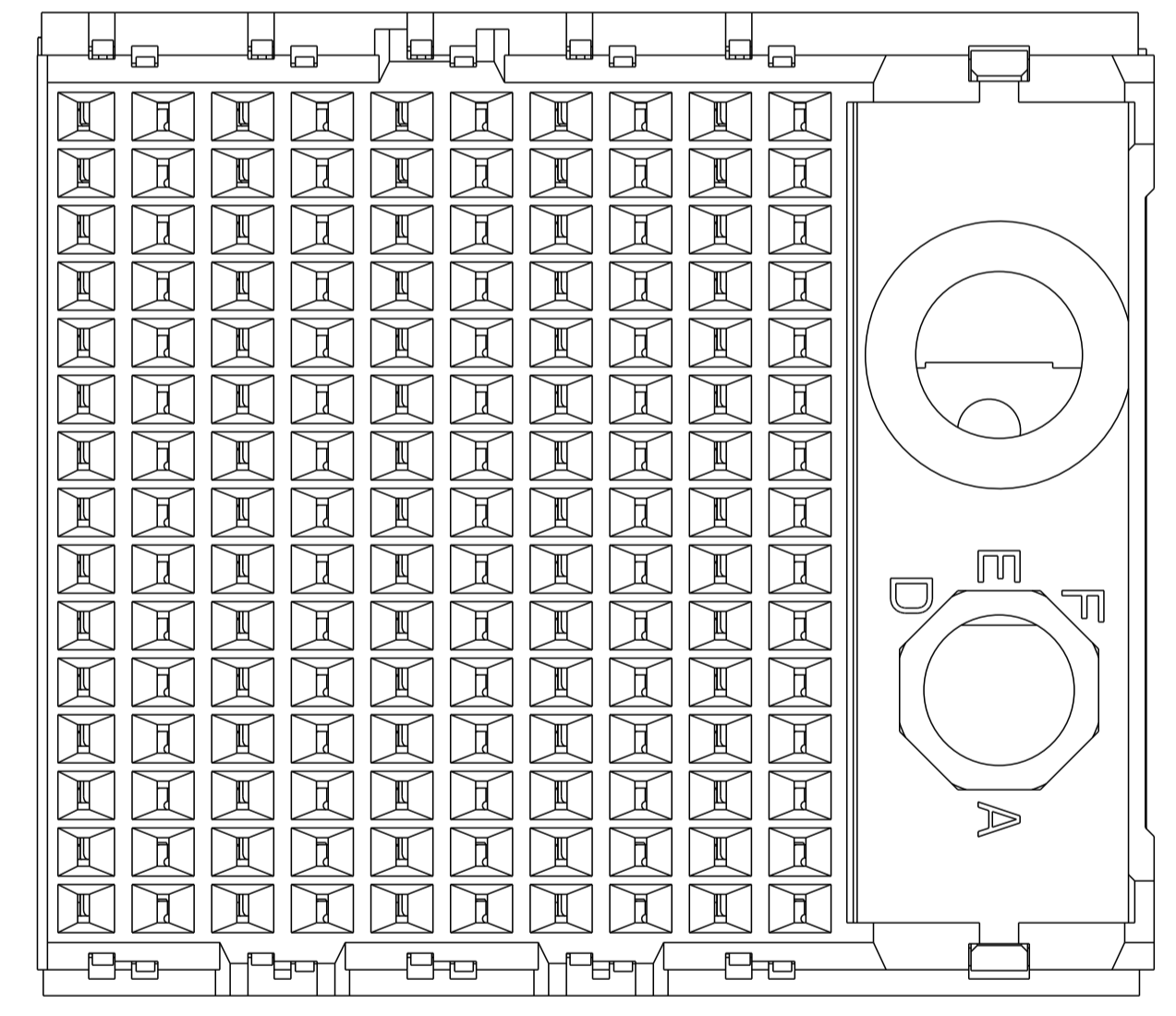


- ⚠ MATERIAL:
HOUSING: LCP, GLASS FILLED, UL94V-0.
TERMINALS: HIGH PERFORMANCE COPPER ALLOY.
- ⚠ FINISH:
30μ" SELECTIVE GOLD IN CONTACT AREA. SELECTIVE TIN ON PCB TAILS, NICKEL OVERALL.
- 3. CONNECTORS SUPPLIED WITH MOUNTING SCREW.



SCALE 4:1

REFER TO WWW.TE.COM FOR PRODUCT AVAILABILITY



KEY POSITION CHART	
	NONE
	A
	B
	C
	D
	E
	F
	G
	H

150X $\varnothing 0.39 \pm 0.05$ PLATED THRU HOLE
 150X $\varnothing 0.48 \pm 0.013$ DRILL HOLE
 $\varnothing 0.10$

RECOMMENDED PCB LAYOUT
 MIN BOARD THICKNESS 1.0

OBSOLETE	H	⚠	8-2110105-1
	G	⚠	7-2110105-1
	F	⚠	6-2110105-1
	E	⚠	5-2110105-1
	D	⚠	4-2110105-1
	C	⚠	3-2110105-1
	B	⚠	2-2110105-1
	A	⚠	1-2110105-1
	NONE	⚠	2110105-1
	KEY POSITION	FINISH	PART NUMBER

THIS DRAWING IS A CONTROLLED DOCUMENT.

DIMENSIONS:	TOLERANCES UNLESS OTHERWISE SPECIFIED:	OWN J. K. SHOBER 14FEB2011	NAME
mm	0 PLC ±0.2	CHK D. DIXON 14FEB2011	IMPACT, 5 PAIR, DAUGHTERCARD
	2 PLC ±0.13	APVD D. DIXON 14FEB2011	10 COLUMN, RIGHT GUIDED, SIGNAL
	3 PLC ±0.13		MODULE, 0.39 EYELET
MATERIAL	FINISH	WEIGHT	SIZE CAGE CODE DRAWING NO RESTRICTED TO
SEE TABLE	SEE TABLE	A100779C=2110105	
		CUSTOMER DRAWING	SCALE 6:1 SHEET 1 OF 1 REV C3

TE Connectivity