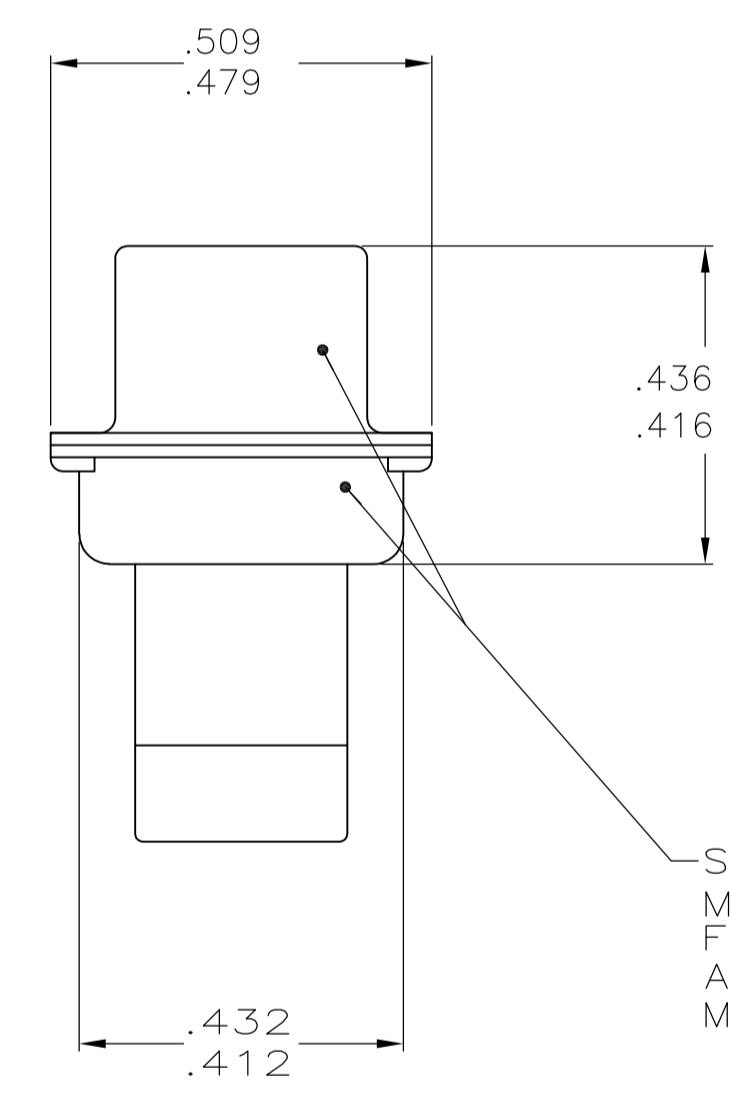
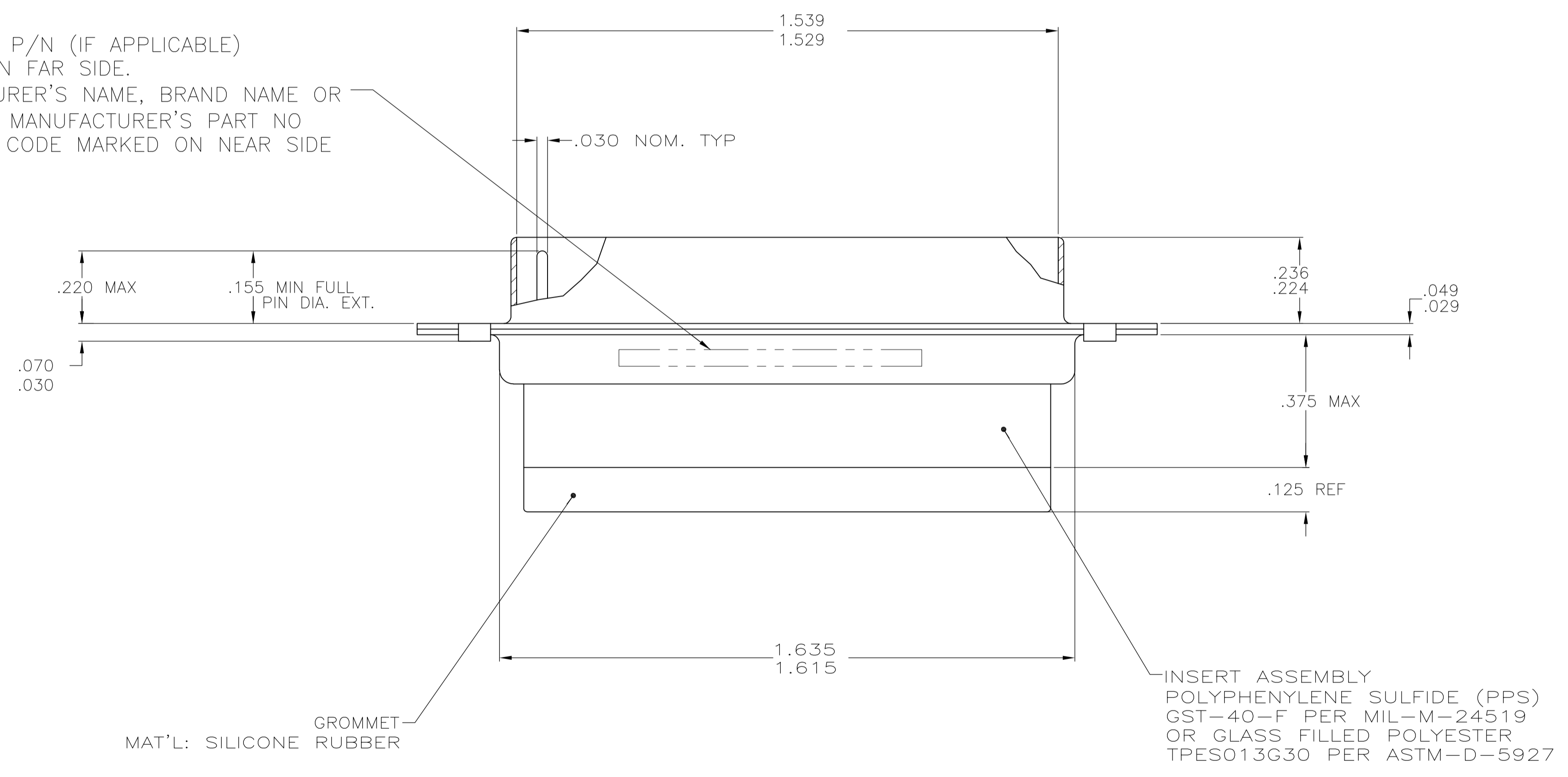


- THIS PLUG WILL MATE WITH ANY SIZE 3, 44 POSN. RCPT. IN AMPLIMITE SERIES.
  - OVERALL DIMENSIONS DO NOT INCLUDE RAISED CAVITY IDENTIFICATION.
  - BE-CU RETENTION CLIPS ARE INCLUDED AND INSTALLED WITH TINES POINTING TOWARDS MATING FACE.
  - CONNECTOR SUPPLIED WITHOUT CONTACTS; SHOWN FOR ILLUSTRATION ONLY.
  - MARKING FAR SIDE REFERS TO WIDE SIDE OF KEYSTONE. NEAR SIDE REFERS TO NARROW SIDE OF KEYSTONE.
- ⚠ 100% INSPECTION REQUIRED PER BOEING 1B01:
    - A. VISUAL
    - B. DWV
    - C. IR
  - ⚠ CUSTOMER REQUIRES SINGLE LOT DATE CODE.
  - ⚠ SPECIAL REQUIREMENTS:
    - A. TEST TWO CONNECTORS PER LOT FOR COMPLIANCE TO GROMMET PEEL STRENGTH REQUIREMENTS.
    - B. TEST ALL CIRCUIT CAVITIES FOR MISALIGNMENT OR EXCESSIVE ADHESIVE.

CUSTOMER P/N (IF APPLICABLE) MARKED ON FAR SIDE. MANUFACTURER'S NAME, BRAND NAME OR LOGO AND MANUFACTURER'S PART NO AND DATE CODE MARKED ON NEAR SIDE



SHELL, FRONT & REAR  
 MAT'L: BRASS PER ASTM B-19  
 FINISH: .0000050 MIN GOLD PLATED PER ASTM-B-488 OVER .000100 MIN COPPER PER AMS 2418

⚠ - ⚠	1B01-033PHW	1-211675-1
-	-	211675-4
⚠ - ⚠	2A065-015V	211675-2
⚠	1B01-033	211675-1
REMARKS	CUSTOMER PART NO.	PART NO.

THIS DRAWING IS A CONTROLLED DOCUMENT.		DIN J. KAISER 3-11-04		TE Connectivity	
DIMENSIONS: INCHES		CIRK L. OH 3-25-04			
TOLERANCES UNLESS OTHERWISE SPECIFIED:		APVD L. OH 3-25-04		NAME	
0 PLC ± -		PRODUCT SPEC		PLUG ASSY, AMPLIMITE, 44	
1 PLC ± -		APPLICATION SPEC		POSN., SIZE 3, SERIES 90,	
2 PLC ± -		SIZE		NON-MAGNETIC, SPECIAL WITH GROMMET	
3 PLC ± .005 [0.13]		CAGE CODE		DRAWING NO	
4 PLC ± -		WEIGHT		RESTRICTED TO	
ANGLES ± -		A1 00779		C=211675	
FINISH SEE CALLOUTS		CUSTOMER DRAWING		SCALE 4:1 SHEET 1 OF 1 REV K	