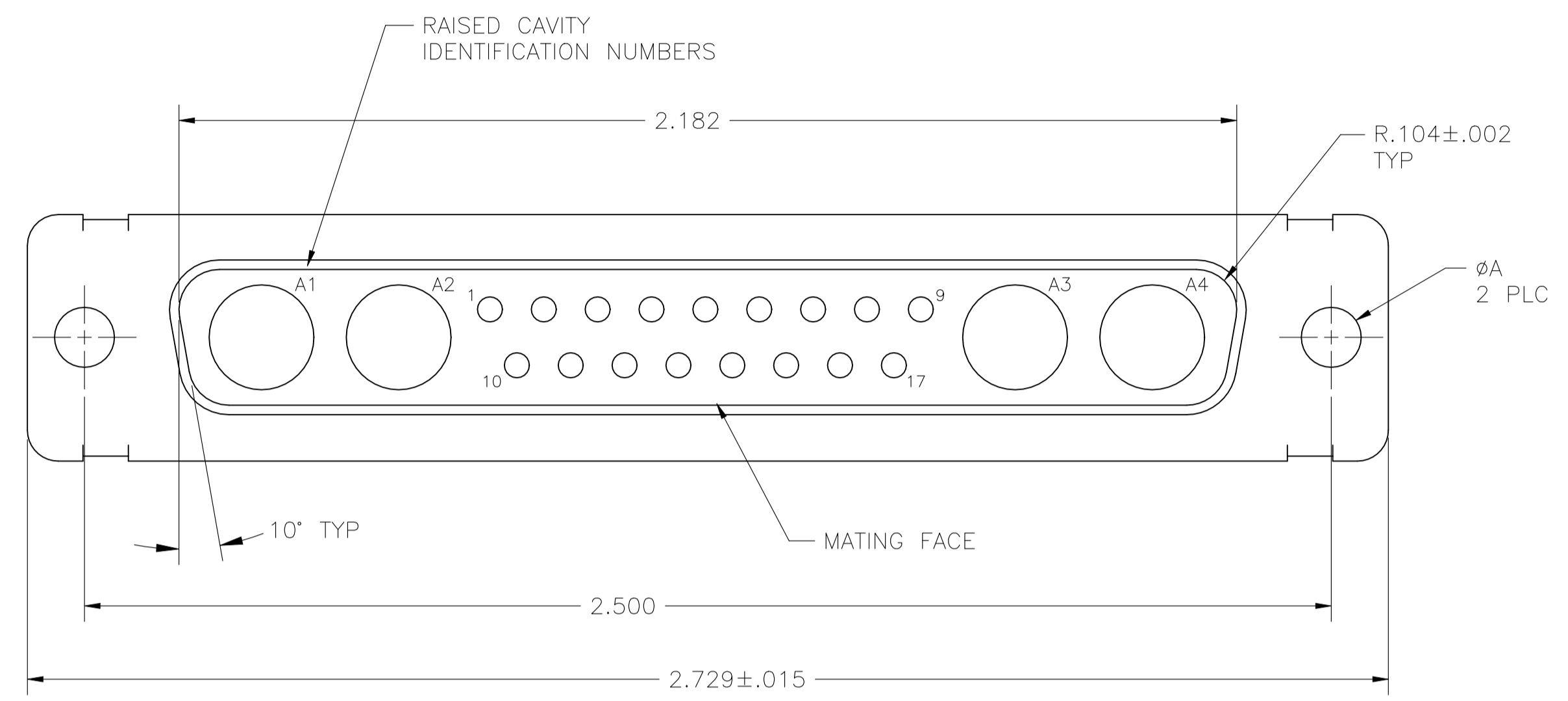
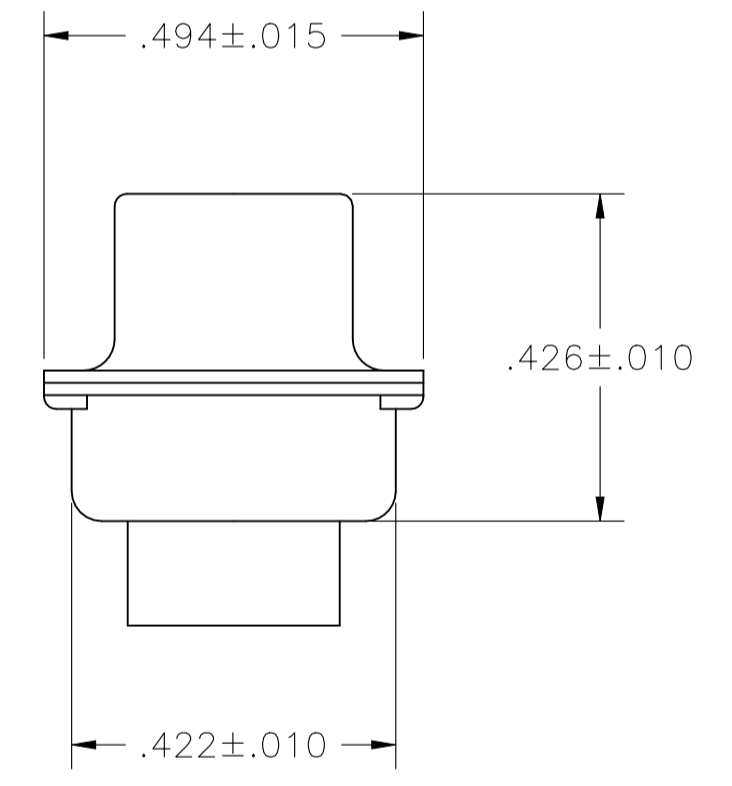
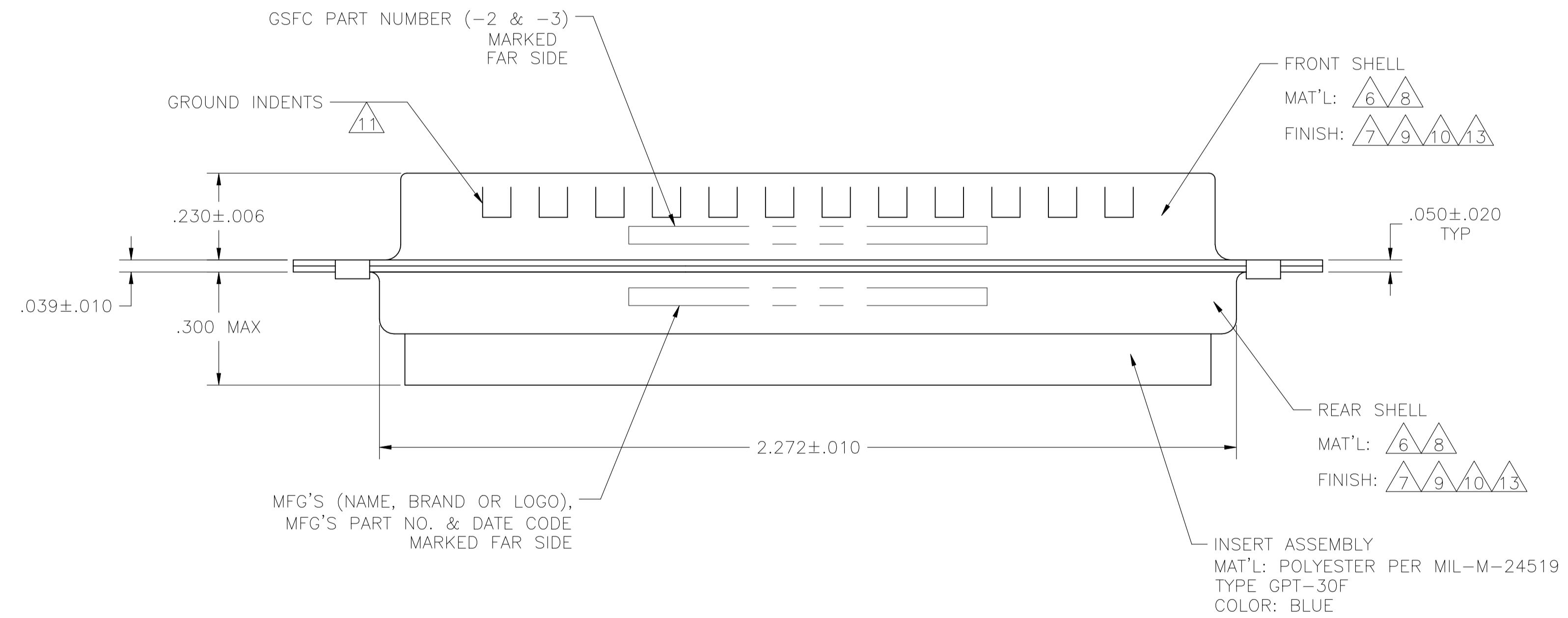


WARNING - THIS DOCUMENT CONTAINS TECHNOLOGY WHOSE EXPORT IS RESTRICTED BY THE EXPORT ADMINISTRATION REGULATIONS ("EAR") PURSUANT TO 15 C.F.R. PARTS 730-774. VIOLATIONS OF THE EAR ARE SUBJECT TO SEVERE CRIMINAL PENALTIES UNDER THE EXPORT CONTROL REFORM ACT, AS AMENDED (TITLE 50, U.S.C., SEC. 4801, ET SEQ.).

REVISIONS				
P	LTR	DESCRIPTION	DATE	APP'D
T		REVISED PER ECN-24-271164	17JUN2024	PE DS



- THIS PLUG WILL MATE WITH ANY 21C4, SIZE 4 RECEPTACLE IN AMPLIMITE SERIES.
  - MAXIMUM WIRE INSULATION TO BE USED WITH THIS PLUG IS  $\phi.072$ .
  - RETENTION CLIPS (17) ARE INCLUDED IN INSERT ASSEMBLY.
  - THIS CONNECTOR ACCEPTS SIZE 20 PIN CONTACTS, NOT PROVIDED, IN CAVITIES 1 THRU 17.
  - CAVITIES A1 THRU A4 ACCEPTS SIZE 8 POWER OR COAX PIN CONTACTS, NOT PROVIDED. RIGHT ANGLE COAX CONTACTS WILL NOT SEAT IN THIS CONNECTOR.
- 6 MATERIAL: STEEL PER ASTM-A-109.
  - 7 FINISH: CADMIUM PLATED PER QQ-P-416, TYPE II, CLASS 2.
  - 8 MATERIAL: BRASS PER ASTM-B-36.
  - 9 FINISH: GOLD PER MIL-G-45204, TYPE II, GRADE C, CLASS 1 OVER COPPER PER MIL-C-14550, CLASS IV.
  - 10 FINISH: TIN PER ASTM-B-545 .000400 MIN THK OVER COPPER PER AMS2418 .000050 MIN THK.
  - 11 GROUNDING INDENTS FOR 212530-4, 212530-5, & 5-212530-4 ONLY.
  - 12 212530-6 IS OBSOLETE.
  - 13 FINISH: ZINC PLATE PER ASTM-B-633 .000200-.000400 THK WITH SUPPLEMENTARY CHROMATE (Cr3+).



5-212530-4 OBSOLETED	6 11 10	.120	-	5-212530-4
5-212530-1 OBSOLETED	6 13	.120	-	5-212530-1
212530-6 OBSOLETED	6 10	.120	-	212530-6
212530-5 OBSOLETED	6 11 10	.120	-	212530-5
212530-4 OBSOLETED	6 10 11	.120	-	212530-4
212530-3 OBSOLETED	8 9	.154	311P405-18P-B-15	212530-3
212530-2 OBSOLETED	8 9	.120	311P405-18P-B-12	212530-2
	6 7	.120	-	212530-1
REMARKS	$\phi A$	GSFC P/N	PART NO.	

THIS DRAWING IS A CONTROLLED DOCUMENT.

DIMENSIONS: INCHES	TOLERANCES UNLESS OTHERWISE SPECIFIED:	DIN C.C. THOMAS 21-JAN-89	APPROVED: A. FMADI 27-JAN-88	NAME: PLUG ASSEMBLY AMPLIMITE 21C4 SIZE 4, SERIES 109, COAX MIX
0. PLC ± -	1. PLC ± -	2. PLC ± -	3. PLC ± .005(0.13)	4. PLC ± ± 0.30'
MATERIAL: -	FINISH: -	WEIGHT: -	SIZE: A1	CAGE CODE: 00779
CUSTOMER DRAWING		SCALE: 4:1	SHEET: 1 of 1	REV: T