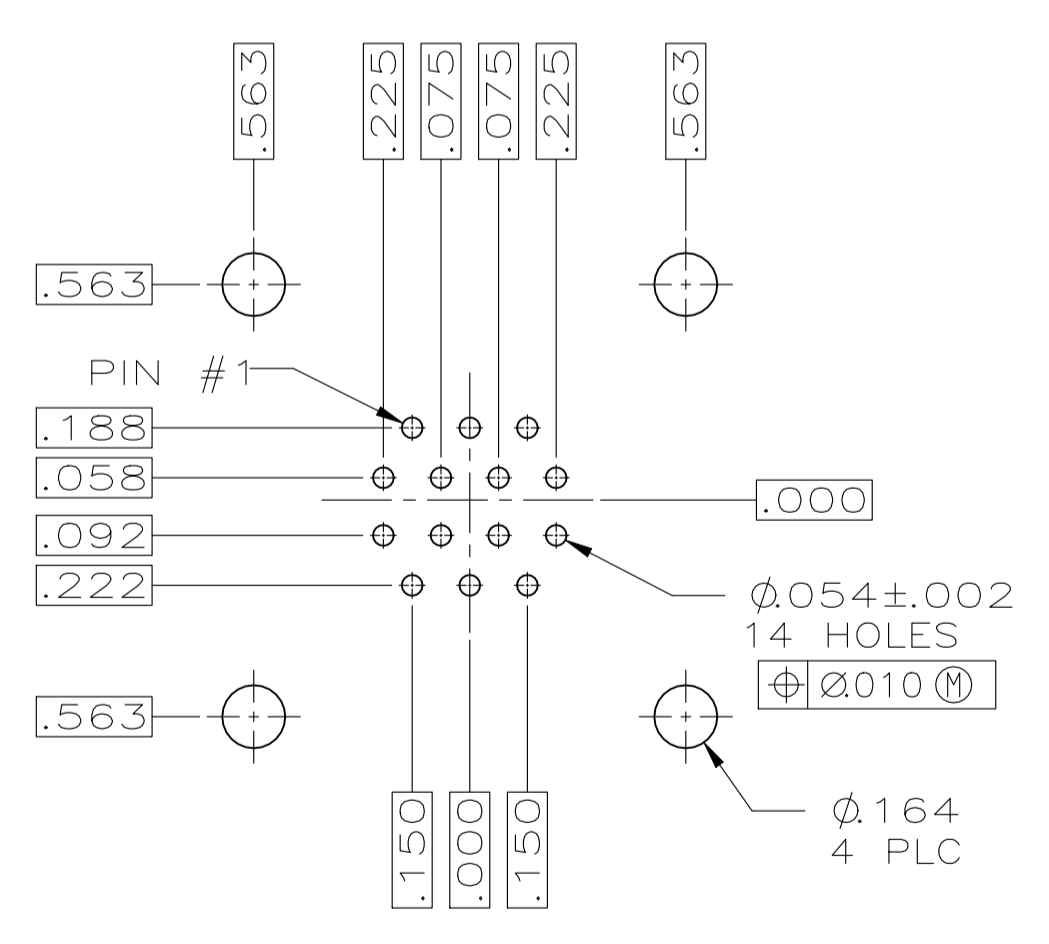
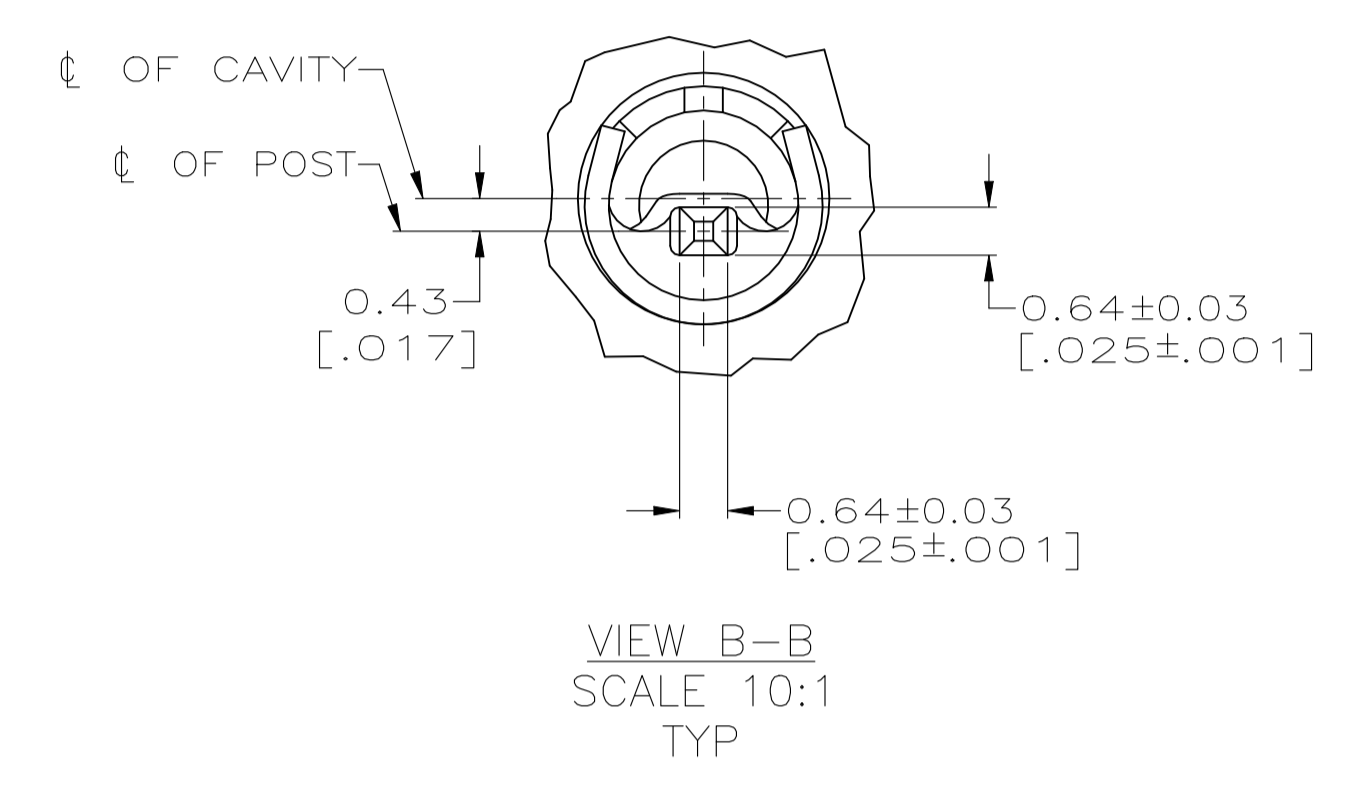
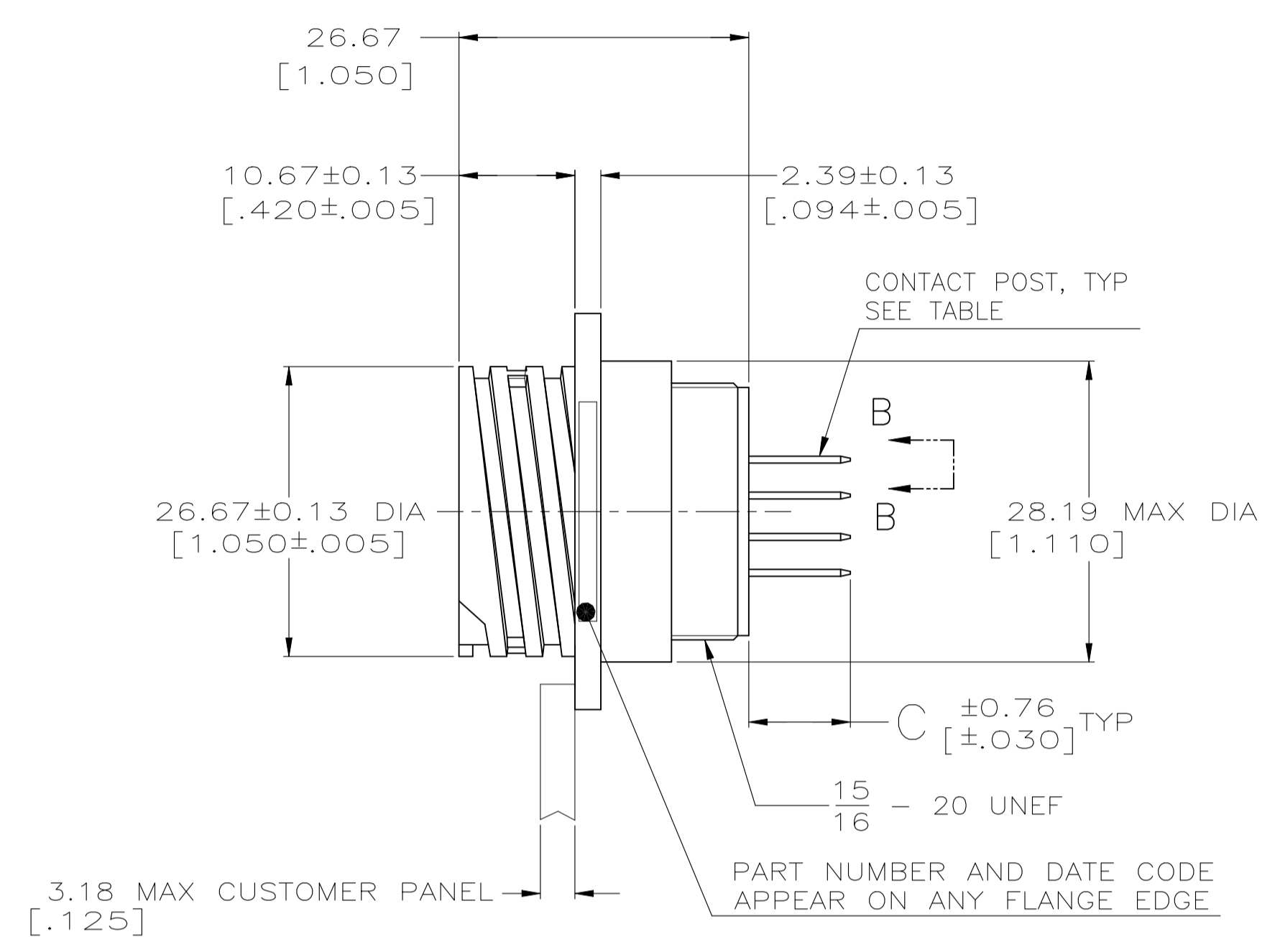
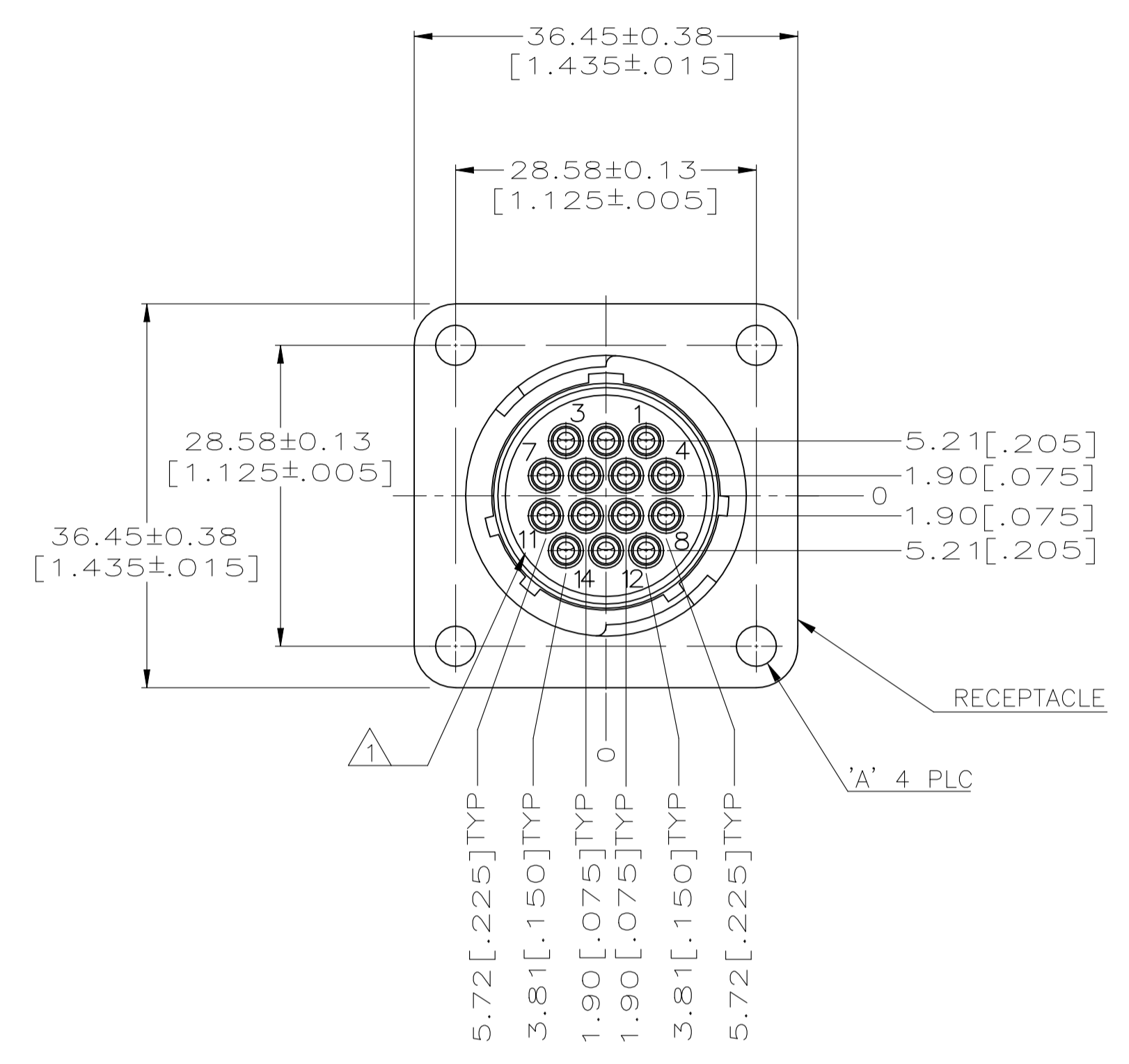
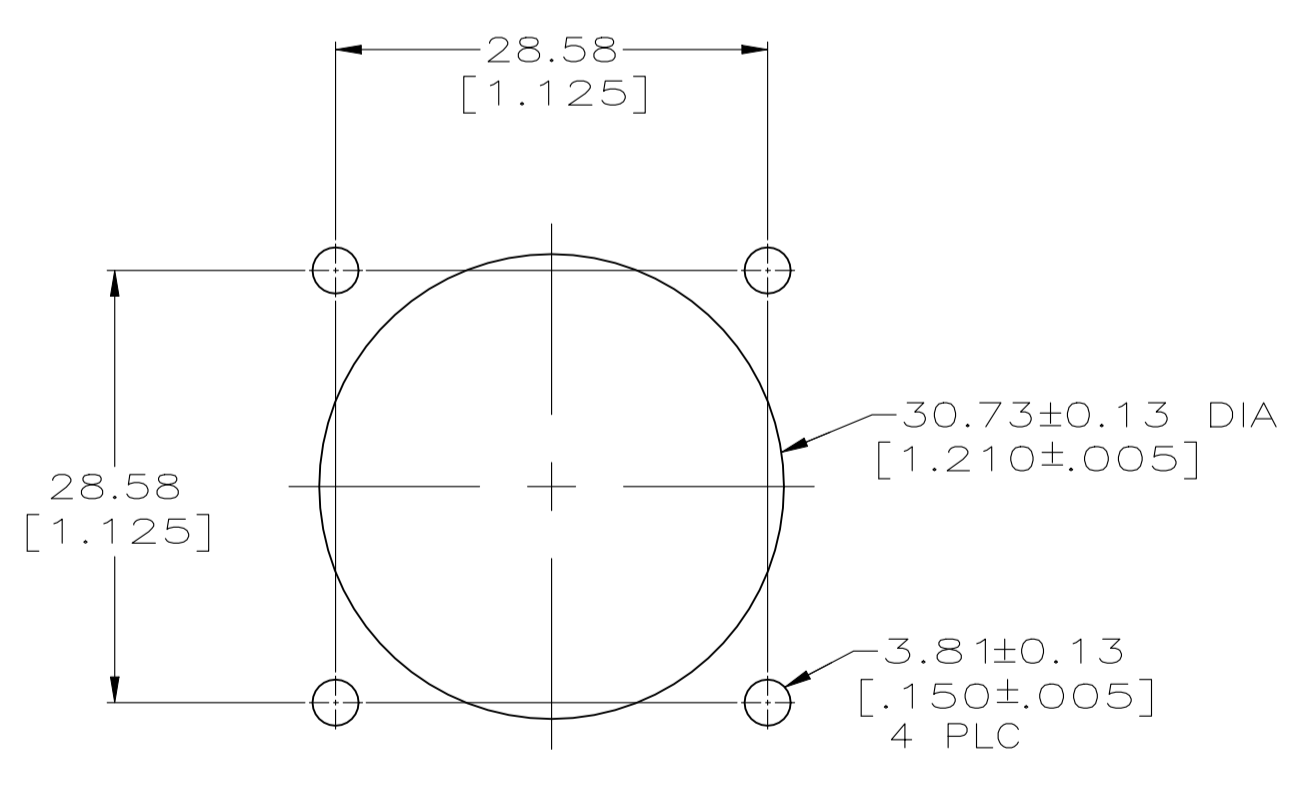


REVISIONS				
REV	DATE	DESCRIPTION	BY	APP'D
H1	26AUG2022	REVISED PER ECR-22-150475	RK	MZ



RECOMMENDED P.C. BOARD LAYOUT



RECOMMENDED PANEL CUTOUT

- 1 CAVITY IDENTIFICATION CHARACTERS ON FRONT AND REAR FACE.
- 2 NYLON, UL 94V-0 RATED, BLACK.
- 3 CONTACT BODY: 0.76um[.000030] MIN GOLD FOR LENGTH OF 5.08[.200] MIN FROM MATING END, WITH REMAINDER TO BE GOLD FLASH, BOTH OVER 1.27um[.000050] MIN NICKEL. CONTACT POST: 2.54um[.000100] MIN TIN-LEAD OVER 2.54um[.000100] MIN COPPER.
- 4 CONTACT BODY: 2.54um[.000100] MIN TIN-LEAD OVER 1.27um[.000050] MIN NICKEL. CONTACT POST: 2.54um[.000100] MIN TIN-LEAD OVER 2.54um[.000100] MIN COPPER.
- 5 CONTACT BODY: 0.76um[.000030] MIN GOLD FOR LENGTH OF 5.08[.200] MIN FROM MATING END, WITH REMAINDER TO BE GOLD FLASH, BOTH OVER 1.27um[.000050] MIN NICKEL. CONTACT POST: 2.54um[.000100] MIN TIN OVER 2.54um[.000100] MIN COPPER.
- 6 CONTACT BODY: 2.54um[.000100] MIN TIN OVER 1.27um[.000050] MIN NICKEL. CONTACT POST: 2.54um[.000100] MIN TIN OVER 2.54um[.000100] MIN COPPER.
- 7 PRELIMINARY PART NUMBER.
- 8 OBSOLETE PARTS

7	OBSOLETE	11.35[.447]	4-40 UNC, INSERT, BRASS	5	1-213729-1
		14.22[.560]	4-40 UNC, INSERT, BRASS	5	1-213729-0
		9.35[.368]	3.81±0.08[.150±.003] DIA	5	213729-9
8	OBSOLETE	4.04[.159]	4-40UNC, INSERT, BRASS	6	213729-8
8	OBSOLETE	9.35[.368]	3.81±0.08[.150±.003] DIA	6	213729-7
		9.35[.368]	4-40UNC, INSERT, BRASS	5	213729-6
7	OBSOLETE	4.04[.159]	3.81±0.08[.150±.003] DIA	4	213729-5
8	OBSOLETE	4.04[.159]	4-40UNC, INSERT, BRASS	4	213729-4
8	OBSOLETE	9.35[.368]	3.81±0.08[.150±.003] DIA	4	213729-3
	OBSOLETE	9.35[.368]	4-40UNC, INSERT, BRASS	3	213729-2
	OBSOLETE	9.35[.368]	3.81±0.08[.150±.003] DIA	3	213729-1

DIMENSIONS:		TOLERANCES UNLESS OTHERWISE SPECIFIED:		MATERIAL		FINISH		WEIGHT		CUSTOMER DRAWING	
mm	[INCHES]	0 PLC	± .00	RECEPTACLE:	2	CONTACT:	BRASS	SCALE	2:1	SHEET	1 of 1
THIS DRAWING IS A CONTROLLED DOCUMENT.		W.G.LENKER 12-3-91		R.STONE 12-11-91		TE Connectivity		A1 00779		C=213729	
PRODUCT SPEC		108-10024		APPLICATION SPEC		114-10004		SIZE		DRAWING NO	
RECEPTACLE ASSEMBLY, POSTED, SERIES 1, REVERSE SEX, CPC		CAGE CODE		DRAWING NO		RESTRICTED TO		SCALE		SHEET	
CUSTOMER DRAWING		SCALE		2:1		SHEET		1 of 1		REV	