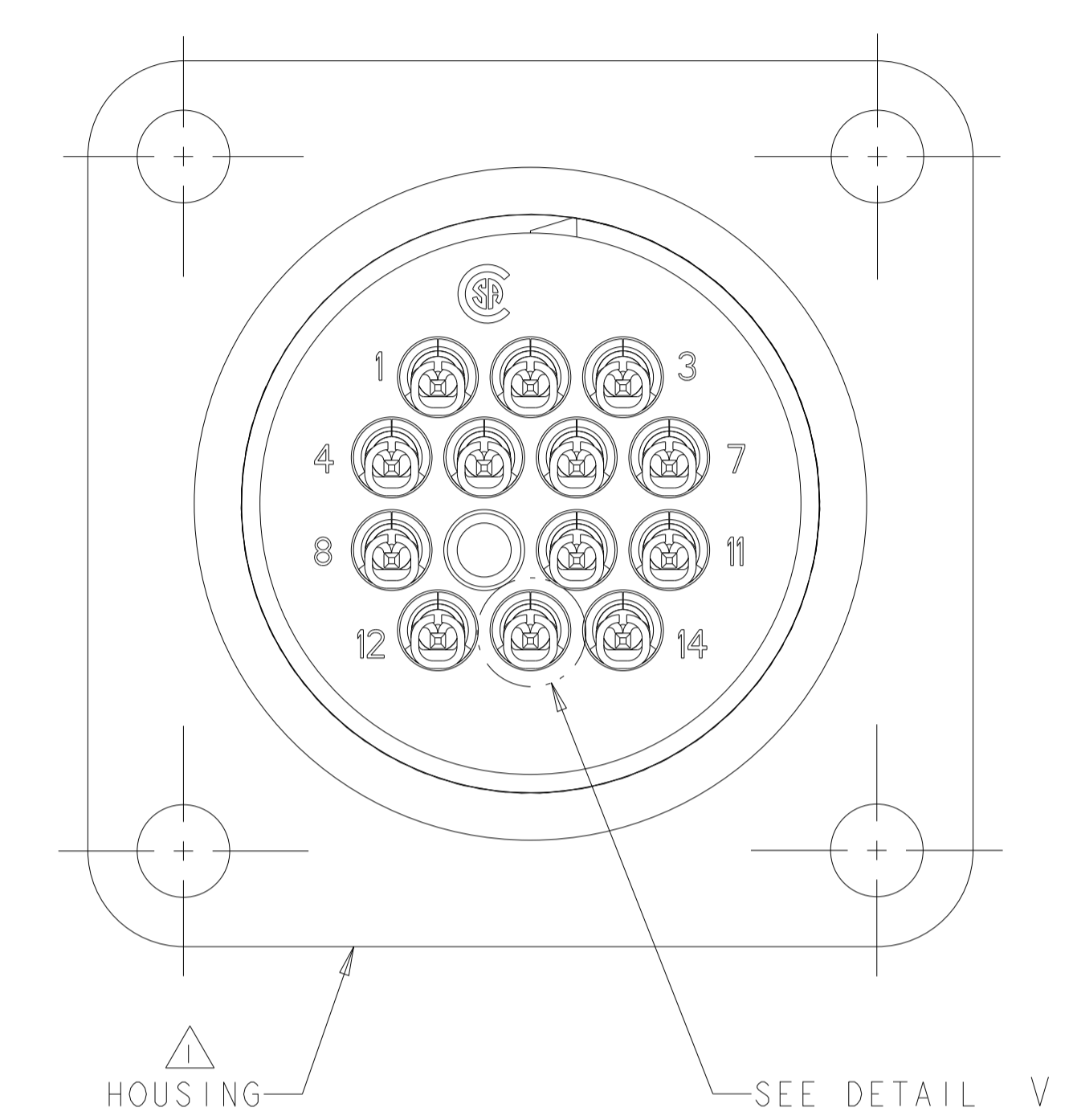
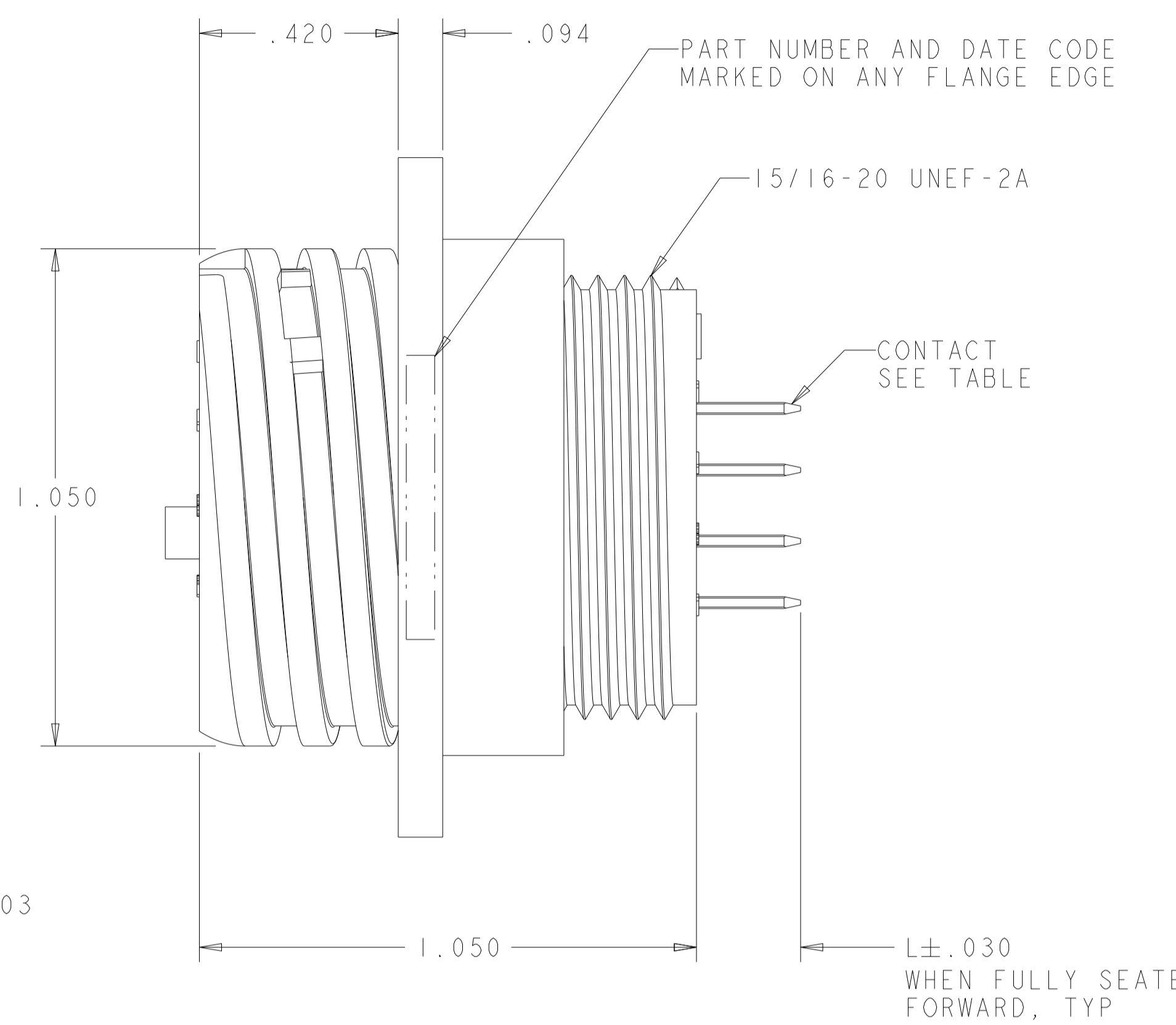
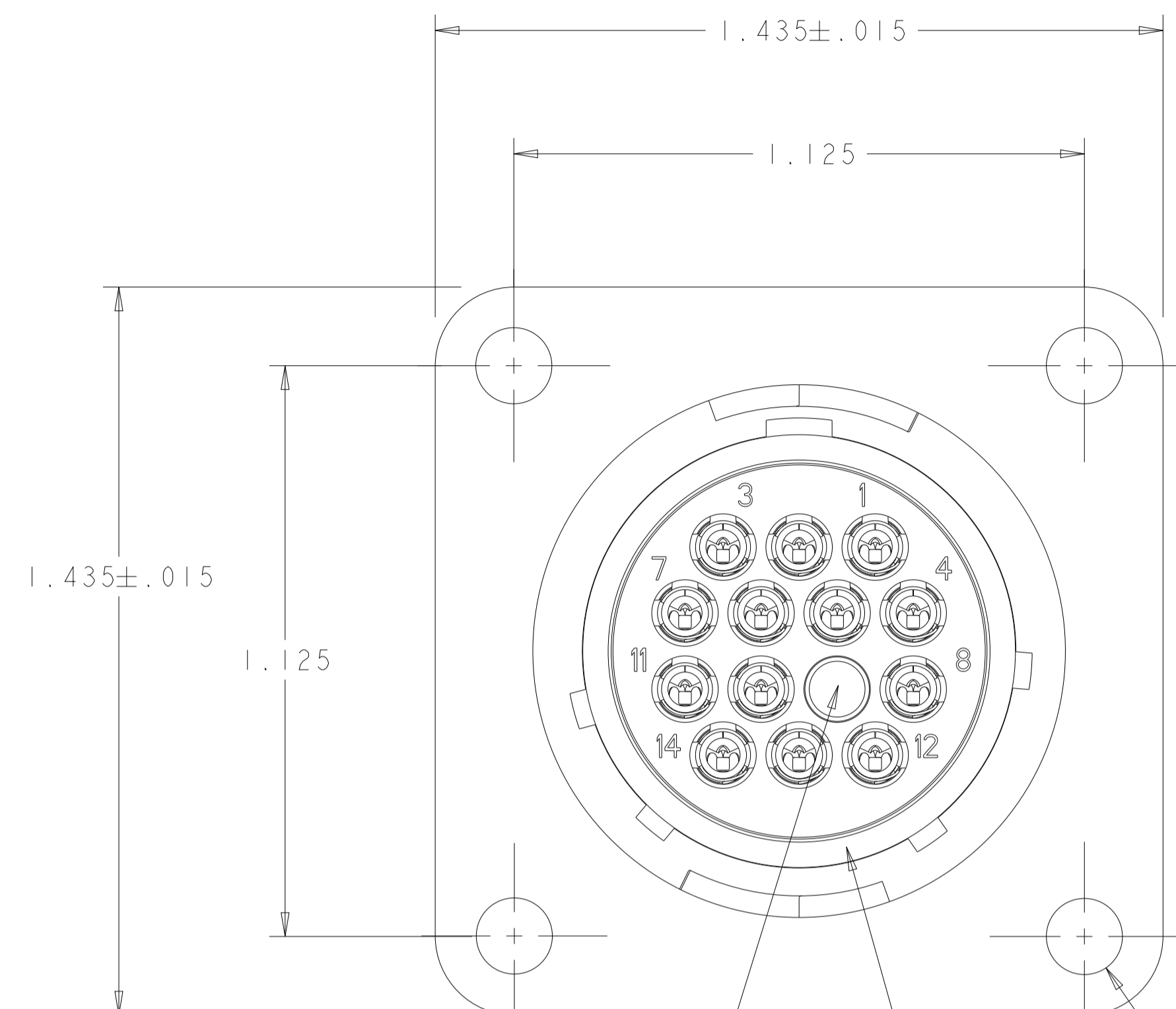
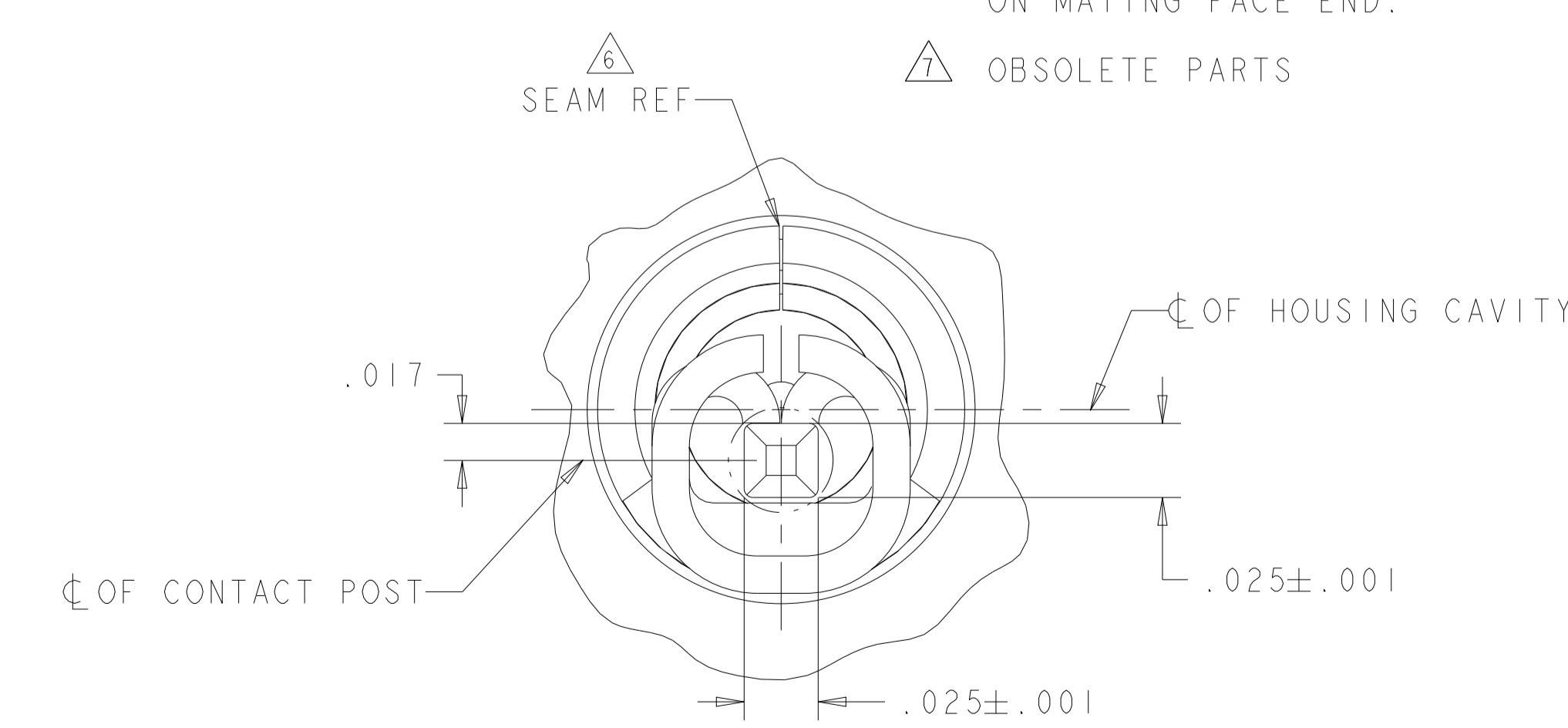


REVISIONS				
P	LTN	DESCRIPTION	DATE	OWN APVD
	T2	REVISED PER ECR-22-150475	29AUG2022	RK MZ



KEYING PLUG SEE TABLE  
 PERIPHERAL SEAL SEE TABLE  
 Ø .150±.003 4 PLC

- 1 HOUSING: NYLON, UL 94 V-0 RATED, BLACK.
- 2 CONTACT:  
 BODY - BRASS, .000100 MIN TIN-LEAD OVER .000050 MIN NICKEL.  
 POST - BRASS, .000100 MIN TIN-LEAD OVER .000050 MIN NICKEL.
- 3 CONTACT:  
 BODY - BRASS, .000100 MIN TIN OVER .000050 MIN NICKEL.  
 POST - BRASS, .000100 MIN TIN OVER .000050 MIN NICKEL.
- 4 PERIPHERAL SEAL: ELASTOMER, BLACK.
- 5 KEYING PLUG: NYLON, NATURAL.
- 6 .009 MAXIMUM CONTACT LEAD-IN SEAM GAP PERMISSIBLE ON MATING FACE END.
- 7 OBSOLETE PARTS



DETAIL V  
 SCALE 20:1

STATUS	L	KEYING PLUG	PERIPHERAL SEAL	FINISH	QTY	SELECT LOAD IN POSITIONS	PART NUMBER
OBSOLETE		.368	-	YES	3	1-5, 7-14	1-213825-8
		.220	-	YES	3	ALL	1-213825-7
		.220	-	YES	3	1, 3, 4, 6, 8-14	1-213825-6
		.220	POSN 9	YES	3	1-8, 10-14	1-213825-5
		.220	-	YES	3	1-5, 7-14	1-213825-4
OBSOLETE	-	.557	-	NO	2	1, 2, 4, 5, 7-14	1-213825-3
OBSOLETE		.220	POSN 9	YES	2	1-8, 10-14	1-213825-2
OBSOLETE		.368	-	YES	2	1-5, 7-14	1-213825-1
OBSOLETE		.220	-	YES	2	1-5, 7-14	1-213825-0
OBSOLETE		.220	-	YES	2	1, 3, 4, 6, 8-14	1-213825-9
OBSOLETE		.220	POSN 9	YES	2	1-8, 10-14	1-213825-5
OBSOLETE		.368	-	YES	2	1-5, 7-14	1-213825-4
OBSOLETE		.220	-	YES	2	1-5, 7-14	1-213825-3
OBSOLETE		.220	-	YES	2	1, 3, 4, 6, 8-14	1-213825-2
OBSOLETE		.220	-	YES	2	ALL	1-213825-1

THIS DRAWING IS A CONTROLLED DOCUMENT. OWN: S. WELDON 23MAY2003  
 CHK: S. HEADER 23MAY2003  
 DIMENSIONS: INCHES TOLERANCES UNLESS OTHERWISE SPECIFIED:  
 0 PLC ±.0  
 1 PLC ±.0  
 2 PLC ±.0  
 3 PLC ±.0  
 4 PLC ±.0, 0.10  
 ANGLES ±.0  
 FINISH -

MATERIAL: -  
 WEIGHT: -  
 CUSTOMER DRAWING

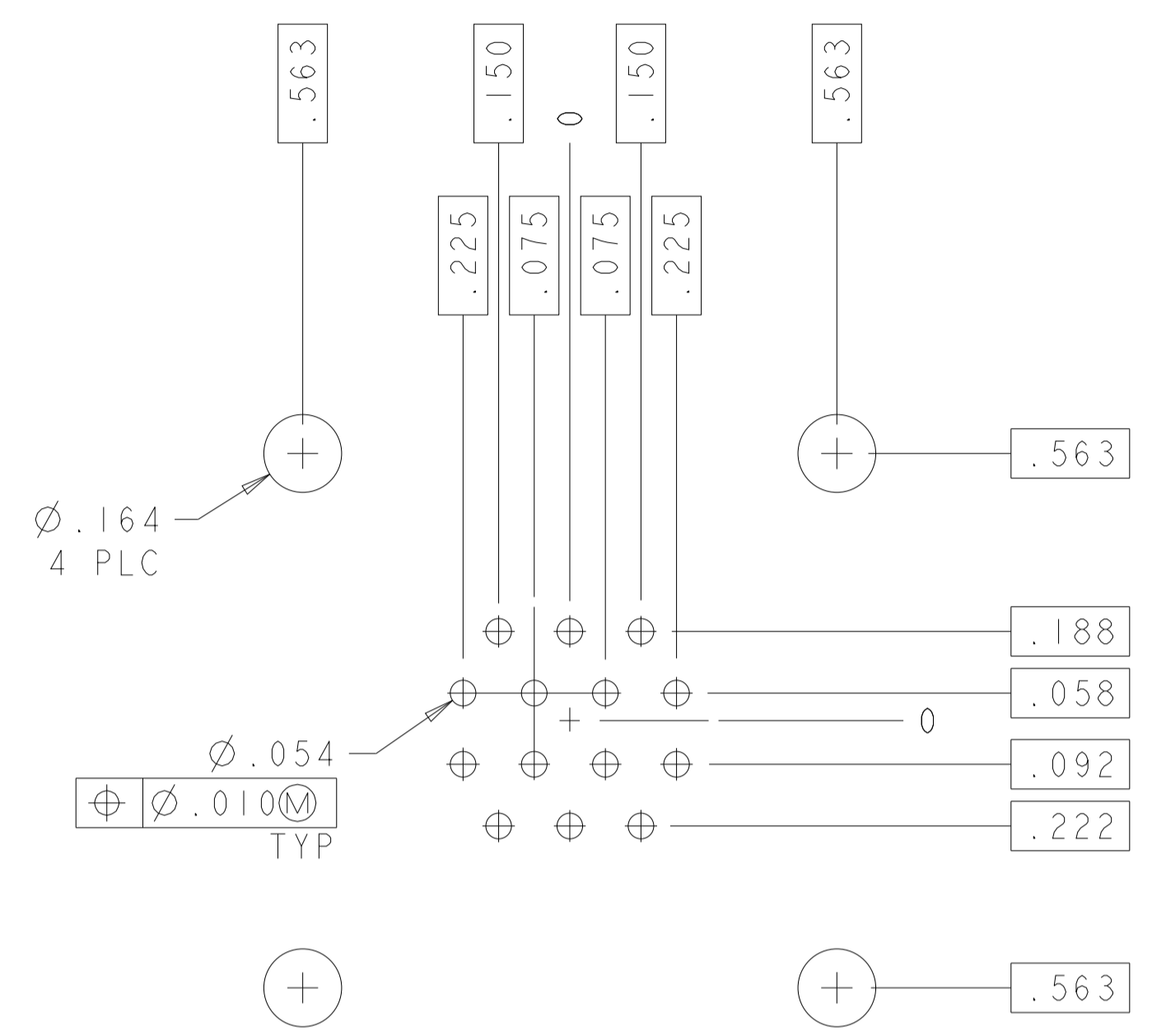
APVD: S. HEADER 23MAY2003  
 PRODUCT SPEC: -  
 APPLICATION SPEC: -

SIZE: A1 CAGE CODE: 213825 DRAWING NO: 100779  
 NAME: RECEPTACLE ASSEMBLY, POSTED, SERIES 1, REVERSE SEX, CPC  
 RESTRICTED TO: -

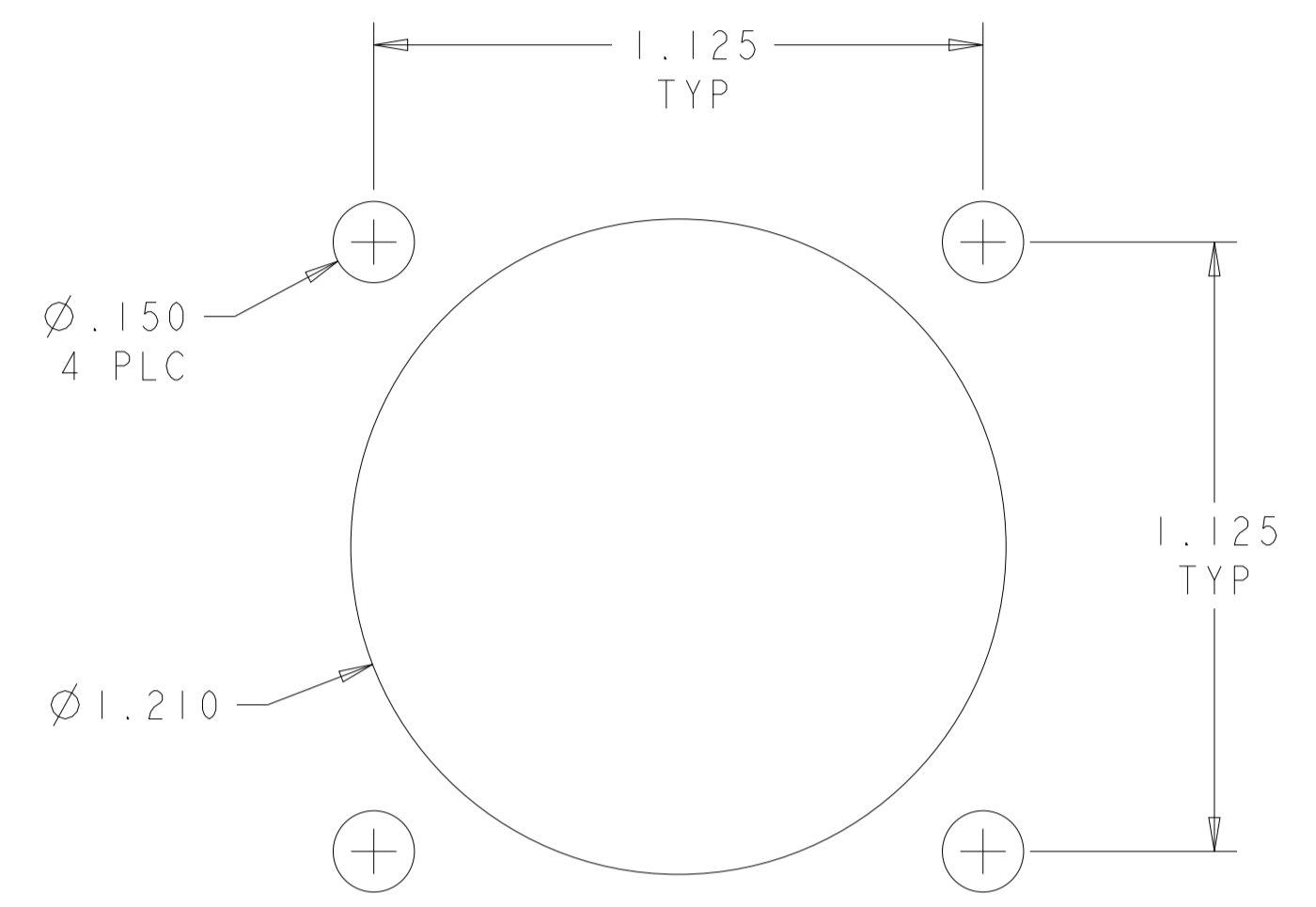
SCALE: 4:1 SHEET: 1 OF 2 REV: T2

THIS DRAWING IS UNPUBLISHED. RELEASED FOR PUBLICATION 20  
 © COPYRIGHT 20 BY - ALL RIGHTS RESERVED.

REVISIONS				
P	LTN	DESCRIPTION	DATE	APVD
-		SEE SHEET 1	-	-



RECOMMENDED PC BOARD LAYOUT  
 SCALE 3:1



RECOMMENDED PANEL LAYOUT  
 .125 MAX PANEL THICKNESS  
 SCALE 3:1

THIS DRAWING IS A CONTROLLED DOCUMENT.		DWN S. WELDON 23MAY2003 CHK S. HEADER 23MAY2003 APVD S. HEADER 23MAY2003	
DIMENSIONS: INCHES	TOLERANCES UNLESS OTHERWISE SPECIFIED: 0 PLC ±0 1 PLC ±0 2 PLC ±0 3 PLC ±0.010 4 PLC ±0 ANGLES ±0 FINISH -	NAME RECEPTACLE ASSEMBLY, POSTED, SERIES 1, REVERSE SEX, CPC PRODUCT SPEC - APPLICATION SPEC -	
MATERIAL -	WEIGHT -	SIZE A1 CAGE CODE 00779 DRAWING NO C=213825	RESTRICTED TO - SCALE 4:1 SHEET 2 OF 2 REV T2
CUSTOMER DRAWING			