

LOC	DIST	REVISIONS			
P	LTN	DESCRIPTION	DATE	DWN	APVD
A		REVISED PER ECO-14-018497	16DEC2014	AP	DG
B		REVISED PER ECO-16-006344	26APR2016	JY	SH

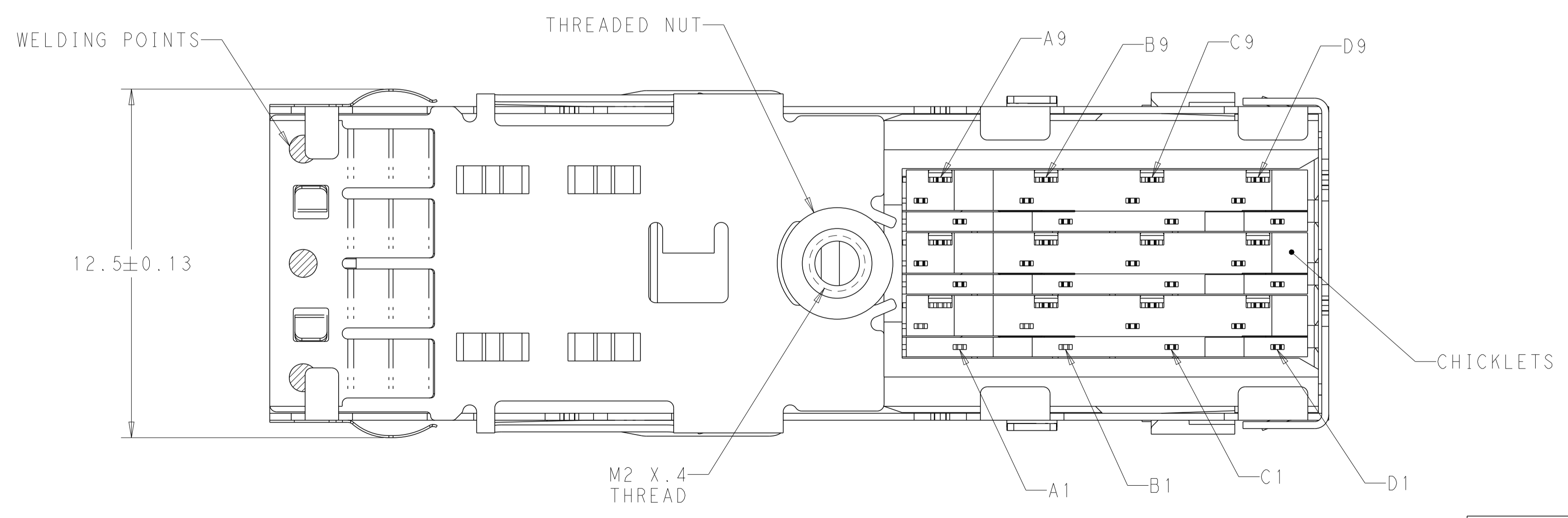
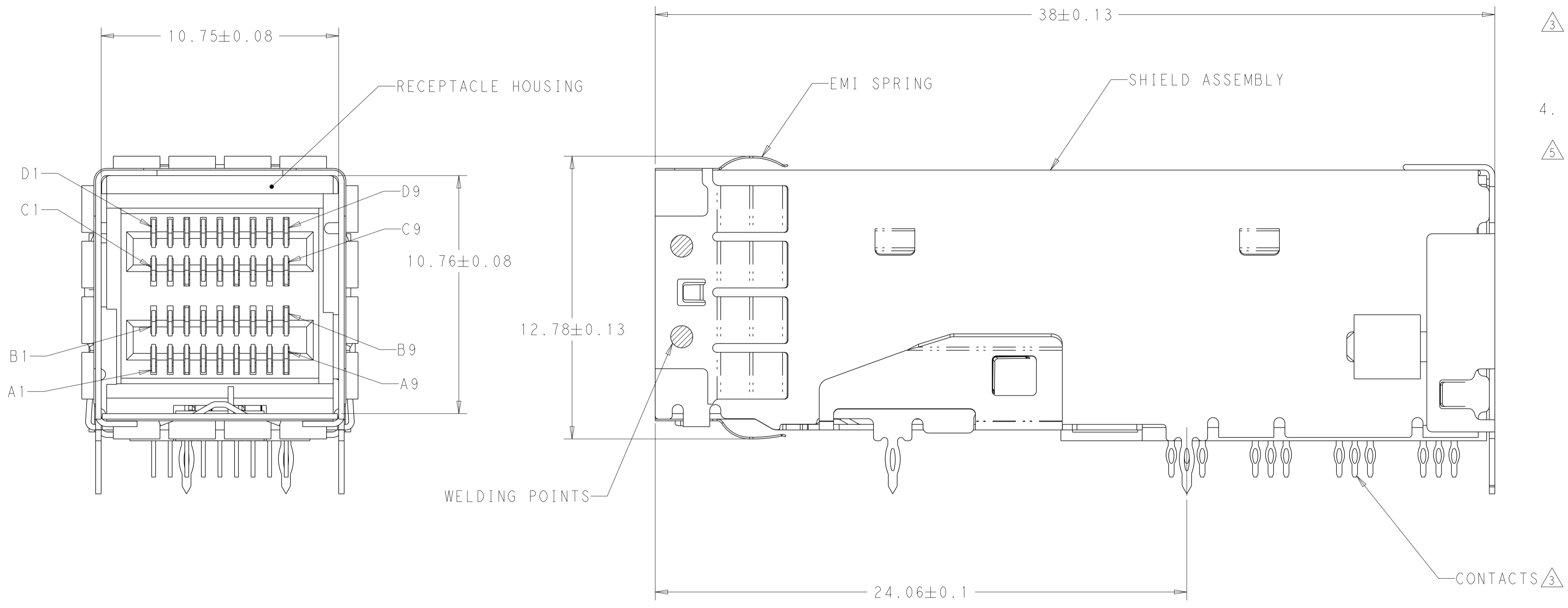
1. MATERIALS
 RECEPTACLE HOUSING, LCP, BLACK, UL94V-0 RATED
 SHIELD ASSEMBLY: NICKEL SILVER COPPER ALLOY
 CONTACTS: COPPER ALLOY
 EMI SPRING: COPPER ALLOY
 THREADED NUT: BRASS
 CHICKLETS: LCP, BLACK, UL 94V-0 RATED

2. FINISH
 EMI SPRING: TIN PLATE OVER NICKEL PLATE
 NON-PLATED EDGES PERMISSABLE
 THREADED NUT: NICKEL PLATE

△ CONTACT FINISH: CONFORMS TO THE REQUIREMENTS OF TE PRODUCT SPECIFICATION, 108-2462. BASED ON EIA/ECA-364-1000.01A. (CONTROLLED ENVIRONMENT APPLICATIONS) ON MATING END. TIN PLATED ON PCB TAIL

4. THREAD LENGTH OF FASTENER = PCB THICKNESS + 1.45 MAX

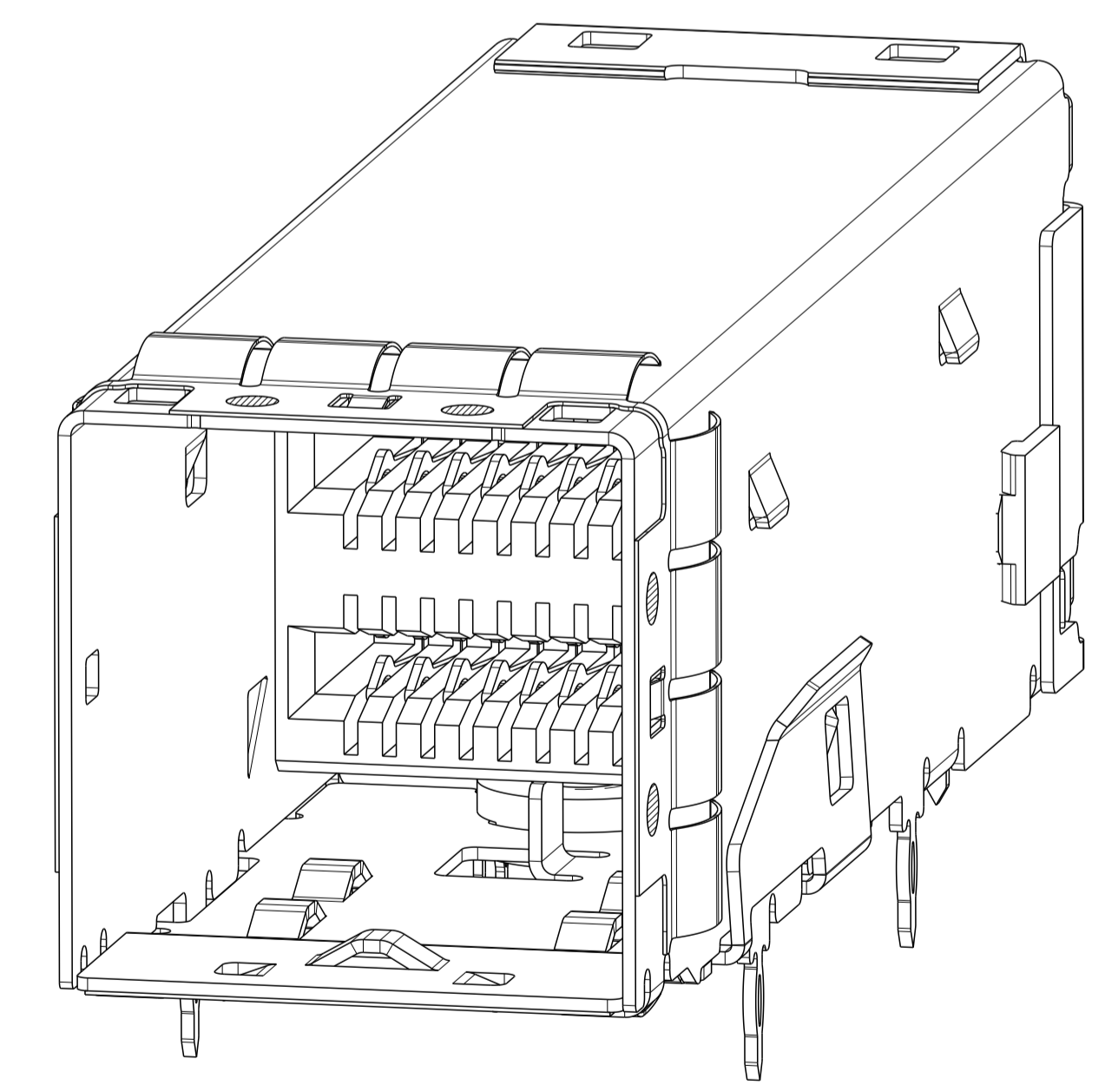
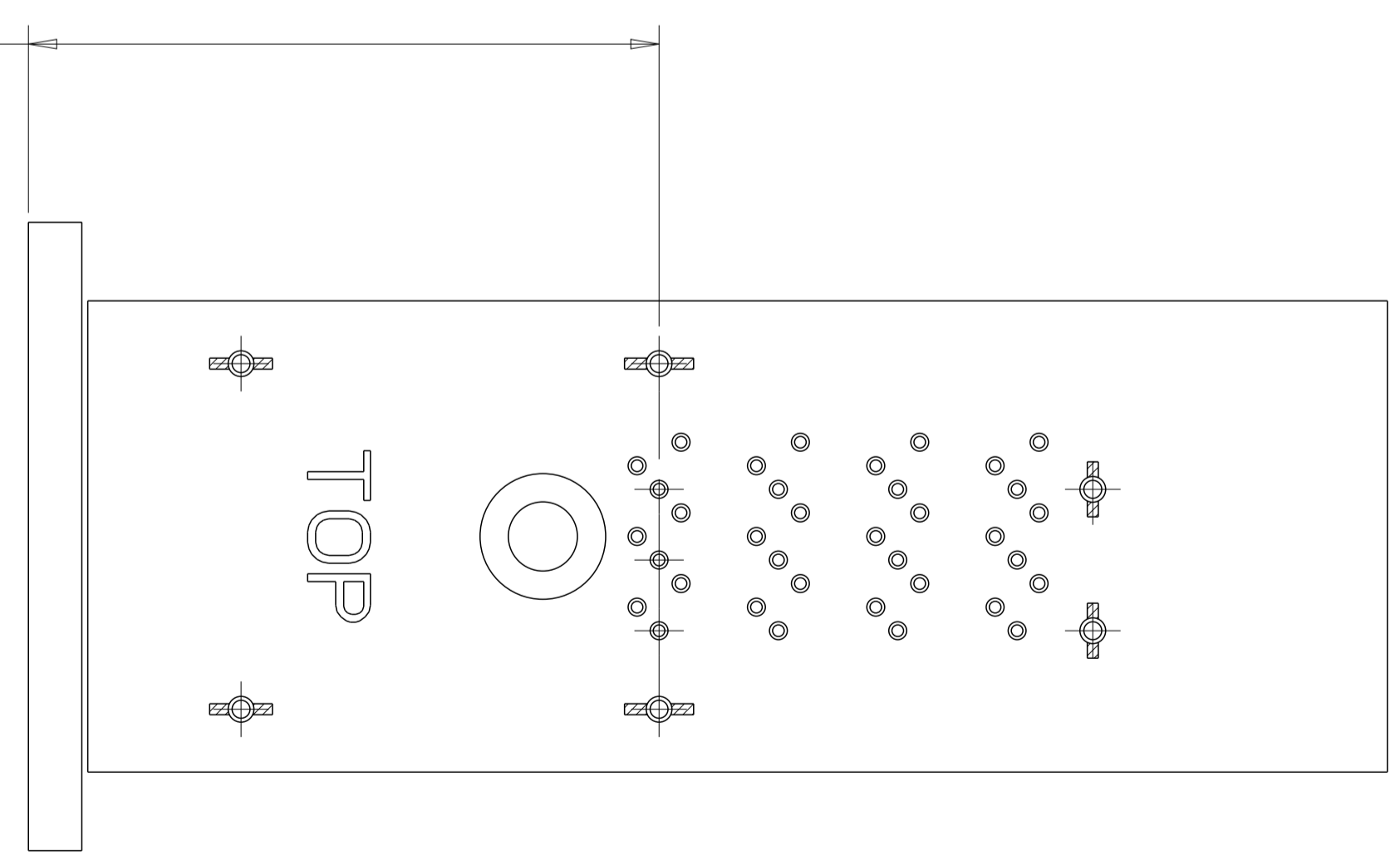
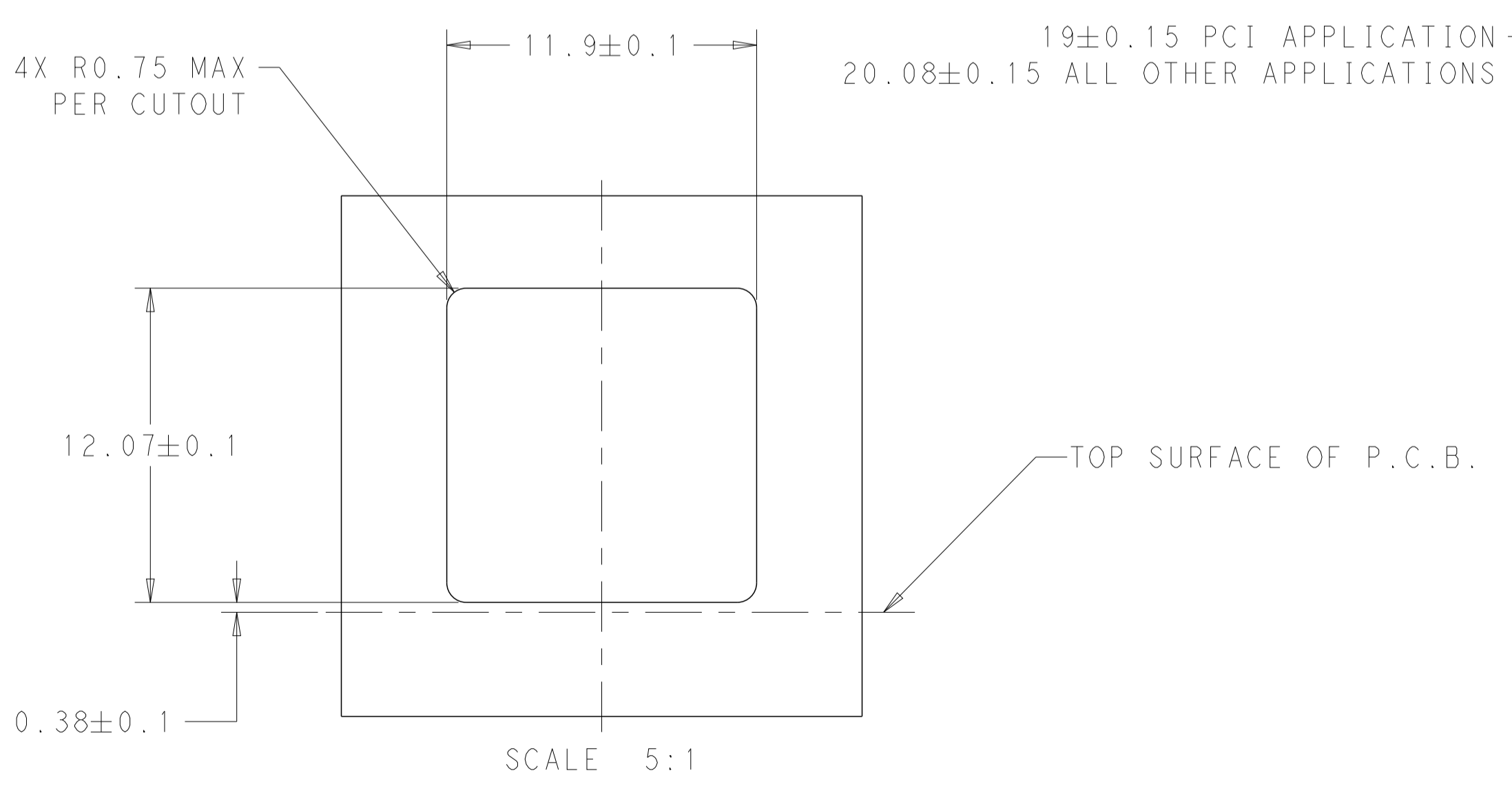
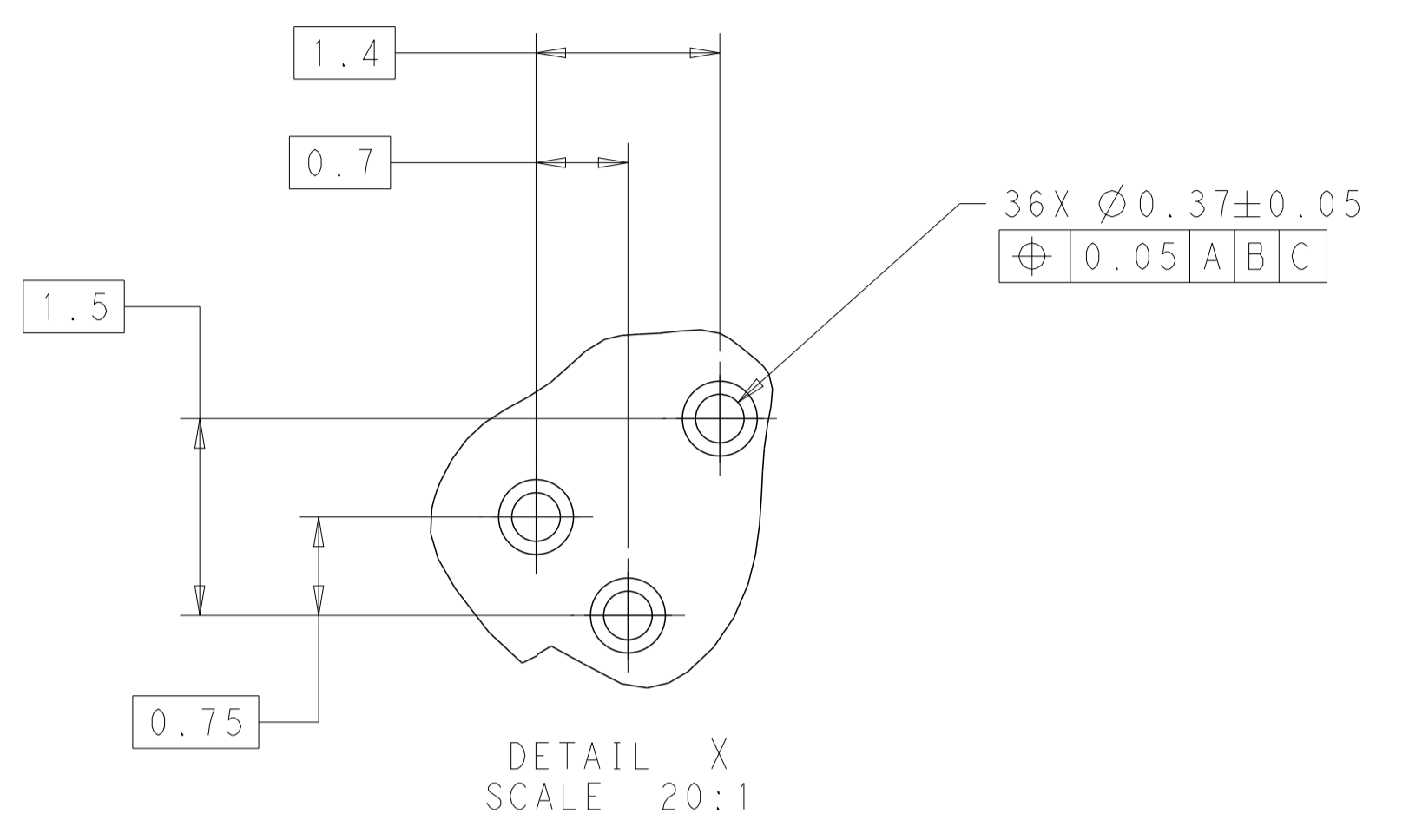
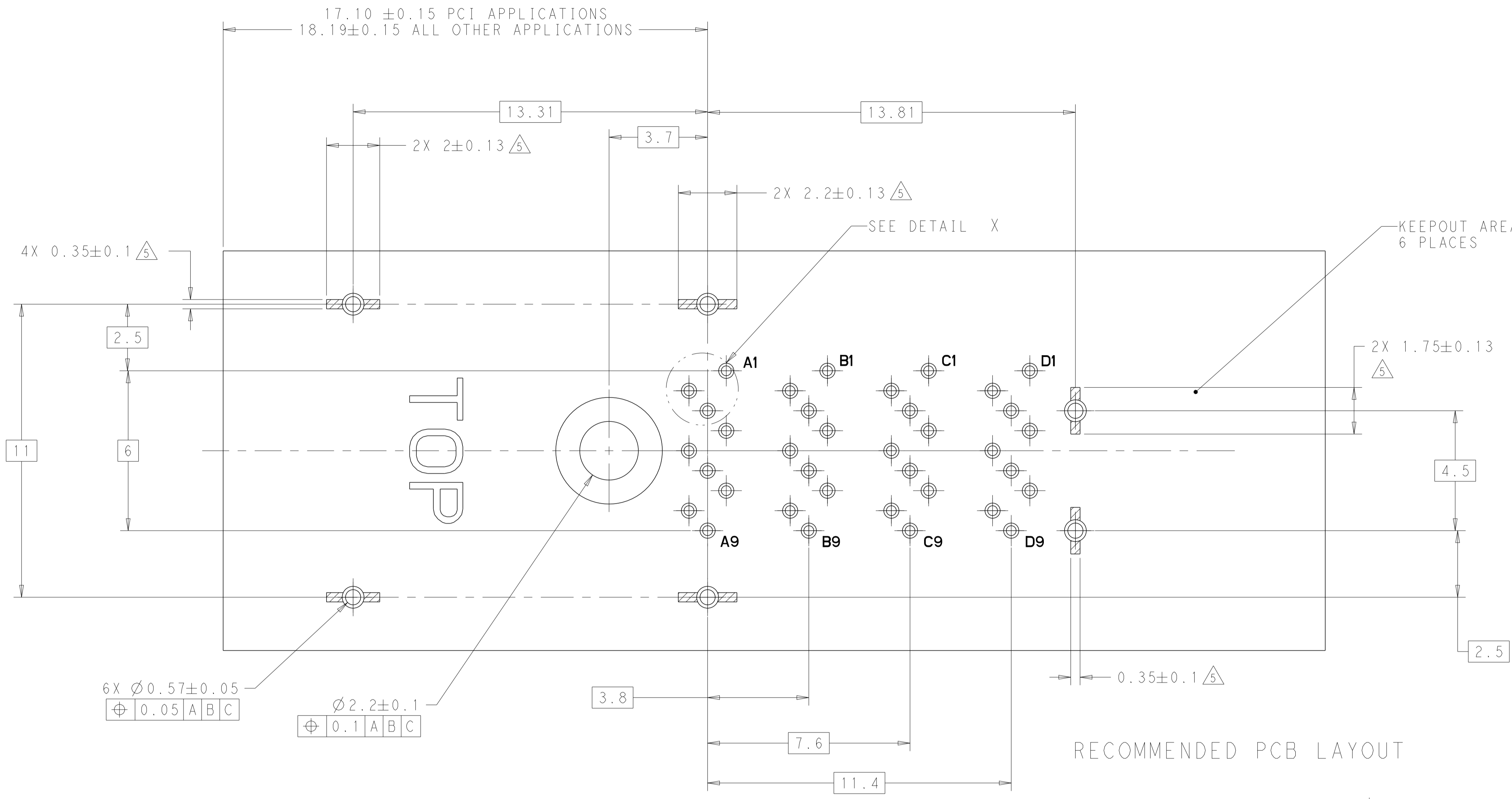
△ RECOMMENDED TRACE KEEP OUT ZONE



2149027-1
 PART NUMBER

THIS DRAWING IS A CONTROLLED DOCUMENT.		DWN P. KERLIN 27JUL2010	TE Connectivity	
DIMENSIONS:		CHK J. SECHRIST 27JUL2010	NAME RECEPTACLE ASSEMBLY, MINI-SASS HD	
mm	TOLERANCES UNLESS OTHERWISE SPECIFIED:	APVD	PRODUCT SPEC	RESTRICTED TO
	0 PLC ± 0.13		108-2462	
	2 PLC \pm		APPLICATION SPEC	
	3 PLC \pm		114-13316	
	4 PLC \pm		WEIGHT	
	ANGLES \pm		A100779C=2149027	
MATERIAL	FINISH		Customer Drawing	SCALE 8:1 SHEET 1 OF 2 REV B

LOC	DIST	REVISIONS			
P	LYN	DESCRIPTION	DATE	OWN	APVD
-	-	SEE SHEET 1	-	-	-



THIS DRAWING IS A CONTROLLED DOCUMENT.		OWN P. KERLIN 27JUL2010	TE Connectivity	
DIMENSIONS:		CHK J. SECHRIST 27JUL2010	NAME RECEPTACLE ASSEMBLY, MINI-SASS HD	
mm	TOLERANCES UNLESS OTHERWISE SPECIFIED:	APVD	PRODUCT SPEC	RESTRICTED TO
Ø	0 PLC ±0.13	108-2462	SIZE CAGE CODE DRAWING NO	A100779C=2149027
	1 PLC ±	APPLICATION SPEC	WEIGHT	Customer Drawing
	2 PLC ±	114-13316	SCALE 8:1	SHEET 2 OF 2
	3 PLC ±	ANGLES	REV B	
	4 PLC ±	FINISH		