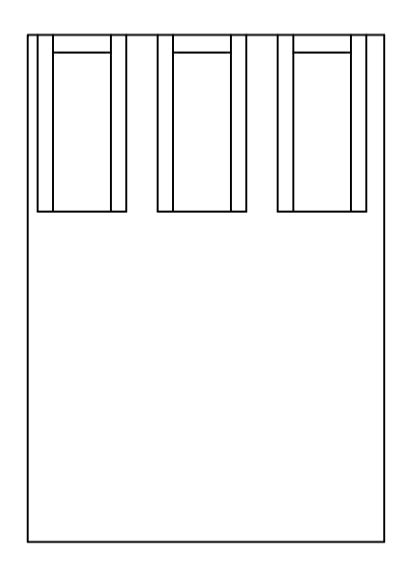
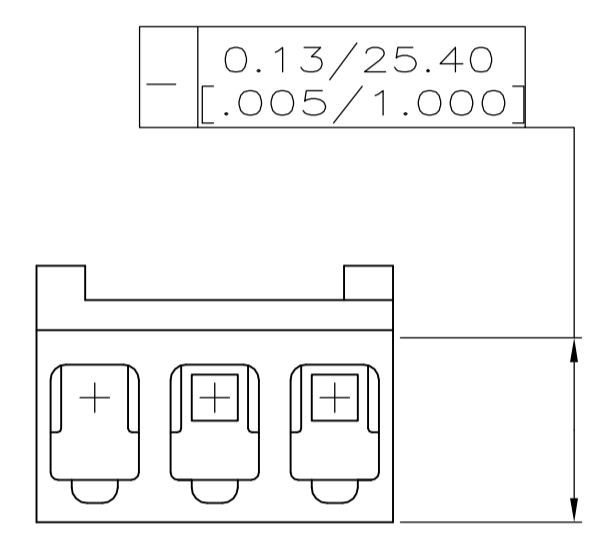
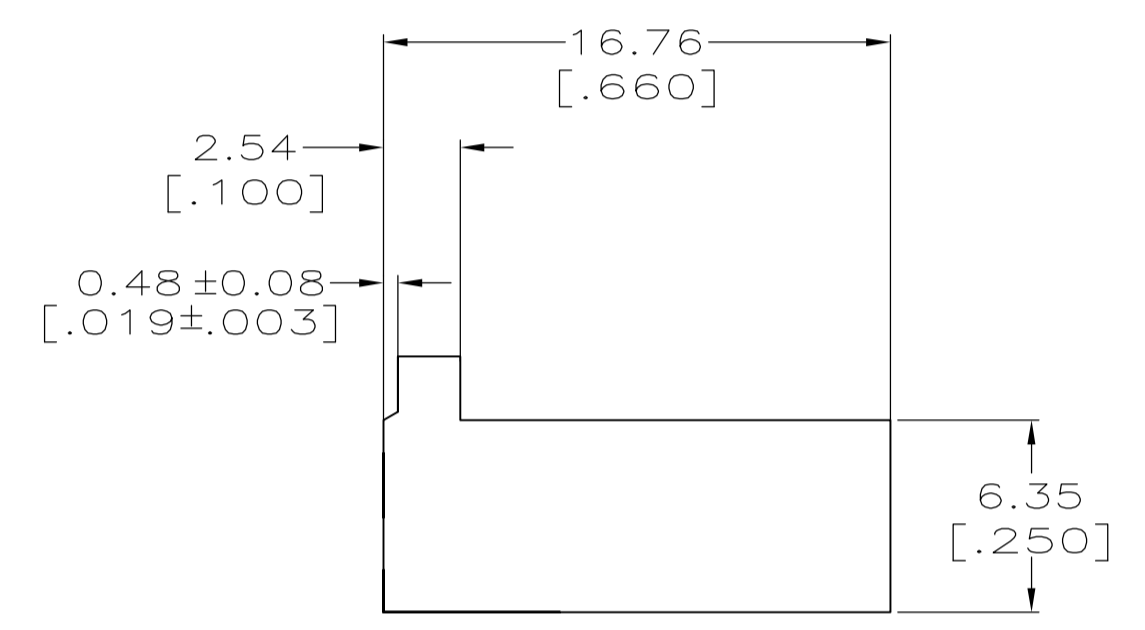
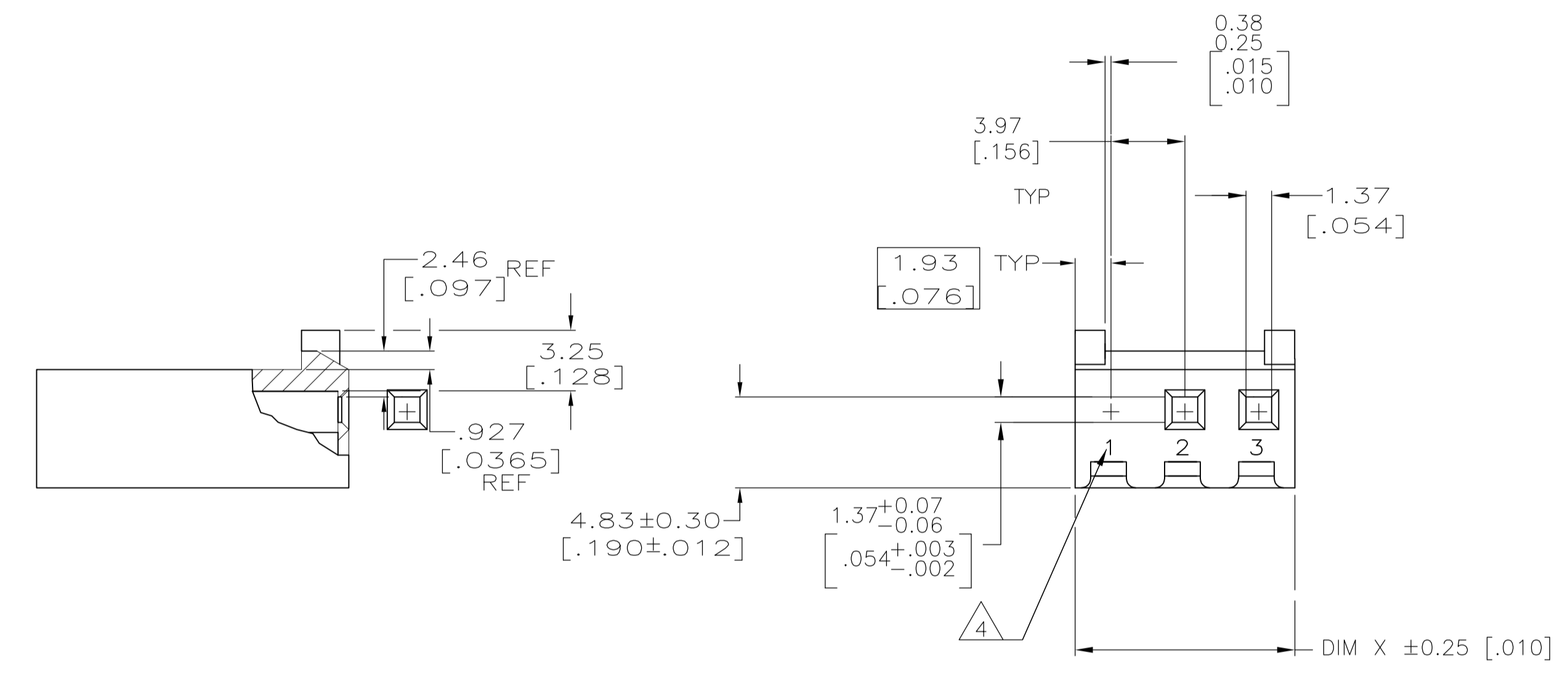
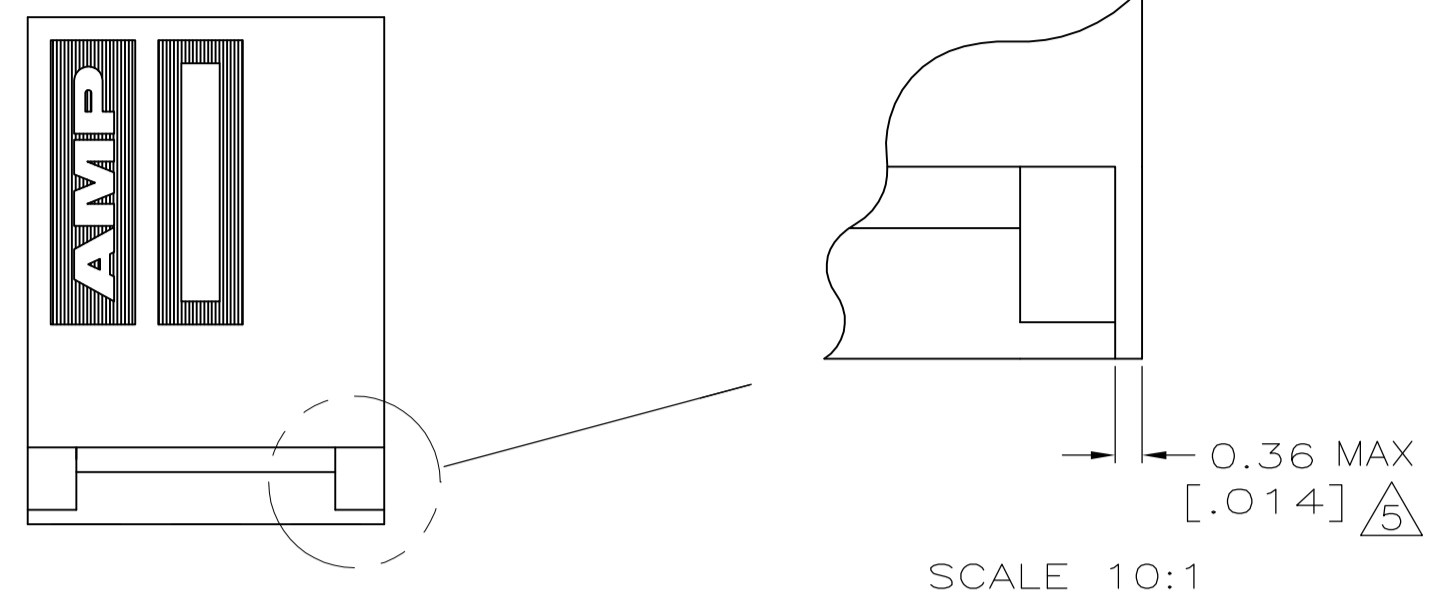


LOC	DIST	REVISIONS				
CM	0	REV	DESCRIPTION	DATE	BY	APPV
		C	REVISED PER ECO-12-007810	27JUL12	KH	SM

- 1 UNIT ACCEPTS 1.14[.045] SQUARE OR ROUND POST.
- 2 UNIT ACCEPTS STANDARD SL-156 CONTACTS.
- 3 UNIT ACCEPTS KEYING PLUG 640254-1 AND KEYING PIN 640255-1.
- 4 IDENTIFICATION NUMBER FOR ALL POSITIONS, OR FOR POSITION 1 ONLY, WILL BE LOCATED AS SHOWN.
- 5 OPTIONAL CONSTRUCTION, BOTH ENDS.
- 6 DIMENSIONS IN BRACKETS ARE IN INCHES.



SUPERSEDED

DIM X	NO OF POSN	PART NUMBER
19.74 [.777]	5	2149087-5
11.80 [.465]	3	2149087-3
11.80 [.465]	3	2149087-1

METRIC

THIS DRAWING IS A CONTROLLED DOCUMENT.		DIN D. HUMBERT 06AUG2010		TE Connectivity	
DIMENSIONS: mm [INCHES]		CHK J. FABY 06AUG2010		NAME	
TOLERANCES UNLESS OTHERWISE SPECIFIED:		APVD J. FABY 06AUG2010		HOUSING WITH LOCKING RAMP AND POLARIZING TABS, POSITION 1 BLOCKED, SL-156	
0. PLC ± -	1. PLC ± -	PRODUCT SPEC		SIZE	
2. PLC ± -	3. PLC ± 0.13 [.005]	APPLICATION SPEC		CAGE CODE DRAWING NO	
4. PLC ± -	ANGLES ± ± -	WEIGHT		A1 00779 C=2149087	
MATERIAL NYLON,UL 94V-0	FINISH -	CUSTOMER DRAWING		SCALE 4:1 SHEET 1 OF 1 REV C	