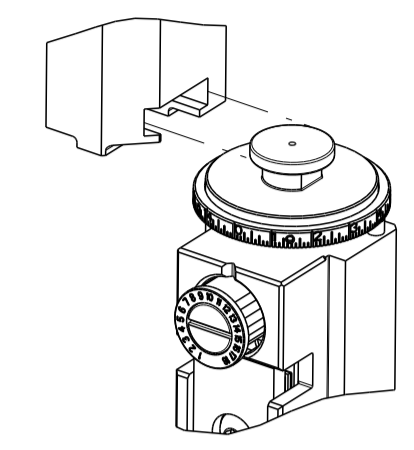


PART NUMBER	REVISION	DESCRIPTION	FEED TYPE
2151068-1	S	FINE CRIMP HEIGHT ADJUST	MECHANICAL
2151068-2	S	FINE CRIMP HEIGHT ADJUST	PNEUMATIC
3-2151068-2	S	FINE CRIMP HEIGHT ADJUST	DOUBLE ACTING PNEUMATIC WITH SENSORS
5-2151068-1	S	SEAL STRIPPER CRIMPER TERMINATING UNIT	MECHANICAL
5-2151068-2	S	SEAL STRIPPER CRIMPER TERMINATING UNIT	PNEUMATIC
7-2151068-7	N	CRIMP TOOLING KIT	-

ATLANTIC VERSION TERMINATOR INTERFACE ADAPTER



APPLICATOR DATA		
CRIMP	SIZE	TYPE
WIRE	1.57 mm [.062]	F
INSUL	1.83 mm [.072]	O

APPLICATOR INSTRUCTIONS 408-35042

TERMINAL DATA: TE TERMINAL		TE CRIMP SPECIFICATION	
TERMINAL NAME: MCON-1.2 CB			
WIRE STRIP LENGTH		INSULATION DIAMETER RANGE	
3.00-3.60 mm [.118-.142 IN]		Ø1.40-1.90 mm [.055-.075 IN]	
TERMINAL APPLICATION SPECIFICATION	114-18464		
TERMINALS APPLIED			
TE TERMINAL	TE TERMINAL	TE TERMINAL	TE TERMINAL
1670144-1	1670144-2	1670144-3	

WIRE SIZE	CRIMP HEIGHT mm [INCH]	CRIMP HEIGHT REFERENCE SETTING
0.75mm2	0.95+/-0.03 [.037+/-0.001]	6.5
20 AWG OR 0.50mm2	0.84+/-0.03 [.033+/-0.001]	6.5

- 1 RECOMMENDED SPARE PARTS
- 2 REFER TO SUPPLIED INSTRUCTION SHEET FOR CLEANING, LUBRICATION AND STORAGE OF APPLICATOR.
- 3 APPLY PART NUMBER 2-23419-6 LOCTITE TO THREADS OF ITEM 242.
- 4 CRIMP HEIGHT REFERENCE SETTING WAS THE SETTING USED WHEN THE APPLICATOR WAS QUALIFIED AT THE FACTORY. ADJUSTMENT MAY BE NECESSARY WHEN RUNNING APPLICATOR IN THE FIELD.
- 5 TERMINAL LUBRICANT IS RECOMMENDED.
- 6 THIS APPLICATOR IS EQUIPPED WITH THE DOUBLE ACTING FEED WITH SENSORS AND IS APPLICATION SPECIFIC. IT DOES NOT REQUIRE ITEMS 49 & 248.
- 7. UNLESS SPECIFIED OTHERWISE TORQUE VALUES SHALL BE USED PER DOCUMENT, 101-35000.

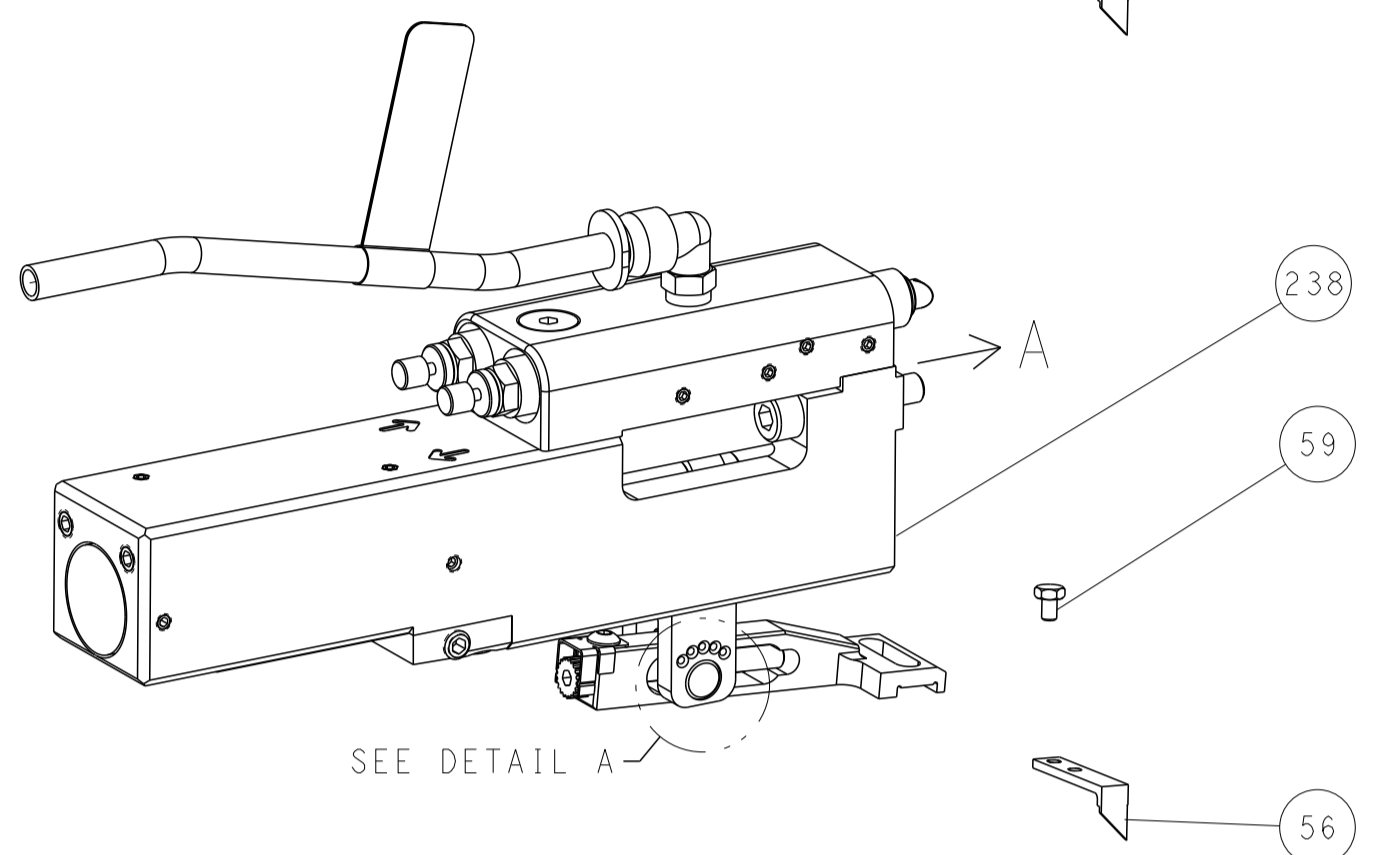
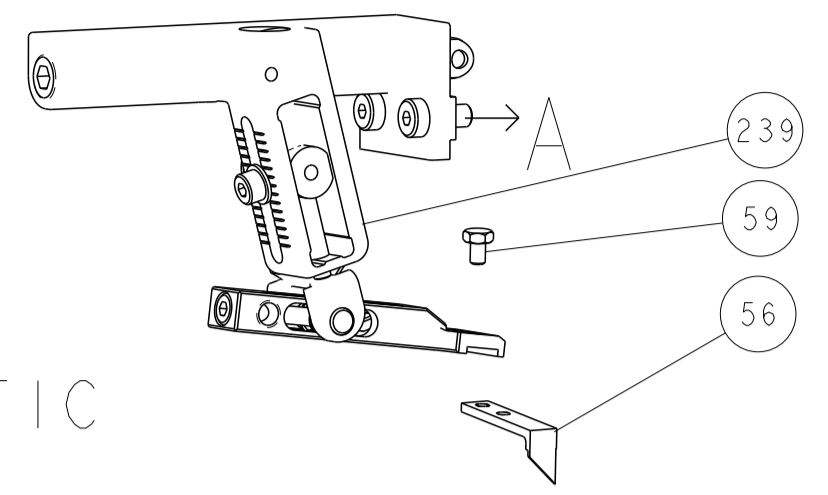
**\*WARNING**  
 ON INSTALLATION, SET WIRE DISC TO CRIMP HEIGHT REFERENCE SETTING FOR LARGEST WIRE SIZE. CRIMP HEIGHT REFERENCE SETTINGS GREATER THAN THE VALUE SHOWN MAY CAUSE DAMAGE TO THE CRIMP TOOLING. REFER TO THE INSTRUCTION SHEET FOR PROPER SETUP AND ADJUSTMENTS.

LOC	DIST	REVISIONS					
A	66	P	LTN	DESCRIPTION	DATE	OWN	APVD
		P2		ECR-21-003615	25MAR2021	FZ	YY
		R		ECR-24-203516	21MAR2024	MEH	GB
		S		ECR-24-204255	28MAR2024	TB	GB
		S1		ECR-24-206165	17APR2024	MEH	TE

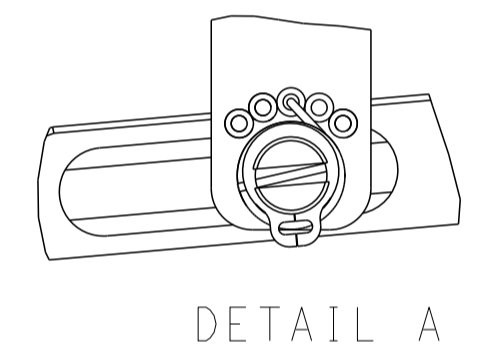
-	1	1	1	1	1	2-1803945-2	TONKER -	300	
-	1	1	1	1	1	22278-9	SPRING, COMPRESSION	299	
-	2	2	2	2	2	4-18032-3	SCR, SET, FLT PNT, M3 X 6.0	298	
-	1	1	1	1	1	1803944-1	SPACER, TONKER	297	
-	1	1	-	-	-	2-1803583-1	APPLICATOR BASIC ASSEMBLY, SF	292	
-	-	-	1	-	-	2844950-1	AIR FEED MODULE	290	
6	-	1	-	-	1	2119641-1	FEED CAM, AIR FEED	248	
-	1	1	1	1	1	2119082-4	CAM, SNAIL, INSULATION ADJUSTMENT	244	
-	1	1	1	1	1	2079764-1	WASHER, WAVE SPRING, CREST-TO-CREST	243	
3	-	1	1	1	1	2119083-1	RETAINER, INSULATION DIAL	242	
-	1	1	1	1	1	7-18023-7	SCR, SKT HD CAP M3 X 4.0	241	
-	-	1	-	-	1	2119580-1	MECHANICAL FEED ASSEMBLY	239	
-	1	-	-	-	1	2844940-1	AIR FEED MODULE	238	
-	REF	REF	REF	REF	REF	994970-2	COUNTER, MAGNETIC	164	
5	-	1	1	1	1	2119955-1	ASSY, LUBRICATOR, SIDE FEED	113	
-	1	1	1	1	1	2844908-1	SCREW, LOCKING	99	
-	1	1	1	1	1	2844907-1	POST, LOCKING	98	
-	1	1	1	1	1	455888-4	SPACER, CRIMPER -	82	
-	2	2	2	2	2	2168083-1	SCR, SKT HD CAP, RoHS, M3 X 8.0	79	
-	1	1	1	1	1	1633782-2	FENCE	78	
-	1	1	1	1	1	1803607-3	DOCUMENTATION PACKAGE	71	
-	1	1	1	1	1	2119791-5	DEPRESSOR, WIRE	70	
-	1	1	1	1	1	2119740-1	TAG, IDENTIFICATION	67	
-	2	2	2	2	2	2168078-1	SCREW, DRIVE, RH, RoHS, 2 x .188	66	
-	1	1	1	1	1	2168083-2	SCR, SKT HD CAP, RoHS, M4 X 8.0	60	
-	1	1	1	1	1	5-18022-5	SCR, HEX HD CAP, M4 X 6.0	59	
-	1	1	1	1	1	1338685-1	PAWL, FEED	56	
-	4	4	4	4	4	2168083-3	SCR, SKT HD CAP, RoHS, M4 X 12.0	54	
-	2	2	2	2	2	2-2168083-5	SCR, SKT HD CAP, RoHS, M4 X 14	53	
6	-	1	2	-	1	18023-9	SCR, SKT HD CAP M4 X 6.0	49	
-	-	1	-	-	1	2119652-1	FEED CAM, PRE FEED	48	
-	-	1	-	-	1	2119653-1	FEED CAM, POST FEED	47	
-	-	-	1	1	1	1803583-9	APPLICATOR BASIC ASSEMBLY, SF	46	
-	1	1	1	1	1	1803515-1	RAM ASSEMBLY, SF ATLANTIC	44	
-	1	1	1	1	1	1803602-1	SCR, BHSC, RoHS (M8 X 25)	41	
-	1	1	1	1	1	9-1752356-7	SUPPORT, TERMINAL	34	
-	2	2	2	2	2	2079383-5	SCR, BHSC, RoHS (M4 X 20)	33	
-	2	2	2	2	2	2-2844962-6	SPACER, CYLINDRICAL, STRIP GUIDE	30	
-	1	1	1	1	1	2844992-2	ASSEMBLY, STRIP GUIDE -	29	
-	1	1	1	1	1	1320928-2	STRIP GUIDE -	24	
-	-	-	1	1	1	2168083-2	SCR, SKT HD CAP, RoHS, M4 X 8.0	21	
-	1	1	2	2	2	1-18028-2	WASHER, FLAT, REG M4	20	
-	-	-	1	1	1	2119533-1	STRIPPER, SIDE FEED	19	
1	-	1	1	1	1	2119806-1	INSERT, SHEAR	13	
-	1	1	1	1	1	3-22280-3	SPRING, COMPRESSION	12	
-	1	1	1	1	1	1-356885-4	STOP, SHEAR	11	
1	-	1	1	1	1	2119805-1	SHEAR HOLDER, FRONT -	10	
1	-	1	1	1	1	1803095-6	FLOATING SHEAR, FRONT -	9	
1	1	1	1	1	1	2-1803751-8	ANVIL, COMBINATION	8	
-	1	1	1	1	1	240641-8	SPACER	7	
-	-	-	-	-	-	-	-	6	
-	1	1	1	1	1	2119757-8	DEPRESSOR, SHEAR	5	
-	1	1	1	1	1	238011-2	BLOCK, CRIMPER SPACER	4	
1	1	1	1	1	1	1-1803453-1	CRIMPER, INSULATION O	3	
-	-	-	-	-	-	-	-	2	
1	1	1	1	1	1	3-456403-8	CRIMPER, WIRE PREMIUM	1	
-	77	-52	-51	-32	-2	-1	PART NO	DESCRIPTION	ITEM NO

DIMENSIONS: mm 		TOLERANCES UNLESS OTHERWISE SPECIFIED: 0 PLC ± 1 PLC ± 2 PLC ± 3 PLC ± 4 PLC ± ANGLES ± FINISH		DWN R. KNEPPER 21MAY2013 CHK G. BAILEY 21MAY2013 APVD M. CLIFFORD 21MAY2013	NAME Ocean Side Feed Applicator
MATERIAL		FINISH		WEIGHT A1 00779 C=2151068	SIZE CAGE CODE DRAWING NO RESTRICTED TO A1 00779 C=2151068
Customer Accessible Production Drawing				SCALE 1:2	SHEET 1 OF 4 REV S1

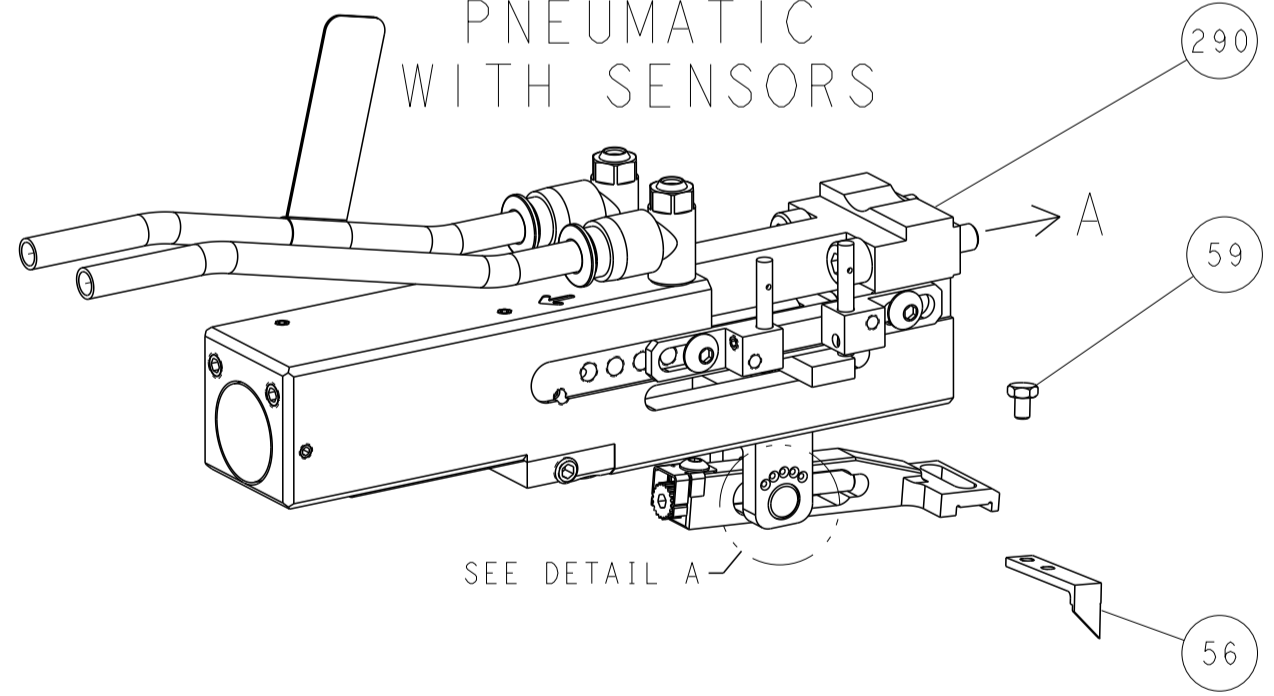
# FEED TYPE MECHANICAL



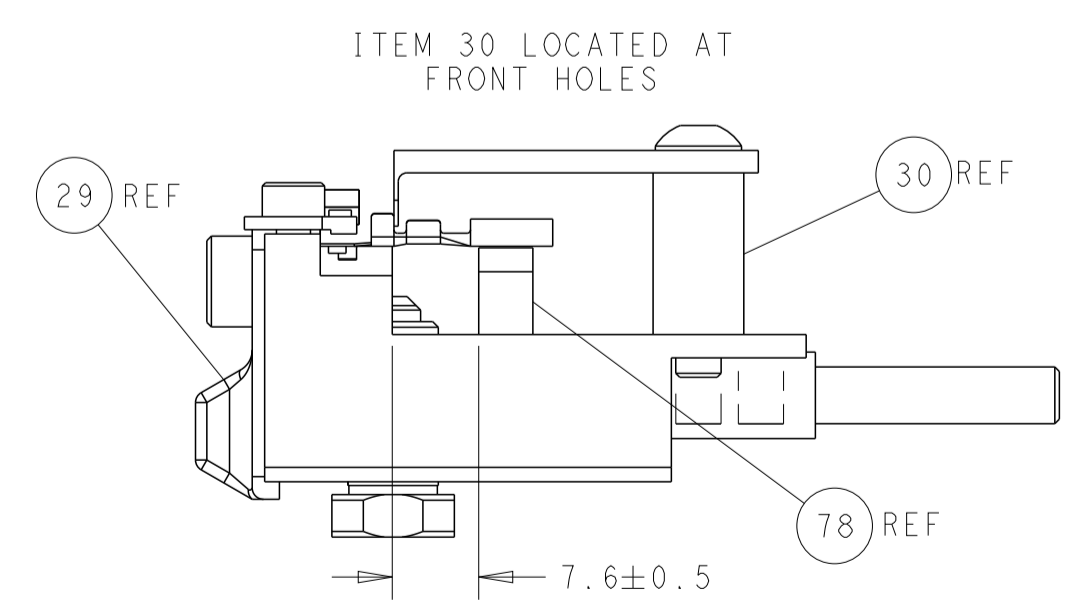
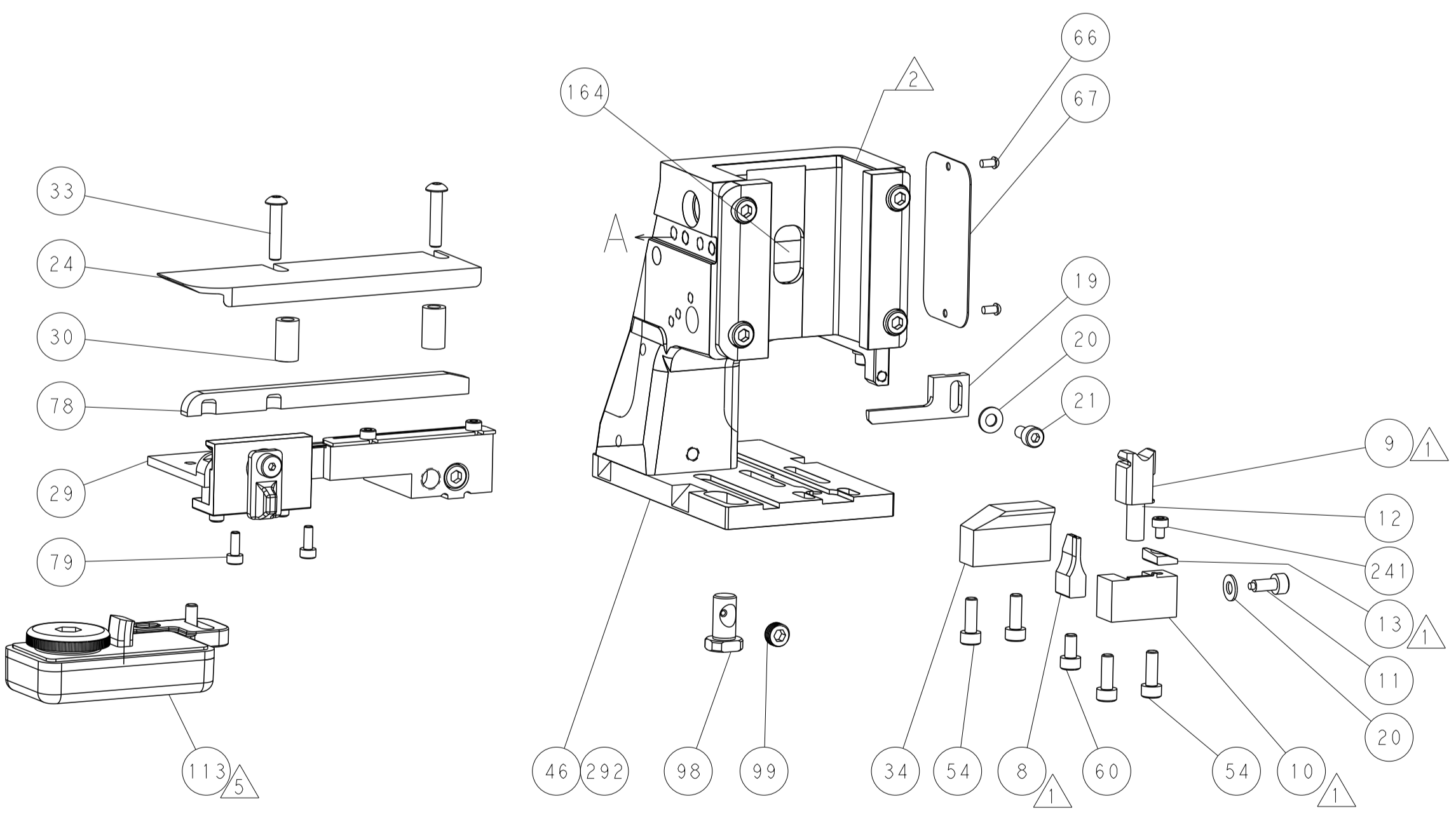
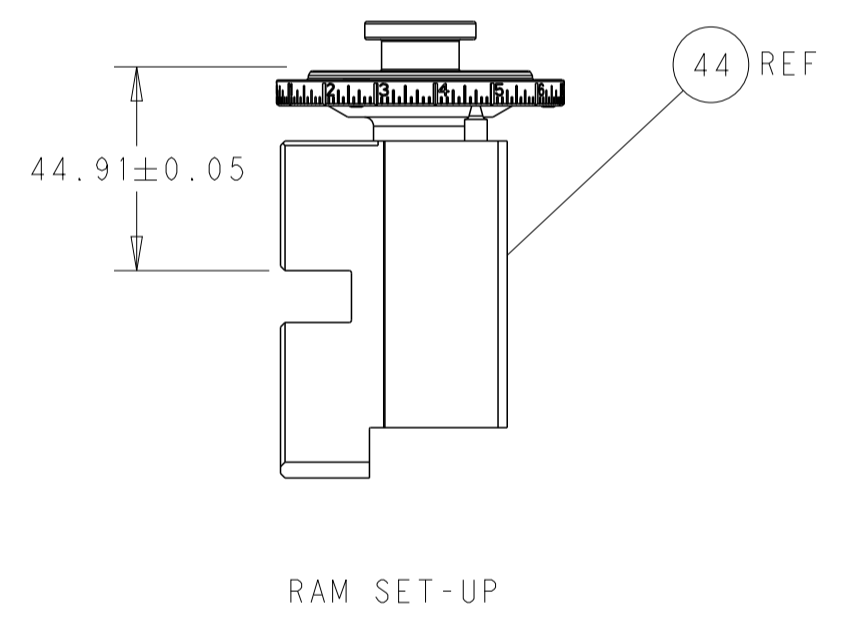
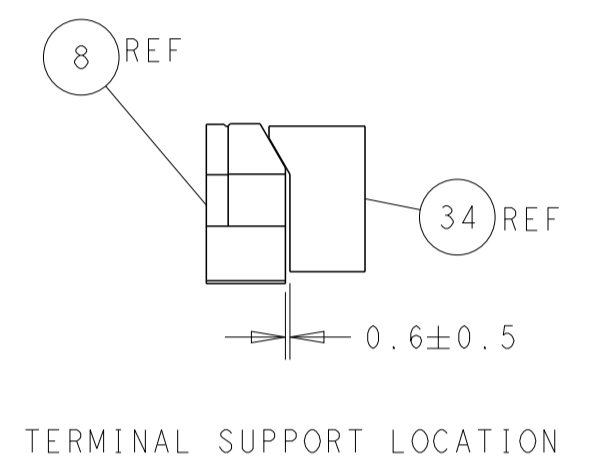
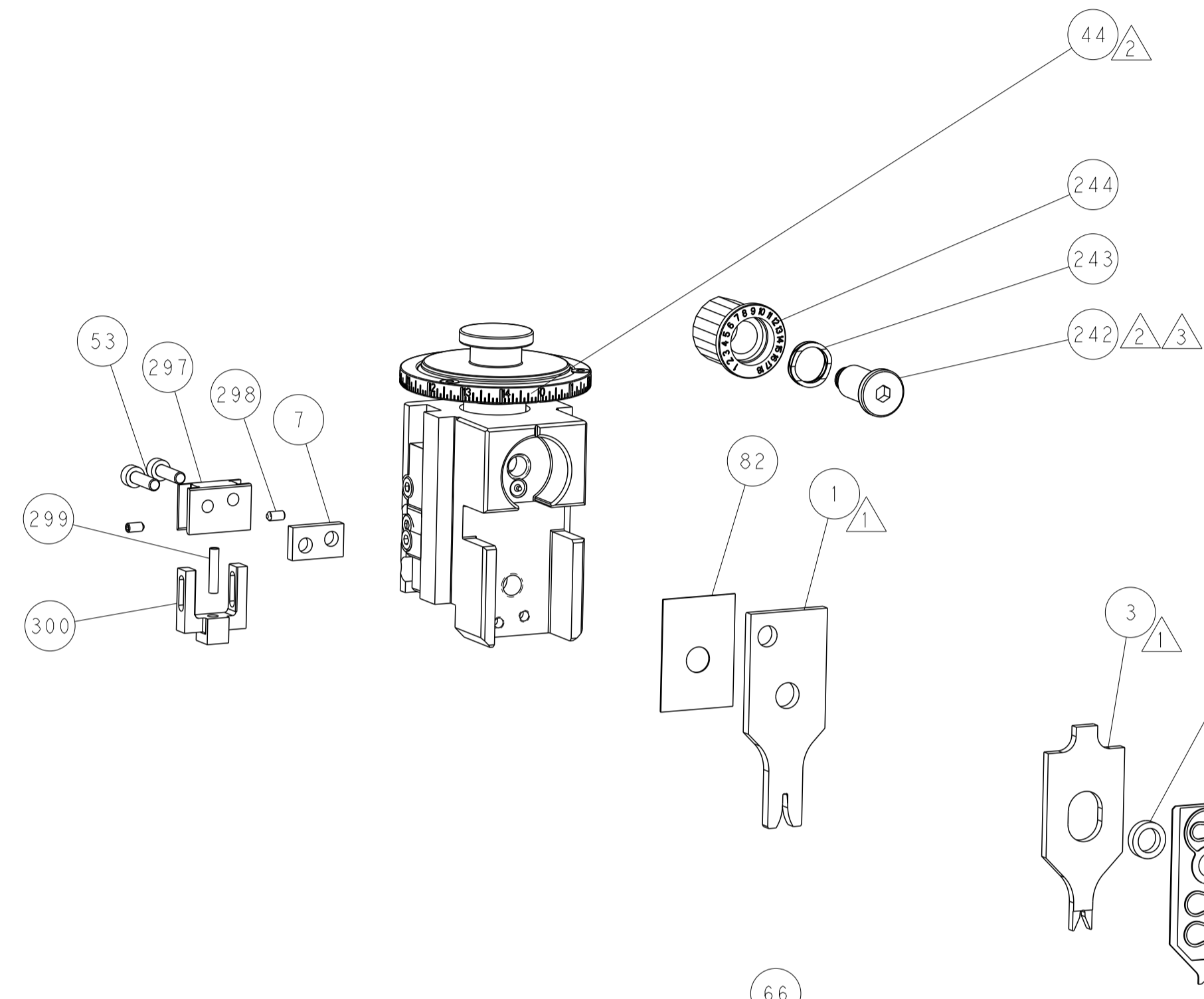
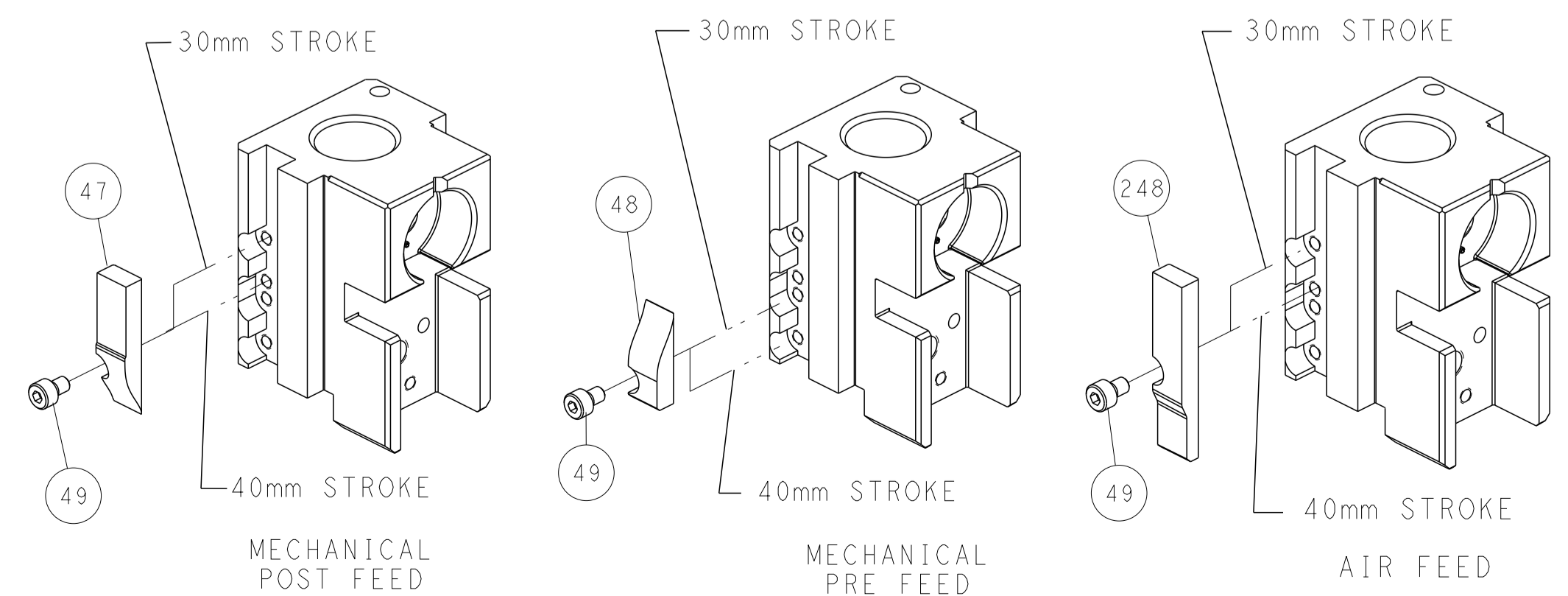
FEED SPRING SETTING POSITION (SHOWN FROM REAR SIDE)



DOUBLE ACTING PNEUMATIC WITH SENSORS



## CAM POSITIONS



LOC	DIST	REVISIONS					
A	66	P	LTN	DESCRIPTION	DATE	OWN	APVD
		-		SEE SHEET 1			

<small>THIS DRAWING IS UNPUBLISHED. RELEASED FOR PUBLICATION</small> <small>THIS DRAWING IS UNPUBLISHED. RELEASED FOR PUBLICATION</small> <small>THIS DRAWING IS UNPUBLISHED. RELEASED FOR PUBLICATION</small>		DWN: R. KNEPPER 21MAY2013 CHK: G. BAILEY 21MAY2013 APVD: M. CLIFFORD 21MAY2013	TE Connectivity Harrisburg, PA 17105-3608
DIMENSIONS: mm TOLERANCES UNLESS OTHERWISE SPECIFIED: 0 PLC ± 1 PLC ± 2 PLC ± 3 PLC ± 4 PLC ± ANGLES ± FINISH ±		NAME: Ocean Side Feed Applicator APPLICATION SPEC: - PRODUCT SPEC: - SIZE: A1 CAGE CODE: 00779 DRAWING NO: 2151068	RESTRICTED TO: - SCALE: 1:2 SHEET: 2 OF 4 REV: S1
MATERIAL: - WEIGHT: -		Customer Accessible Production Drawing	