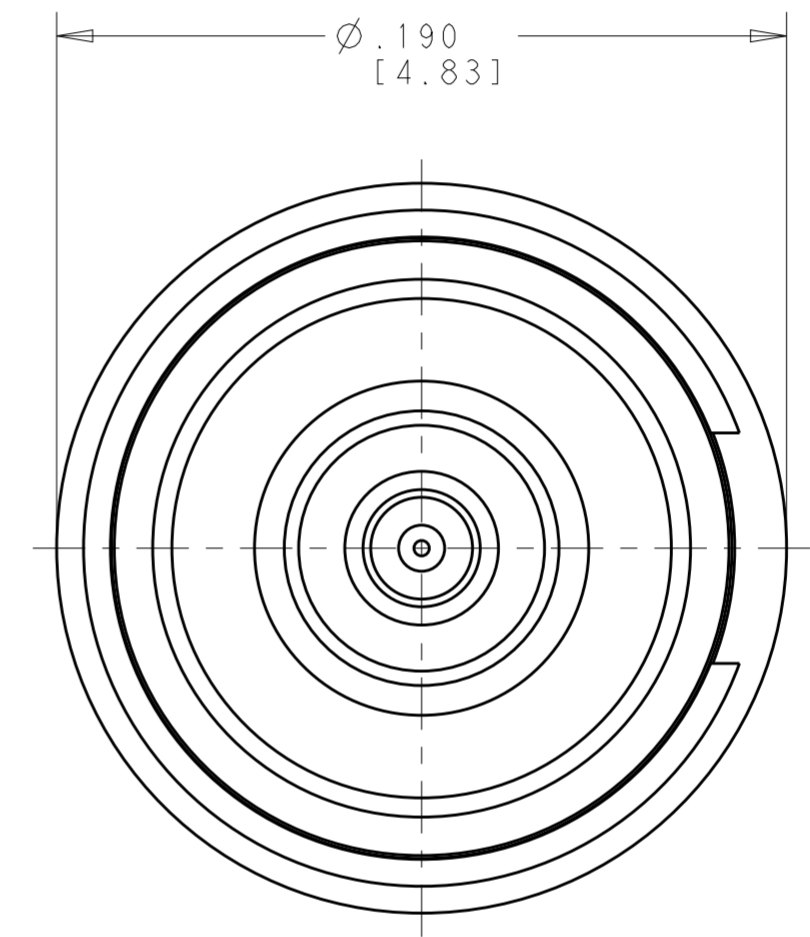
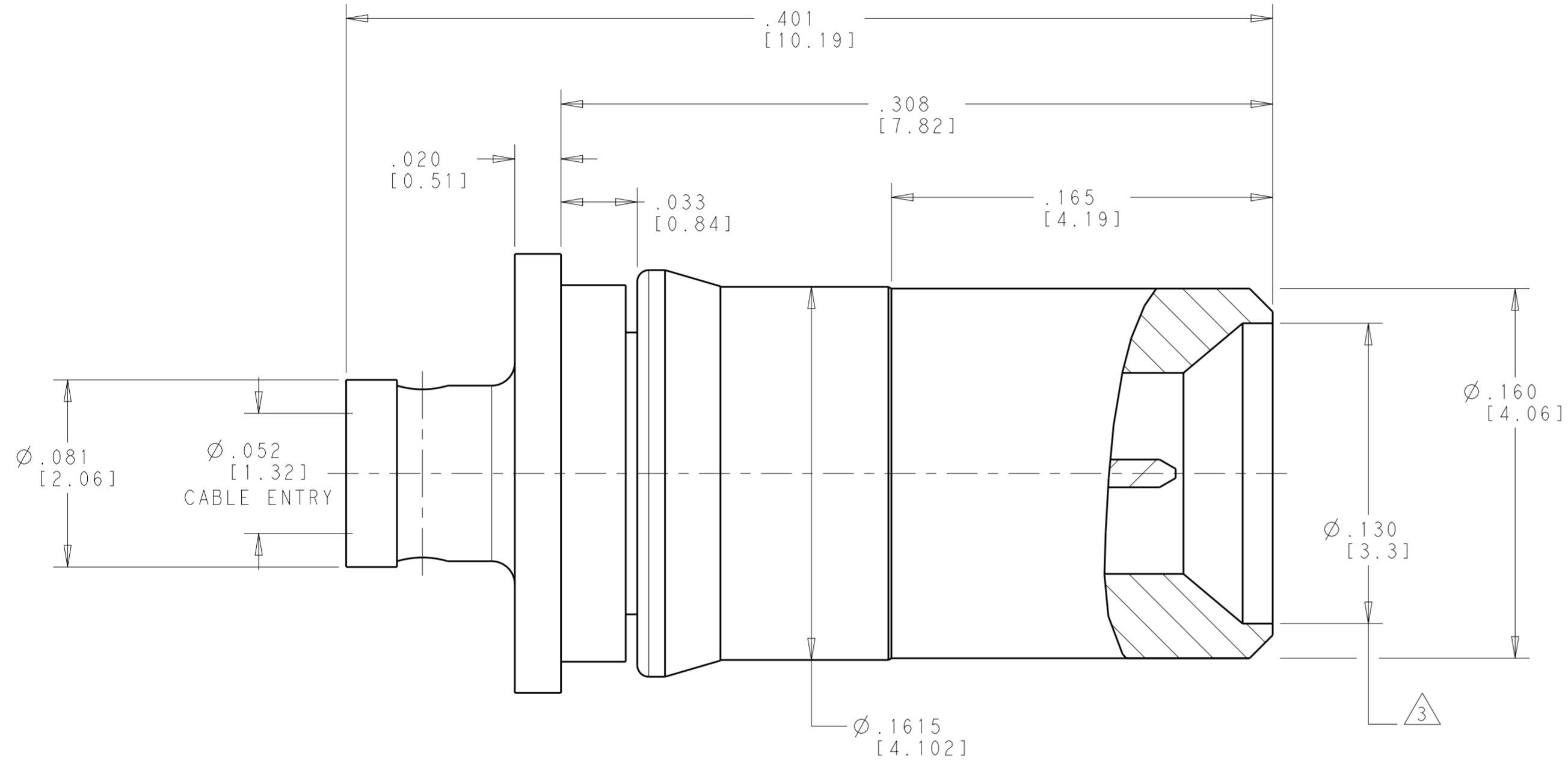


THIS DRAWING IS UNPUBLISHED. RELEASED FOR PUBLICATION
 © COPYRIGHT - BY - ALL RIGHTS RESERVED.

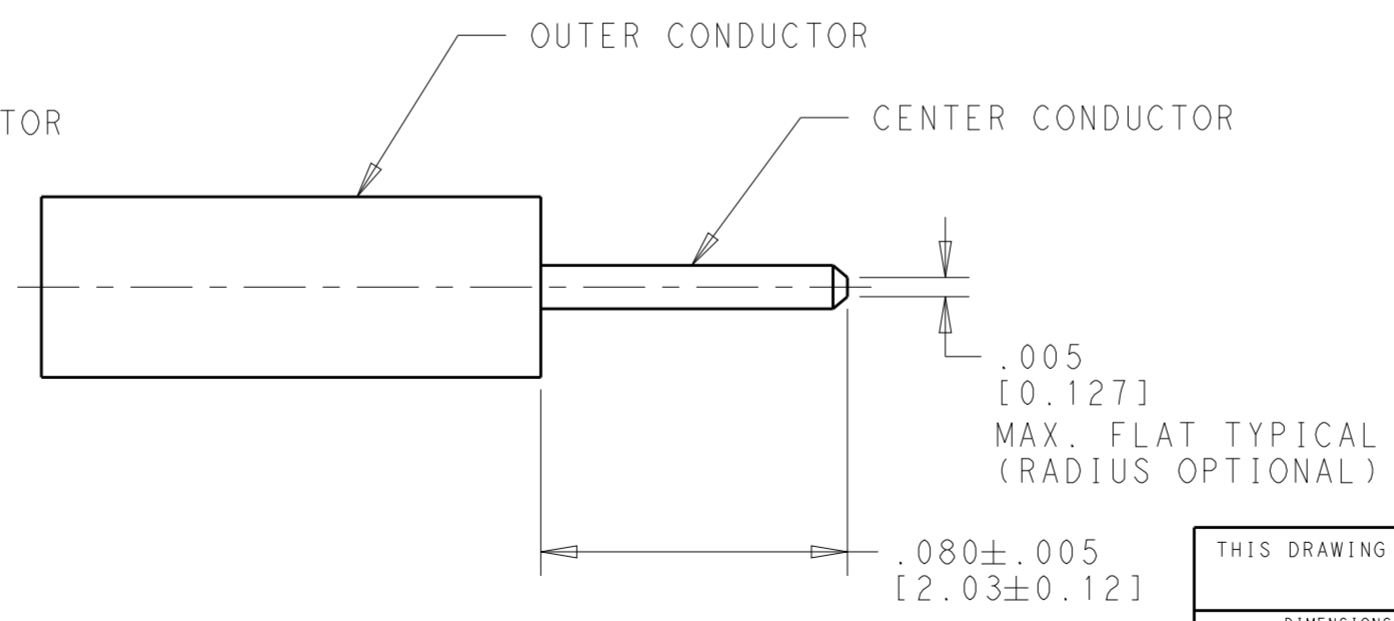
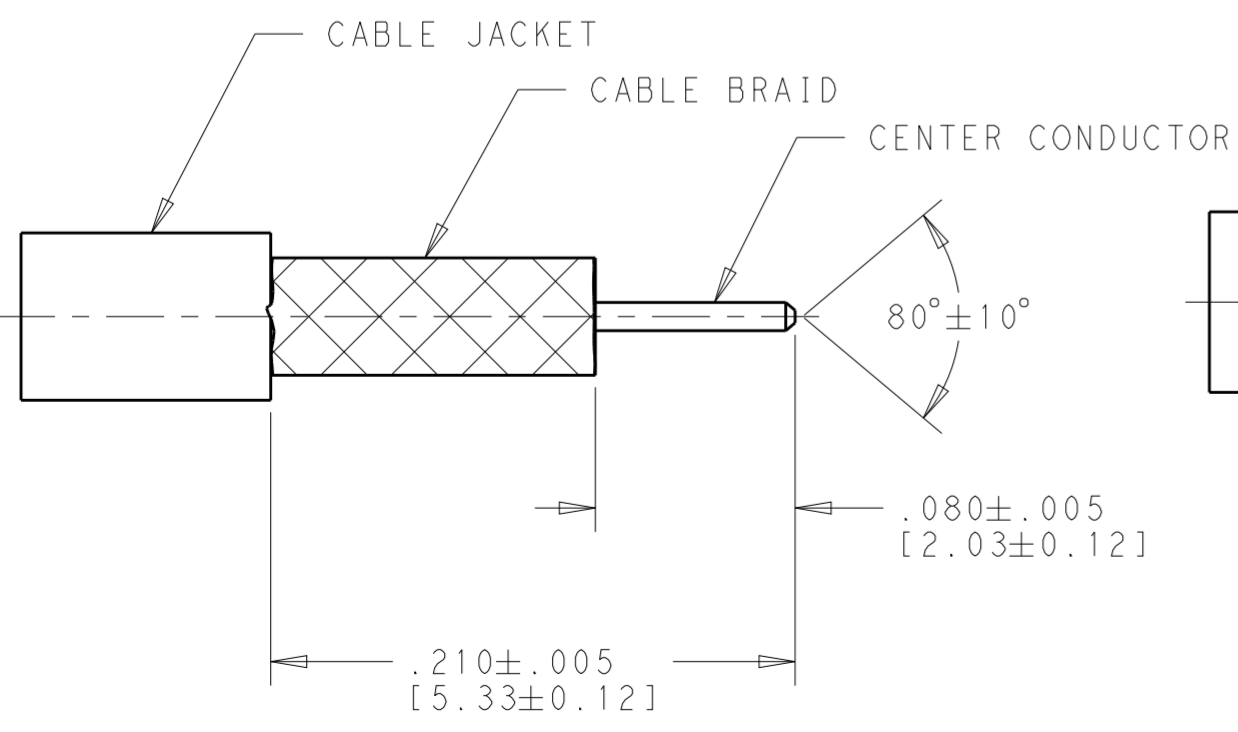
LOC		DIST		REVISIONS			
P	LTR	DESCRIPTION	DATE	DWN	APVD		
-	-	A	RELEASED PER ECO 13-014257	9-16-13	CT	WM	

- 1 MATERIAL:
 BODY, OUTER CONTACT, RETAINING RING & CENTER CONTACT
 BERYLIUM COPPER, ALLOY UNS C17300 CONDITION TDO4, PER ASTM B196.
 INSULATOR - TEFLON (PTFE) ROD, PER ASTM D 1710.
- 2 FINISH:
 BODY & CENTER CONTACT - GOLD PLATE, PER ASTM B488
 OVER NICKEL PLATE PER, SAE-AMS-QQ-N-290
 RETAINING RING - NICKEL PLATE PER, SAE-AMS-QQ-N-290
- 3 SMPM MALE SMOOTH BORE, PER MIL-STD-348,
 EXCEPT AS NOTED.



CABLE PREPARATION FOR Ø.047 FLEXIBLE CABLES

CABLE PREPARATION FOR Ø.047 SEMI-RIGID & CONFORMABLE CABLES



2157248-1
 PART NUMBER

THIS DRAWING IS A CONTROLLED DOCUMENT.		DWN S. T. Morley 06 JAN 2011	TE Connectivity		
DIMENSIONS: INCHES [mm]		CHK S. T. Morley 06 JAN 2011			
TOLERANCES UNLESS OTHERWISE SPECIFIED:		APVD S. T. Morley 06 JAN 2011	NAME SMPM STRAIGHT CABLE PLUG (M) PANEL MOUNT - SOLDER ATTACHMENT FOR USE WITH .047 DIA. CABLE		
0 PLC ±.1 1 PLC ±.02 2 PLC ±.005 3 PLC ±. 4 PLC ±. ANGLES ±. FINISH		PRODUCT SPEC - APPLICATION SPEC - WEIGHT -	SIZE A2	CAGE CODE 00779	DRAWING NO. C-2157248
MATERIAL 1		Customer Drawing		RESTRICTED TO -	
2		SCALE 13:1		SHEET 1 OF 1	
				REV A	