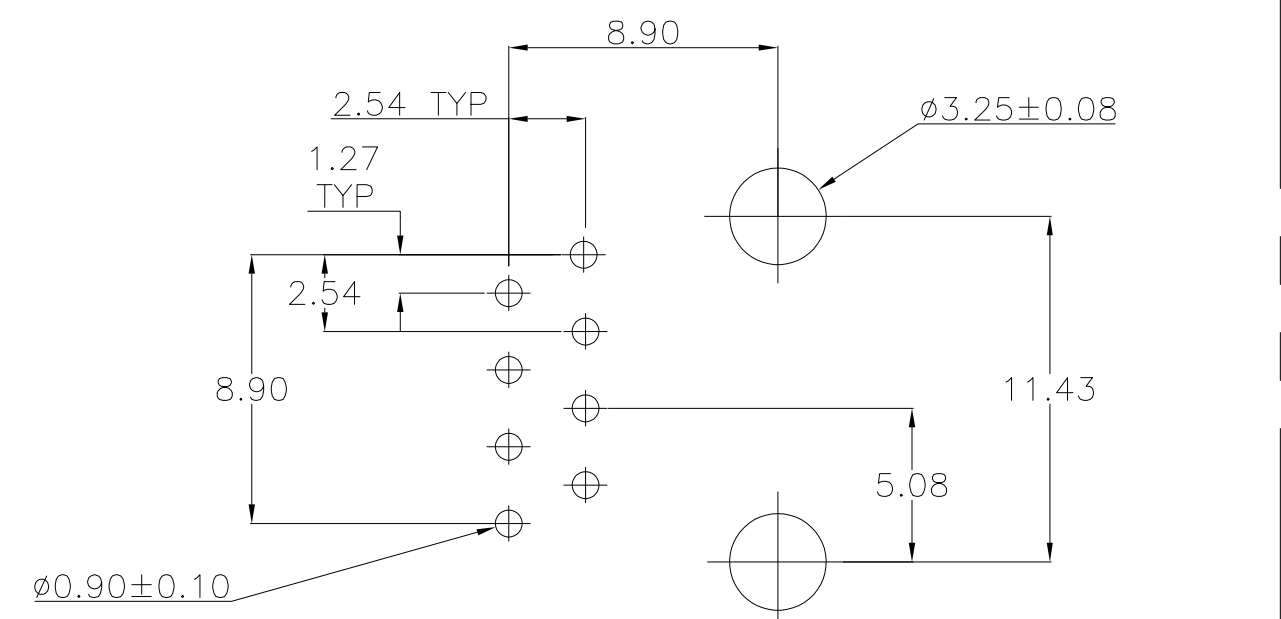
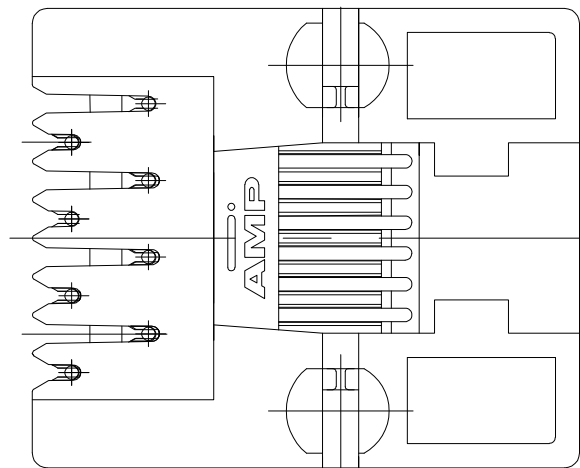
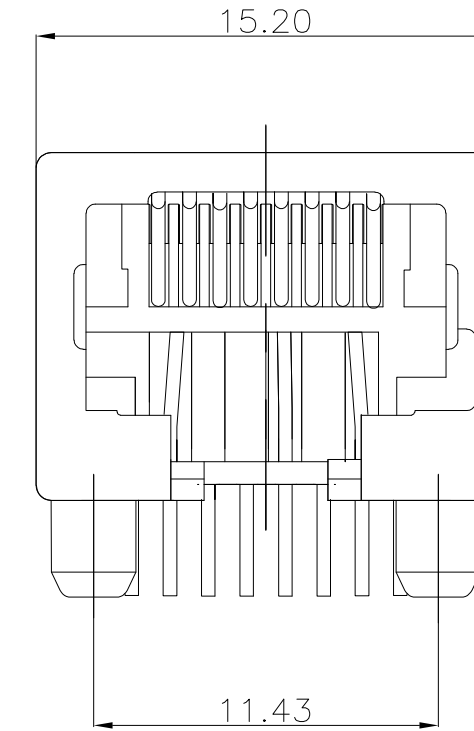
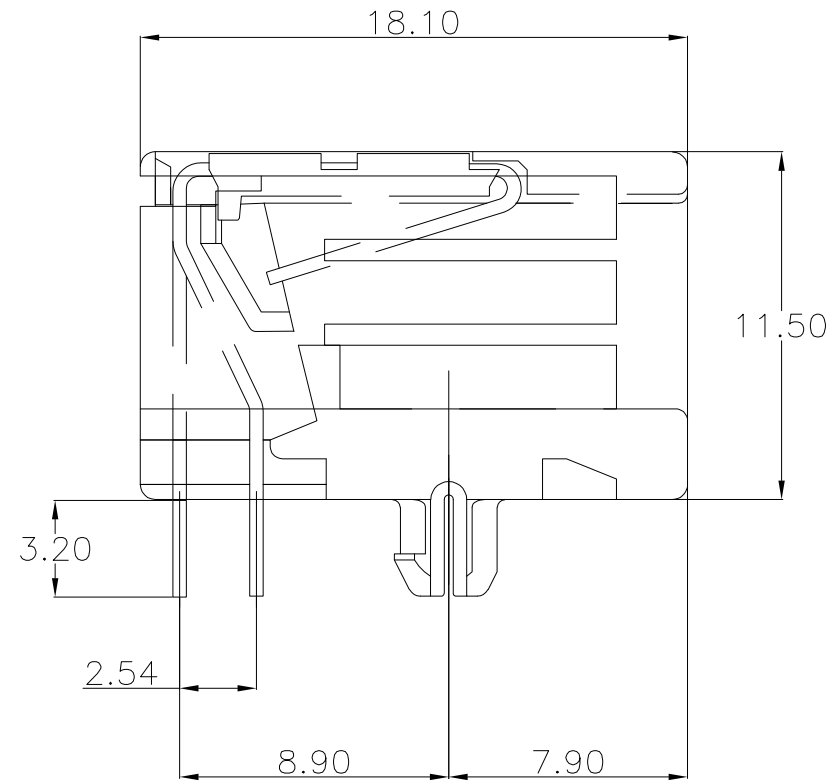
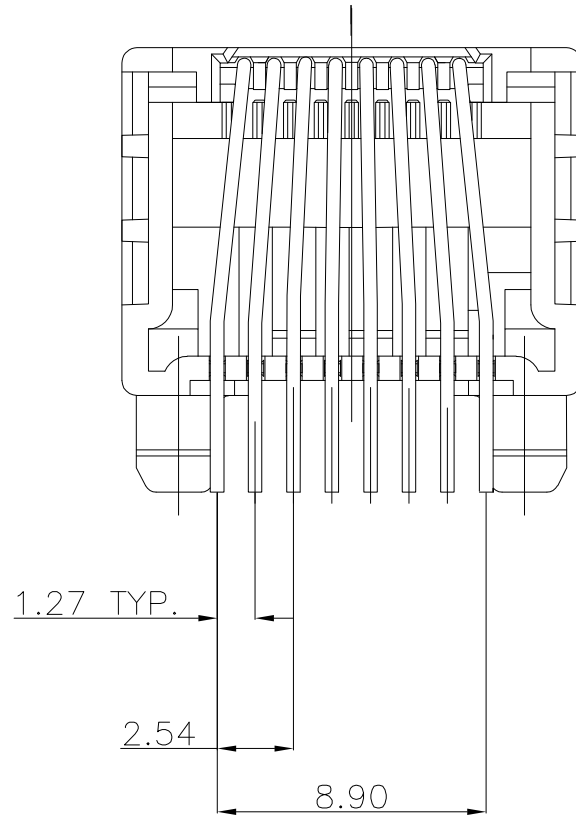
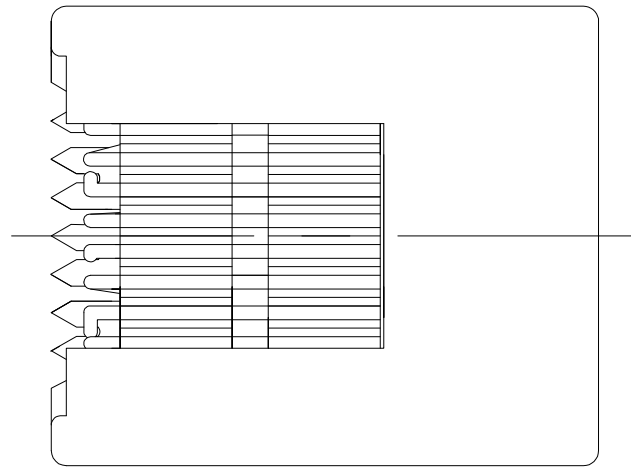


THIS DRAWING IS UNPUBLISHED. RELEASED FOR PUBLICATION
 © COPYRIGHT - By - ALL RIGHTS RESERVED.

| LOC | DIST | REVISIONS | | | | | |
|-----|------|-----------|-----|---------------|-----------|-----|------|
| | | P | LTR | DESCRIPTION | DATE | DWN | APVD |
| IR | - | L | | ECR-10-020218 | 21JUN2011 | PS | RRP |
| | | | | | | | |

NOTES:

- FOR APPLICATION INFORMATION SEE SPEC. 114-19019.
- FOR PERFORMANCE REQUIREMENTS SEE SPEC. 108-19064.
- TOLERANCES UNLESS OTHERWISE SPECIFIED: ± 0.15 .
- FOR THIS PACKAGING METHOD THE TRUE POSITION OF THE SOLDER TINES IS NOT GUARANTEED.



PRINTED CIRCUIT BOARD LAYOUT
 VIEW SHOWN IS CIRCUIT (NONCOMPONENT) SIDE OF BOARD.
 PRINTED CIRCUIT BOARD THICKNESS: 1.6 mm NOMINAL.
 TOLERANCES UNLESS OTHERWISE SPECIFIED:

| | | | | |
|----------------------------|--------------------|---|--|--------------|
| 1000 PIECES BULK PACKAGED | 8 POS./ 8 CONTACTS | OVERALL: Ni 1.27 μ m MIN. ALL OVER THE CONTACTS SOLDER ZONE: Sn 2.5 μ m MIN. ON THE SOLDER ZONE OF THE CONTACT | HOUSING COLOR BLACK: PBT, UL 94V-0 CONTACT INSERT: PBT, UL 94V-0 CONTACTS: Ph BRONZE | 2-215878-1 |
| TAPE MOUNTED 700 PCS./REEL | | MATING ZONE: PLATING CONFIRMS TO PRODUCT REQUIREMENTS AS PER SPECIFICATION 108-19064 | | 215878-1 |
| PACKAGING | REMARKS | FINISH | MATERIAL | ORDER NUMBER |

| | | | | |
|--|--|----------------------------|---|-----------------|
| THIS DRAWING IS A CONTROLLED DOCUMENT. | | DWN 15NOV88 C.A.STERKEN | TE Connectivity | |
| DIMENSIONS: mm | | CHK W.BRUMMANS | | |
| TOLERANCES UNLESS OTHERWISE SPECIFIED: | | APVD L.V.SOEST | NAME | |
| 0 PLC \pm - | | PRODUCT SPEC 108-19064 | MODULAR JACK, 8 POS. 90 DEG LOW PROFILE FOR PRINTED CIRCUIT BOARD | |
| 1 PLC \pm - | | APPLICATION SPEC 114-19019 | SIZE A2 | CAGE CODE 00779 |
| 2 PLC \pm - | | WEIGHT - | DRAWING NO C=215878 | RESTRICTED TO - |
| 3 PLC \pm - | | CUSTOMER DRAWING | | |
| 4 PLC \pm - | | SCALE - | SHEET 1 of 1 | REV L |
| ANGLES \pm - | | | | |
| MATERIAL SEE NOTES | | | | |
| FINISH SEE NOTES | | | | |