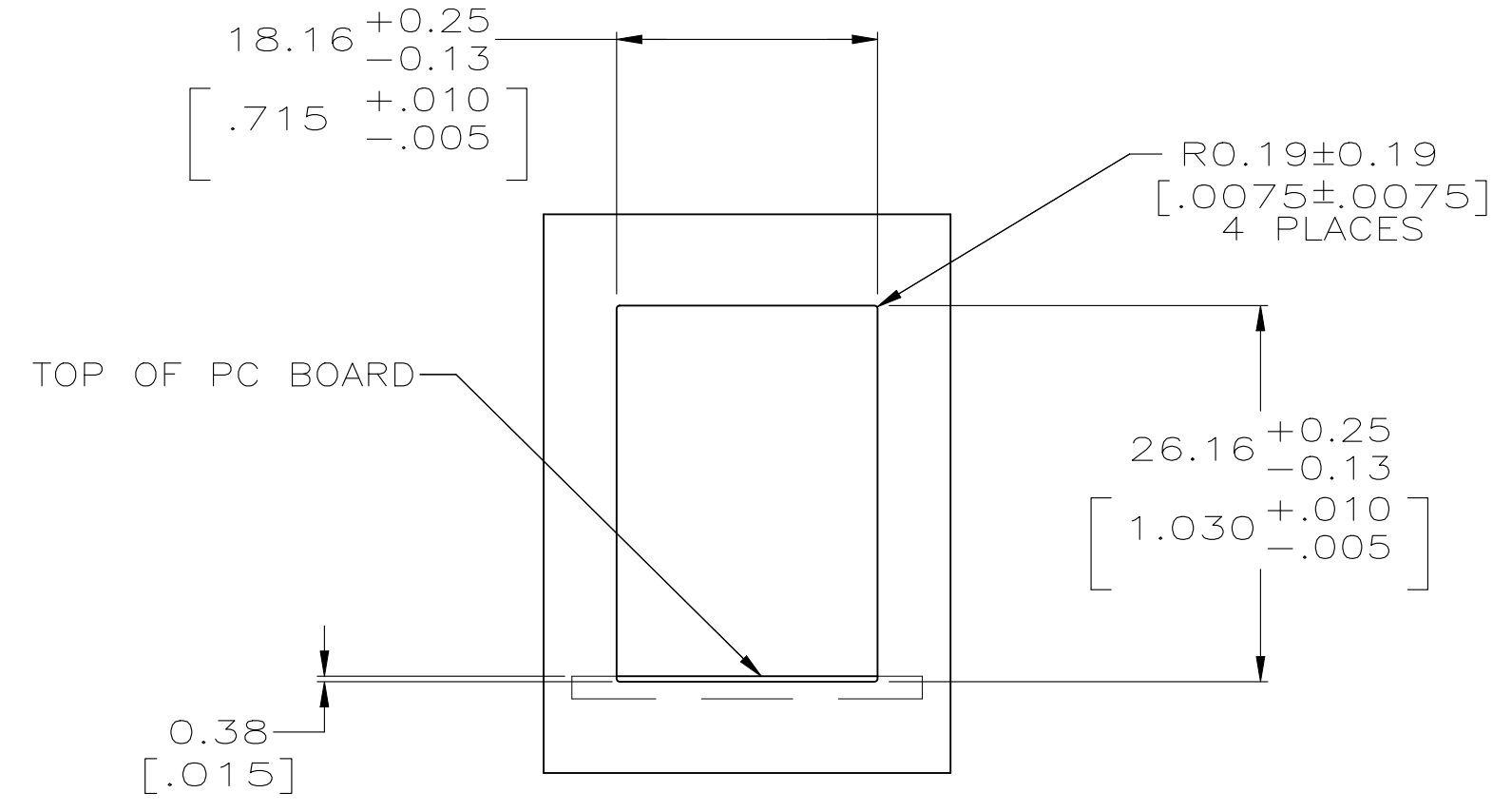
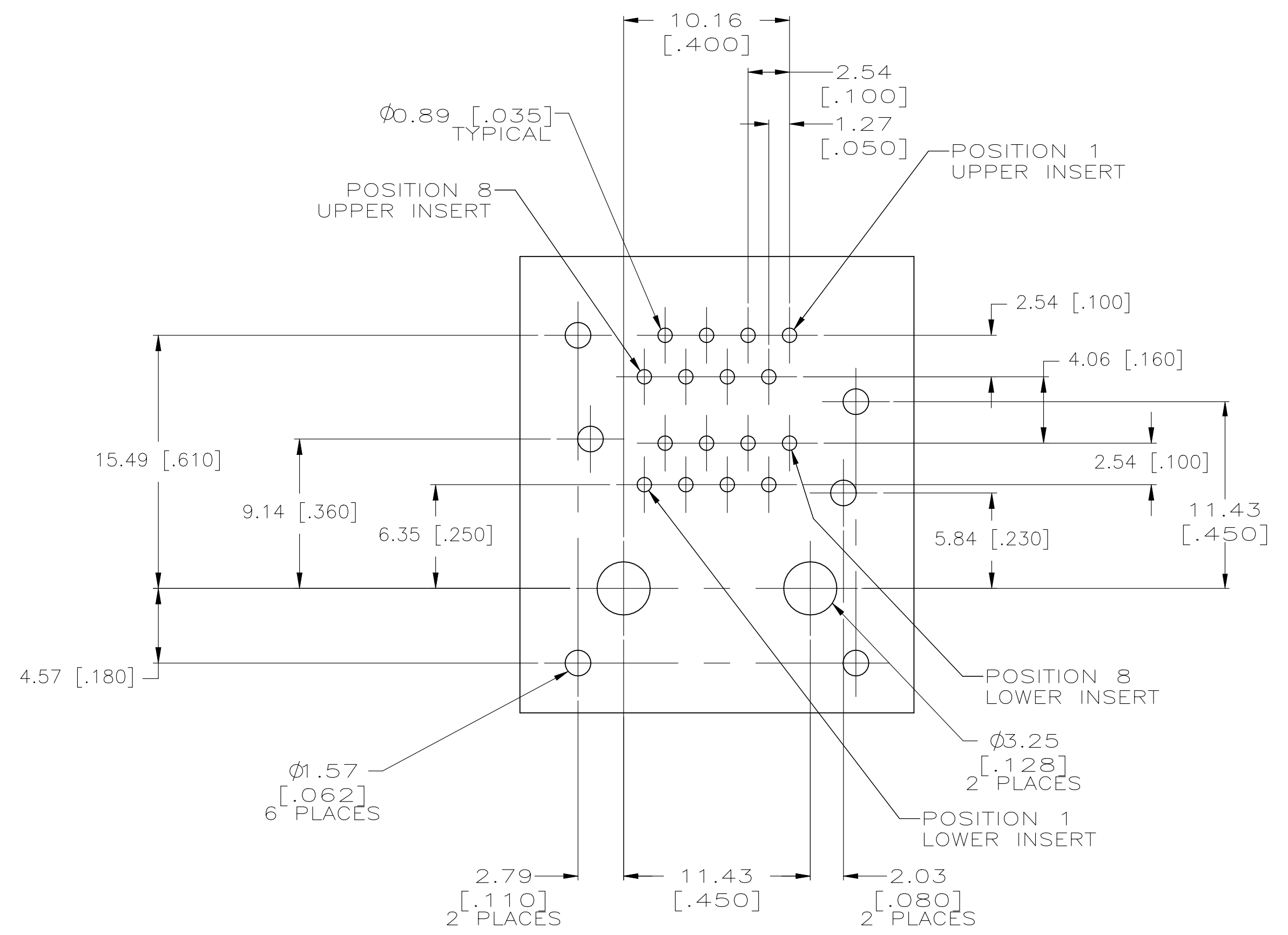
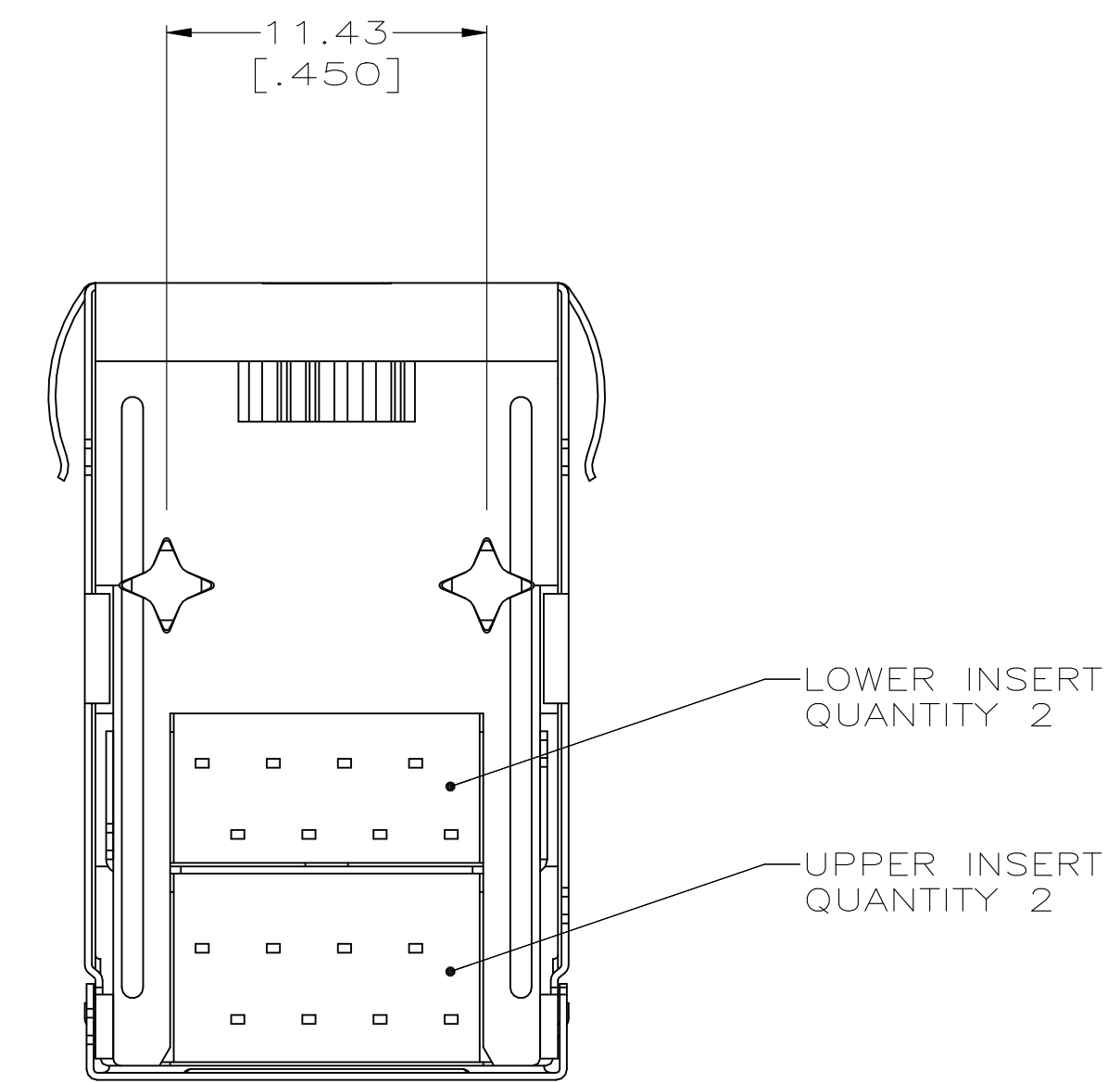
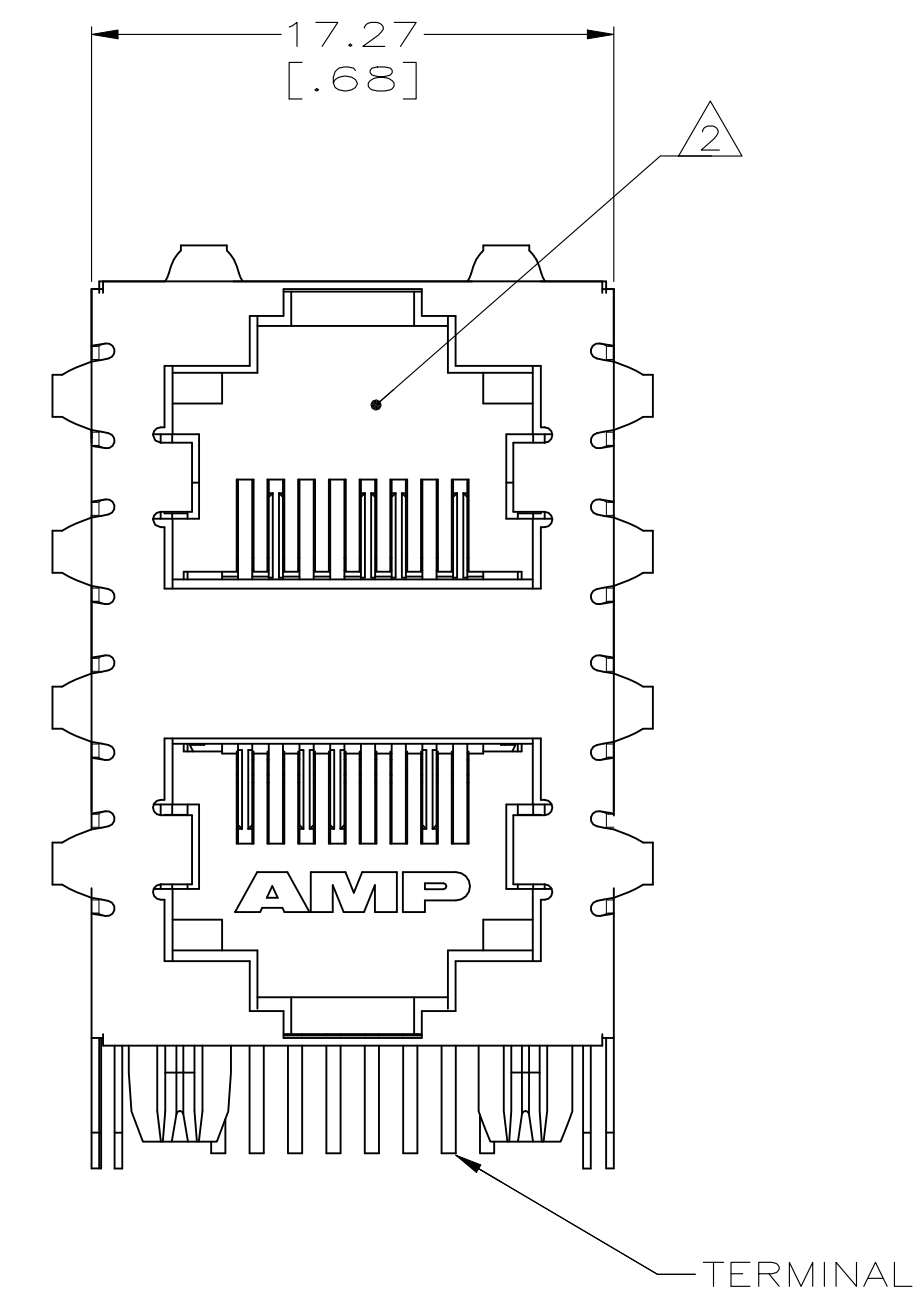
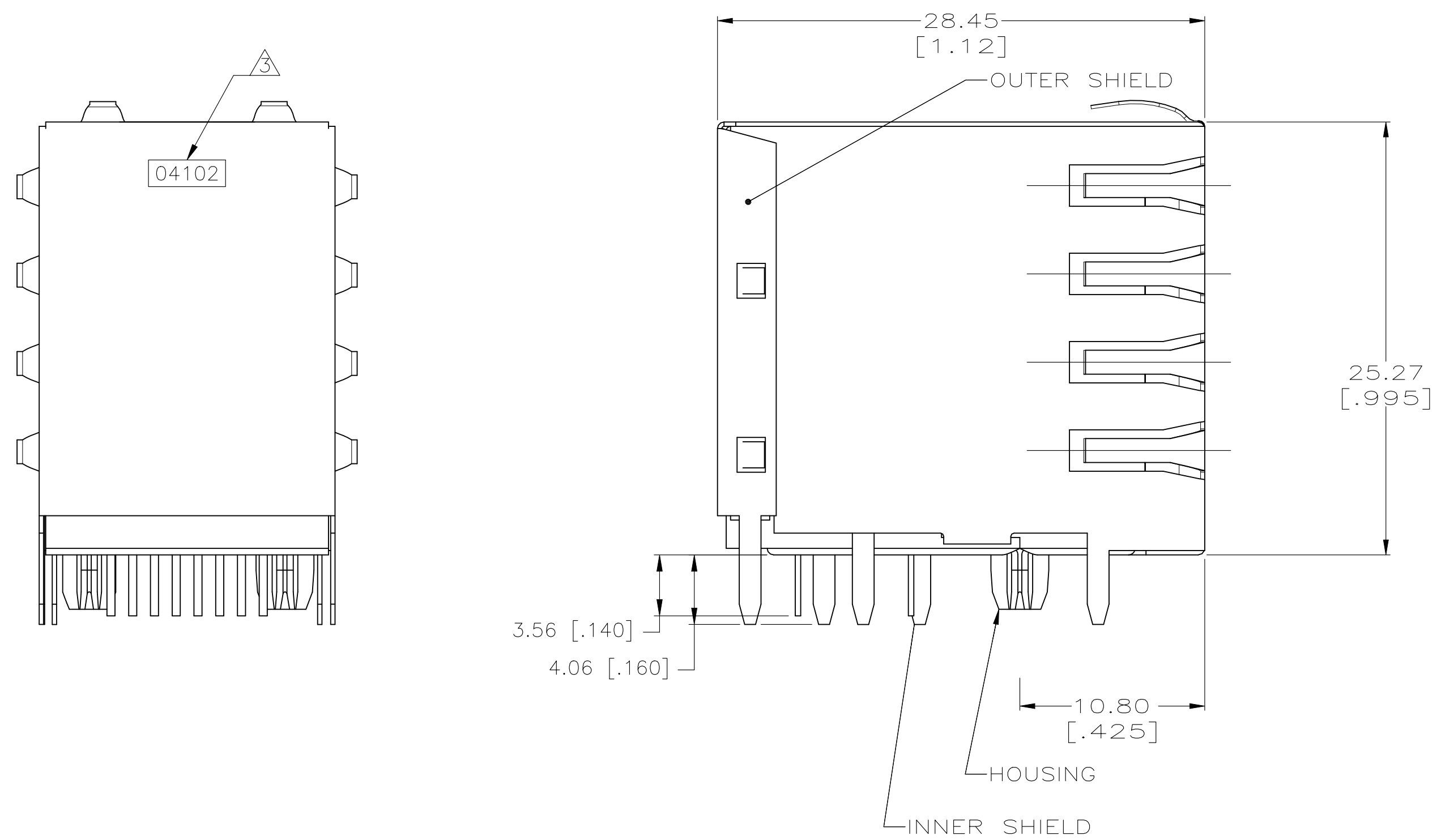


REVISIONS					
REV	DESCRIPTION	DATE	BY	APP'D	
A1	MODIFIED AS PER ECR-23-169440	31MAR2023	KV	HW	

- MATERIAL:  
 HOUSING - PCT POLYESTER, BLACK, UL94V-0.  
 OVERMOLDED TERMINAL ARRAY - PBT, BROWN.  
 TERMINALS - 0.33 [.013] THICK PHOS BRONZE  
 PLATED WITH 1.27um [.000050] MIN THICK  
 HARD GOLD IN LOCALIZED AREA AND 3.81um  
 [.000150] MIN THICK MATTE TIN IN SOLDER  
 AREA OVER 1.27um [.000050] MIN THICK  
 NICKEL UNDERPLATE.  
 OUTER AND INNER SHIELDS-0.25 [.010] THICK  
 COPPER ALLOY PLATED WITH 1.27 um [.000050]  
 MINIMUM NICKEL AND 2.03 um [.000080] MINIMUM  
 HOT TIN DIP ON PCB GROUND TABS.
- JACK CAVITY CONFORMS TO FCC RULES AND REGULATIONS, PART 68 SUBPART F.
- DATE CODE LOCATED ON REAR OF PART APPROXIMATELY AS SHOWN:  
 FIRST 2 DIGITS ARE LAST 2 DIGITS OF YEAR,  
 SECOND 2 DIGITS ARE MANUFACTURING WORK WEEK,  
 LAST DIGIT IS DAY OF WEEK, WITH SUNDAY = 1.



PC BOARD LAYOUT VIEWED FROM COMPONENT SIDE

SUGGESTED PANEL CUTOUT DIMENSIONS SCALE 2:1

2170161-1  
PART NUMBER

THIS DRAWING IS A CONTROLLED DOCUMENT.		DIN D.ZHU 16JUN2011	TE Connectivity	
DIMENSIONS: mm [INCHES]		CHK D.ZHU 16JUN2011	NAME	
TOLERANCES UNLESS OTHERWISE SPECIFIED:		APP'D MQ.W 16JUN2011	PRODUCT SPEC	
0. PLC ± -		108-1163-2		
1. PLC ± -		APPLICATION SPEC		
2. PLC ± 0.25(.01)		114-2048		
3. PLC ± 0.13(.005)		SIZE		
4. PLC ± -		WEIGHT		
ANGLES ± -		0.000000		
MATERIAL SEE NOTE 1		FINISH SEE NOTE 1		RESTRICTED TO
		CUSTOMER DRAWING		SCALE 4:1 SHEET 1 OF 1 REV A1