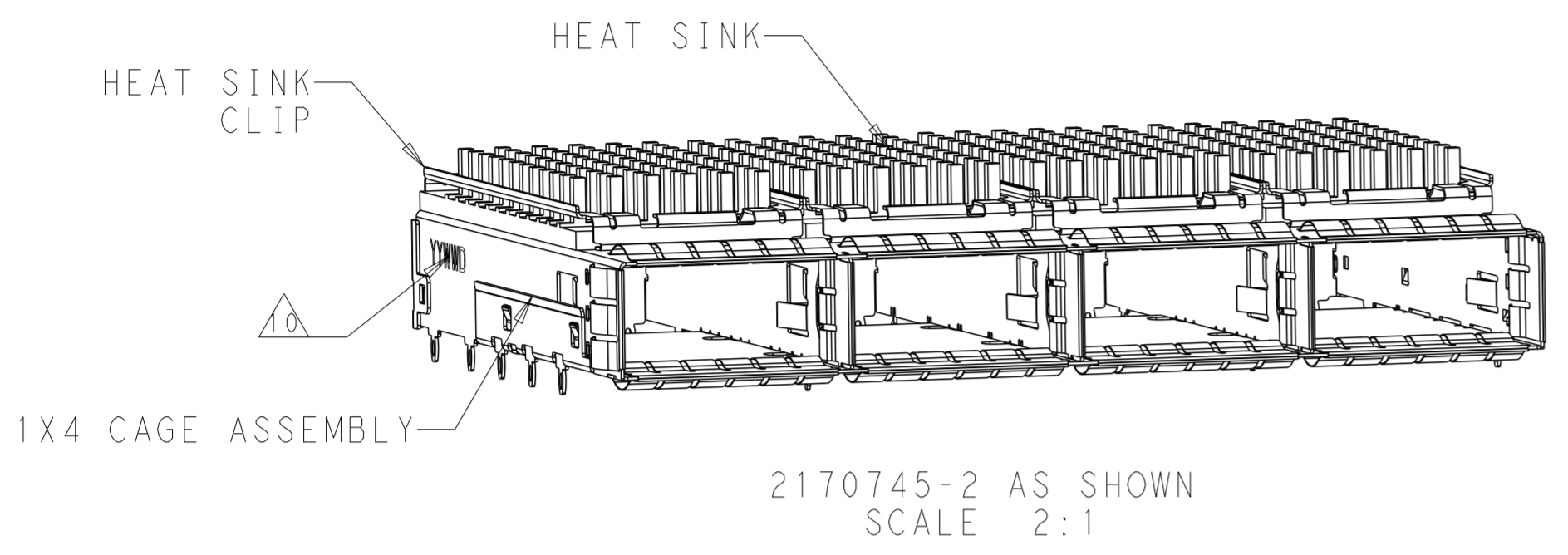


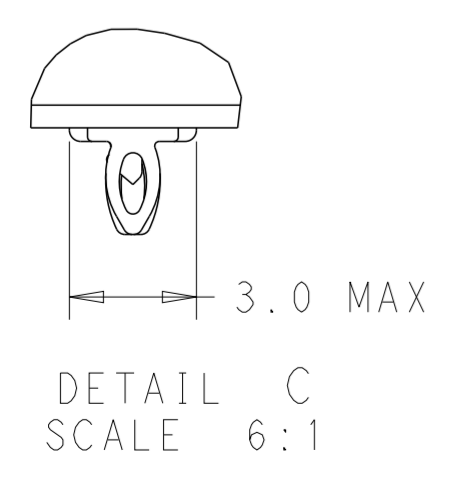
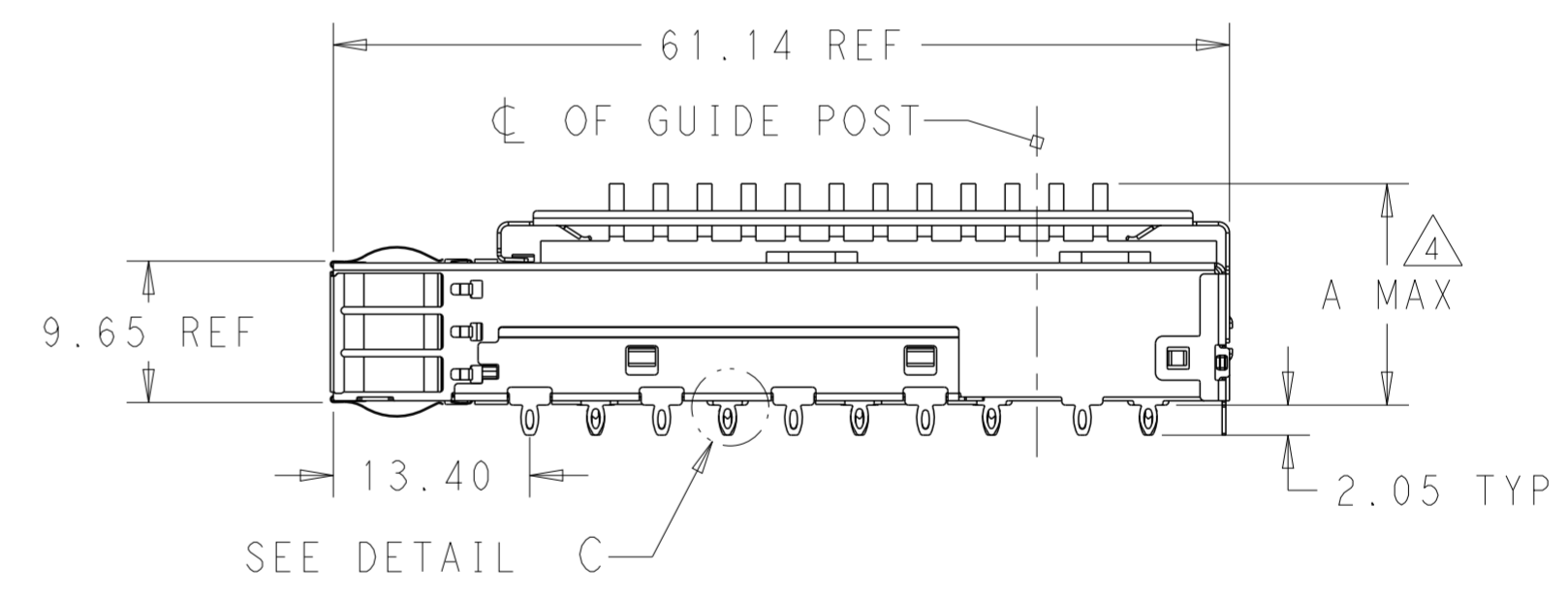
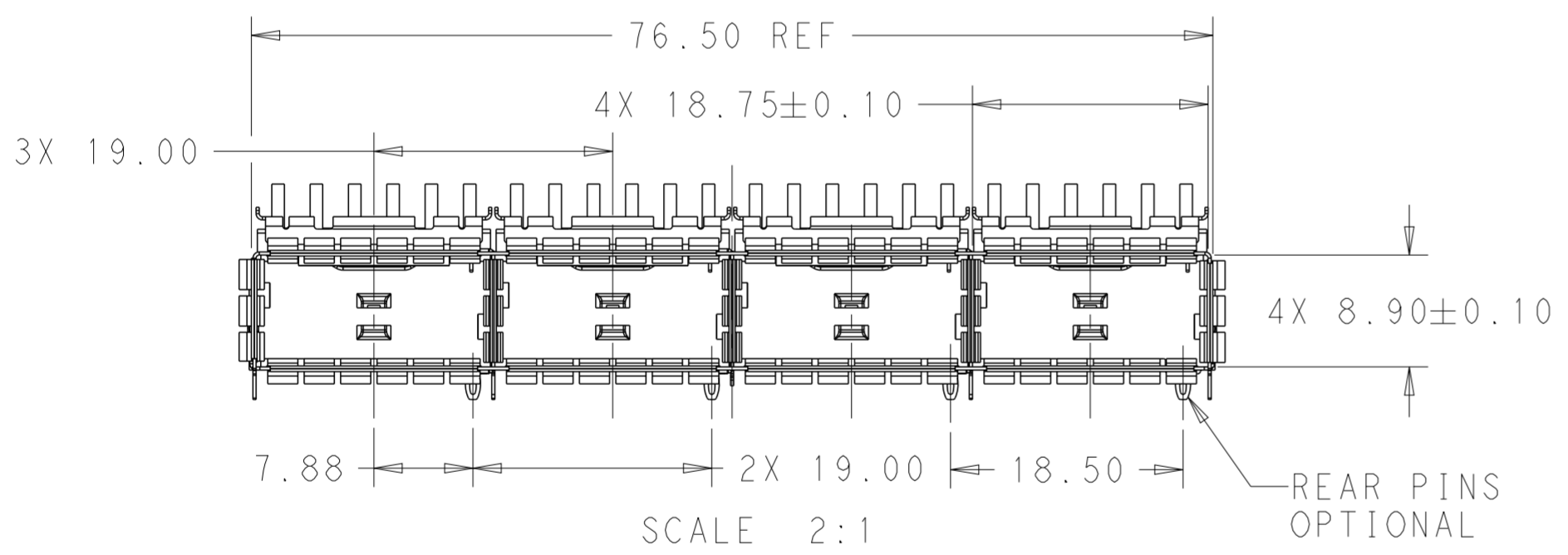
THIS DRAWING IS UNPUBLISHED. RELEASED FOR PUBLICATION 20  
 © COPYRIGHT 20 BY - ALL RIGHTS RESERVED.

REVISIONS				
P	LTR	DESCRIPTION	DATE	APVD
B		REVISED PER ECO-17-007422	23MAY2017	JY SH
C		REVISED PER ECO-17-011898	15AUG2017	JY SH
D		REVISED PER ECO-18-012273	06JUL2018	JY SH
D2		REVISED PER ECN-22-187709	03NOV2022	TP SZ

- COMPONENTS  
 CAGE ASSEMBLY: NICKEL-SILVER ALLOY  
 HEAT SINK: ALUMINUM/BLACK ANODIZE  
 ZIPPER FIN HS: ALUMINUM/NICKEL PLATE  
 ZIPPER FIN HS BASE: ALUMINUM/NICKEL PLATE  
 ZIPPER FIN HS BASE(ONLY FOR 1--0): COPPER/NICKEL PLATE  
 HEAT SINK CLIP: STAINLESS STEEL  
 EMI SPRING: COPPER ALLOY/NICKEL PLATE  
 LIGHT PIPE: CLEAR POLYCARBONATE



- REFERENCE APPLICATION SPECIFICATION 114-32023 FOR RECOMMENDED DRILL HOLE DIAMETER AND PLATING THICKNESS
- DATUM AND BASIC DIMENSION ESTABLISHED BY CUSTOMER
- DIMENSION APPLIES WITH MODULE INSERTED IN CAGE
- HEAT SINKS, HEAT SINK CLIPS AND LIGHT PIPES ARE SHIPPED ASSEMBLED ON CAGE
- MINIMUM PC BOARD THICKNESS: SINGLE SIDED: 1.57 MIN  
DOUBLE SIDED: 2.20 MIN
- DATUM **-A-** IS TOP SURFACE OF THE HOST BOARD.
- THESE HOLES ARE OPTIONAL WHEN THE REAR PINS ARE REMOVED.
- MATES WITH QSFP28 MSA COMPATIBLE TRANSCEIVER.
- DATE CODE (YYWWD) MARKED APPROXIMATELY AS SHOWN.
- PN 2170745-7 IS RESTRICTED TO GOOG.



14.65	-	WITH	CUSTOMIZED, ZIPPER FIN HS	1-2170745-2
17.25	2	WITH	CUSTOMIZED, ZIPPER FIN HS	1-2170745-1
14.0	-	WITHOUT	CUSTOMIZED, ZIPPER FIN HS	1-2170745-0
16.0	-	WITH	SAN, FIN TYPE	2170745-9
16.0	-	WITHOUT	SAN, FIN TYPE	2170745-8
18.05	-	WITHOUT	CUSTOMIZED, FIN TYPE	2170745-7 <sup>11</sup>
23.0	-	WITHOUT	NETWORKING, PIN TYPE	2170745-6
16.0	-	WITHOUT	SAN, PIN TYPE	2170745-5
13.7	-	WITHOUT	PCI, PIN TYPE	2170745-4
23.0	-	WITH	NETWORKING, PIN TYPE	2170745-3
16.0	-	WITH	SAN, PIN TYPE	2170745-2
13.7	-	WITH	PCI, PIN TYPE	2170745-1
DIM A	LP PER	REAR PINS OPTIONAL	APPLICATION	PART NUMBER

THIS DRAWING IS A CONTROLLED DOCUMENT.

DWN: JASON YANG 25JUN2014  
 CHK: SEAN HAN 11JAN2016  
 APVD: SEAN HAN

**STE** TE Connectivity

NAME: RECEPTACLE CAGE ASSEMBLY WITH HEAT SINKS THRU BEZEL, 1X4, QSFP28

PRODUCT SPEC: 108-19428  
 APPLICATION SPEC: 114-32023

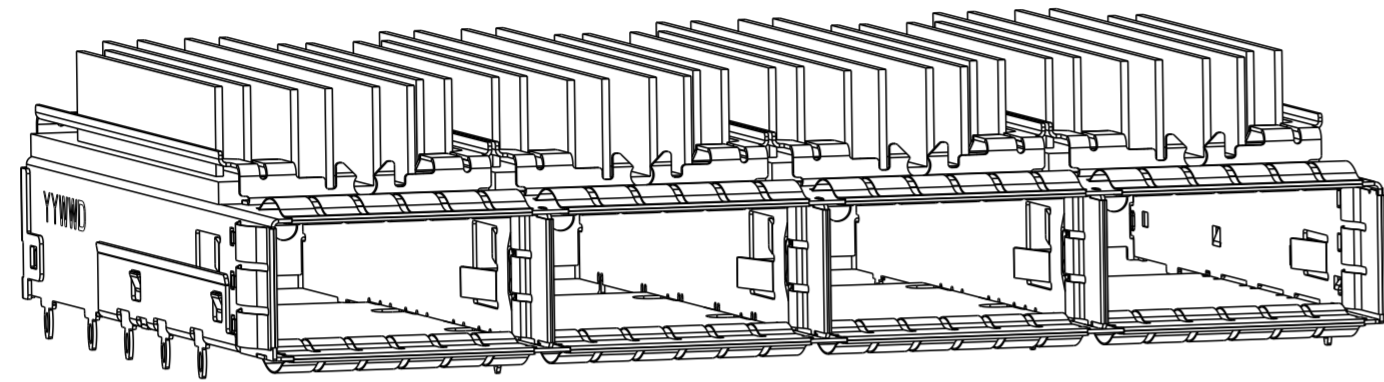
SIZE: A2 CAGE CODE: 00779 DRAWING NO: C-2170745 RESTRICTED TO: -

MATERIAL: SEE NOTES FINISH: SEE NOTES

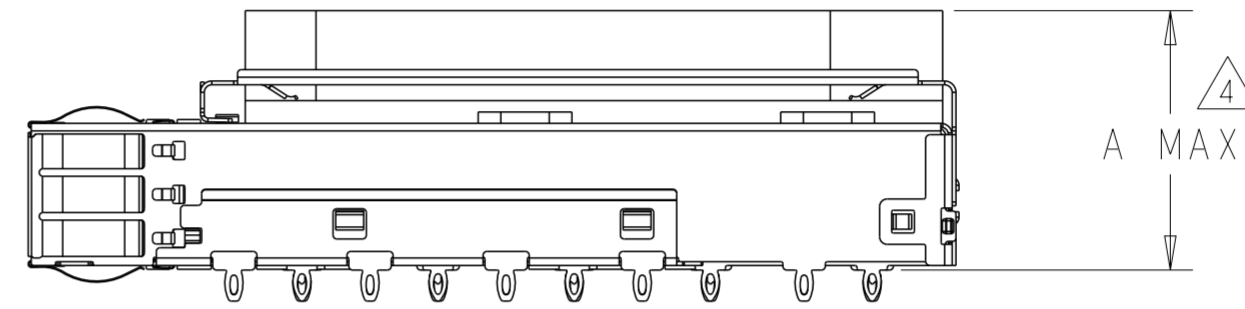
CUSTOMER DRAWING SCALE 1:1 SHEET 1 OF 8 REV D2

THIS DRAWING IS UNPUBLISHED. RELEASED FOR PUBLICATION 20  
 © COPYRIGHT 20 BY - ALL RIGHTS RESERVED.

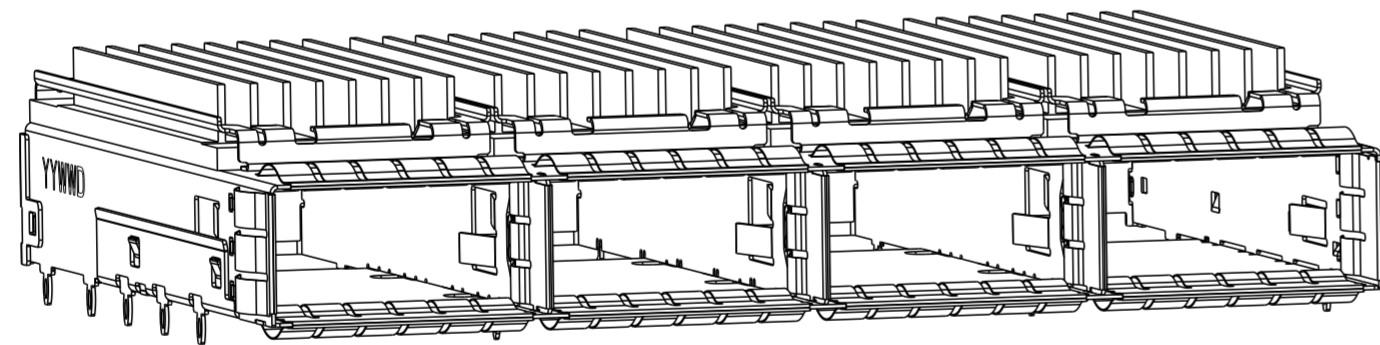
REVISIONS				
P	LTR	DESCRIPTION	DATE	APVD
-	-	SEE SHEET 1	-	-



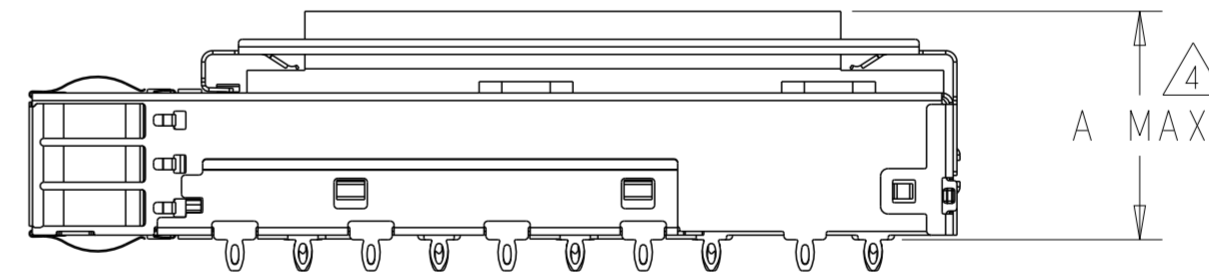
2170745-7 AS SHOWN  $\triangle 1$   
 WITH CUSTOMIZED FIN TYPE HEAT SINK AND LP FEATURE  
 SCALE 2:1




SCALE 2:1



2170745-8 AS SHOWN  
 WITH FIN TYPE HEAT SINK  
 SCALE 2:1

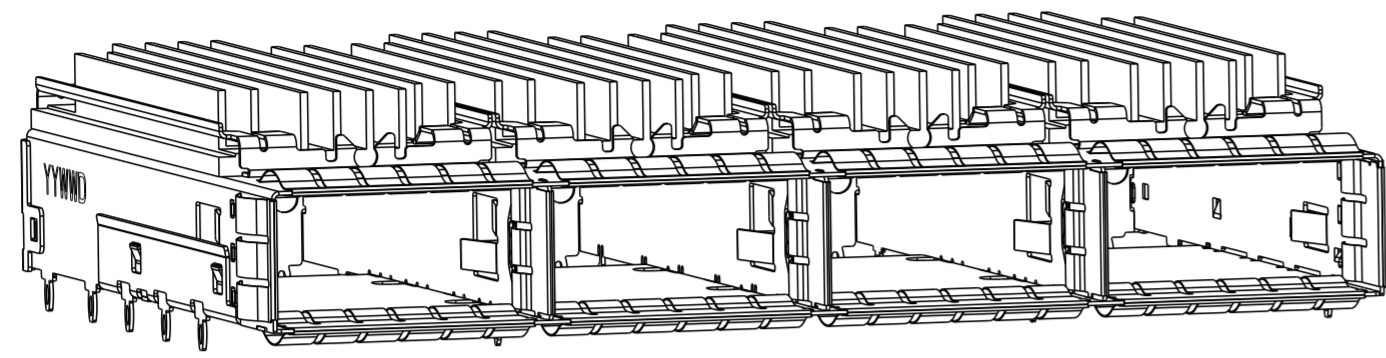


SCALE 2:1

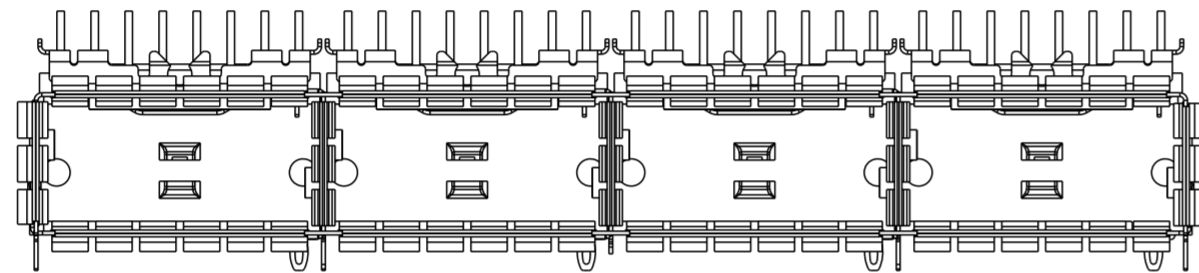
THIS DRAWING IS A CONTROLLED DOCUMENT.		DWN JASON YANG 25 JUN 2014	 TE Connectivity	
DIMENSIONS: mm		CHK SEAN HAN 11 JAN 2016		
TOLERANCES UNLESS OTHERWISE SPECIFIED: 0 PLC ± 1 PLC ±0.25 2 PLC ±0.2 3 PLC ± 4 PLC ± ANGLES ± FINISH		APVD -	NAME RECEPTACLE CAGE ASSEMBLY WITH HEAT SINKS THRU BEZEL, 1X4, QSFP28	RESTRICTED TO -
MATERIAL SEE NOTES	SEE NOTES	PRODUCT SPEC 108-19428	SIZE A200779	CAGE CODE C-2170745
-		APPLICATION SPEC 114-32023	DRAWING NO C-2170745	SCALE 1:1
-		WEIGHT -	CUSTOMER DRAWING	SHEET 2 OF 8
-		REV D2		

THIS DRAWING IS UNPUBLISHED. RELEASED FOR PUBLICATION 20  
 © COPYRIGHT 20 BY - ALL RIGHTS RESERVED.

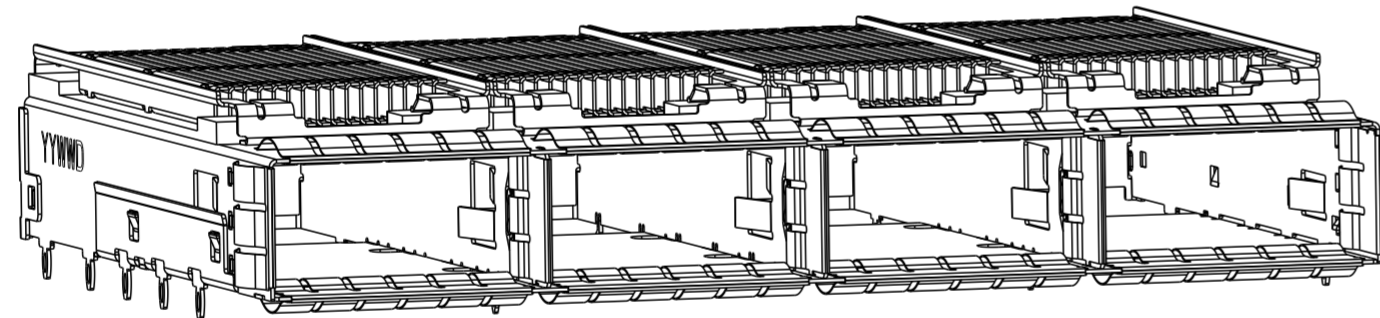
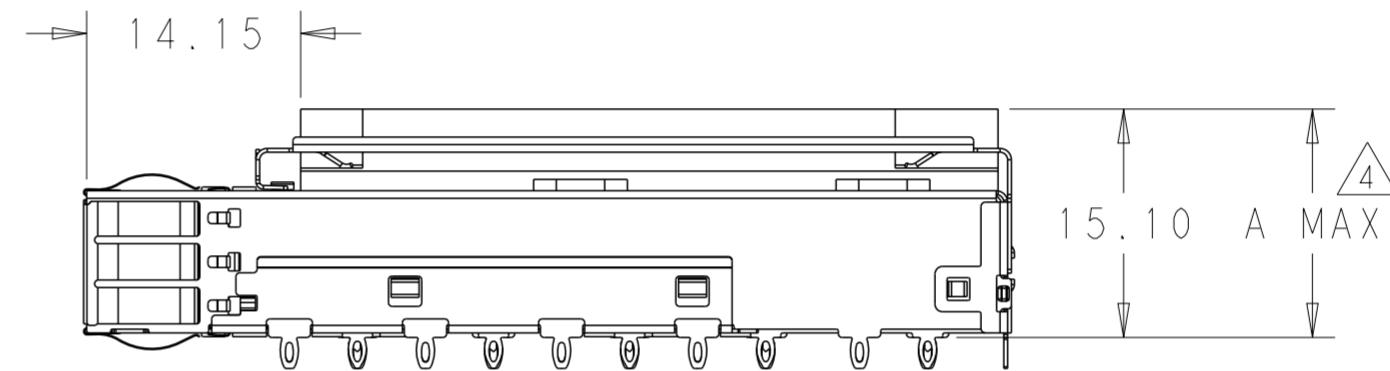
REVISIONS				
P	LTR	DESCRIPTION	DATE	APVD
-	-	SEE SHEET 1	-	-



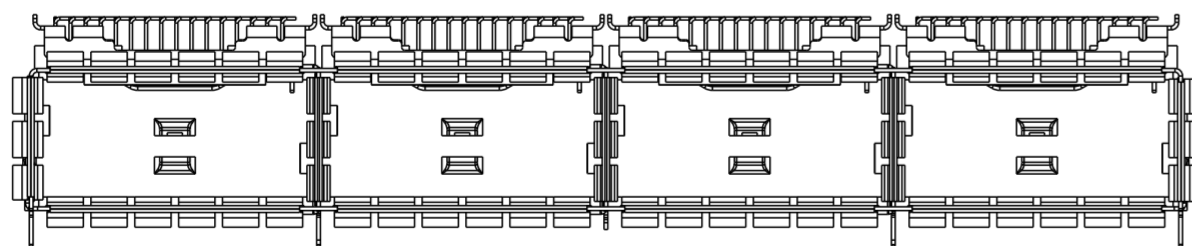
2170745-9 AS SHOWN  
 WITH CUSTOMIZED FIN TYPE HEAT SINK  
 SCALE 2:1



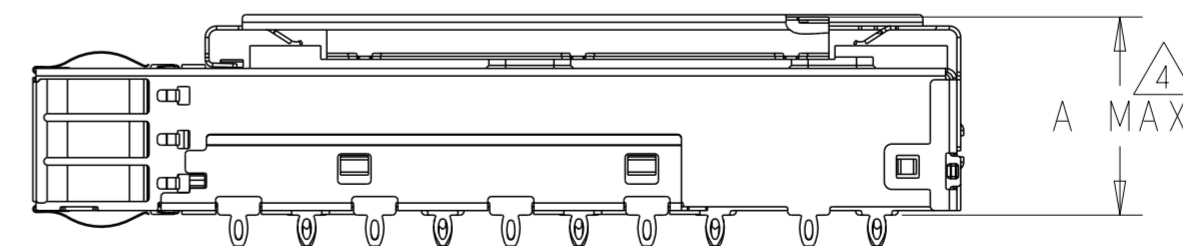
SCALE 2:1




1-2170745-0 AS SHOWN  
 WITH CUSTOMIZED ZIPPER FIN HEAT SINK  
 SCALE 2:1



SCALE 2:1

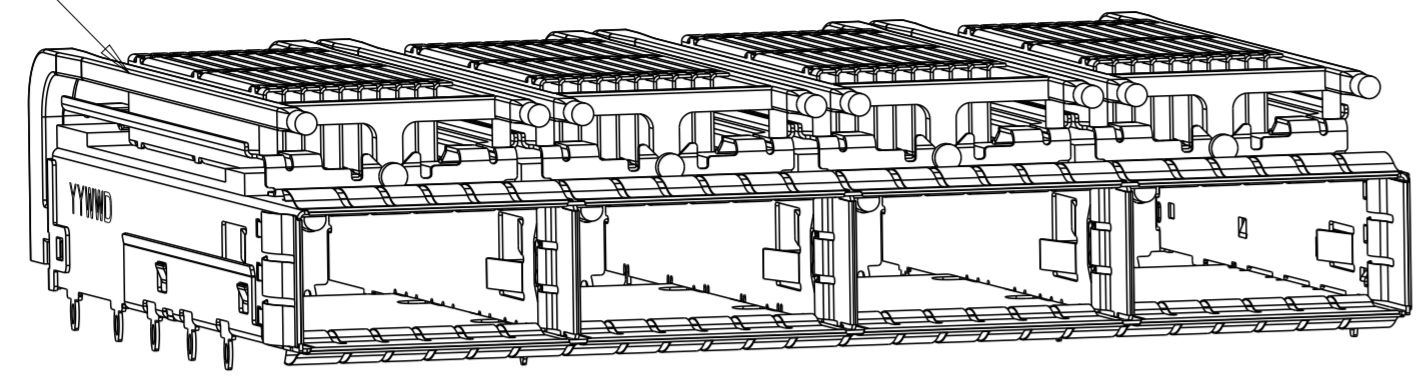


THIS DRAWING IS A CONTROLLED DOCUMENT.		DWN JASON YANG 25 JUN 2014	 TE Connectivity	
		CHK SEAN HAN 11 JAN 2016		
DIMENSIONS:		APVD -	NAME RECEPTACLE CAGE ASSEMBLY WITH HEAT SINKS THRU BEZEL, 1X4, QSFP28	
mm	TOLERANCES UNLESS OTHERWISE SPECIFIED:	PRODUCT SPEC 108-19428	SIZE A2	CAGE CODE 00779
	0 PLC ± 1 PLC ±0.25 2 PLC ±0.2 3 PLC ± 4 PLC ±	APPLICATION SPEC 114-32023	DRAWING NO C-2170745	RESTRICTED TO -
MATERIAL SEE NOTES	FINISH SEE NOTES	WEIGHT -	SCALE 1:1	SHEET 3 OF 8
		CUSTOMER DRAWING	REV D2	

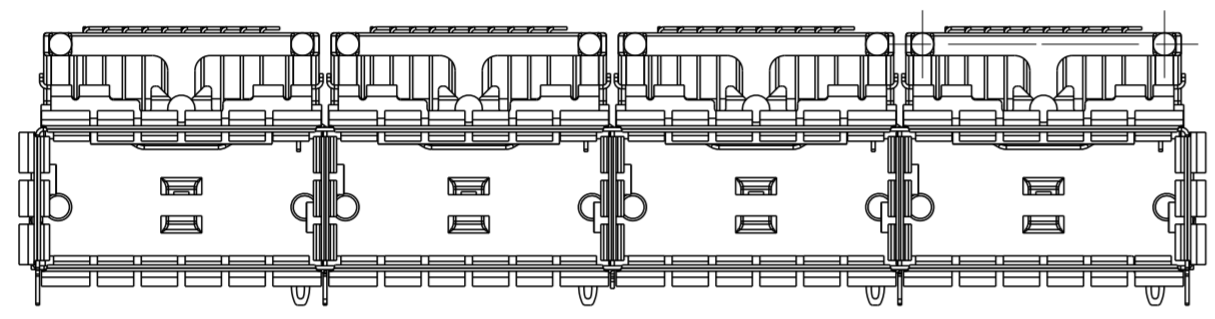
THIS DRAWING IS UNPUBLISHED. RELEASED FOR PUBLICATION 20  
 © COPYRIGHT 20 BY - ALL RIGHTS RESERVED.

REVISIONS				
P	LTR	DESCRIPTION	DATE	APVD
-	-	SEE SHEET 1	-	-

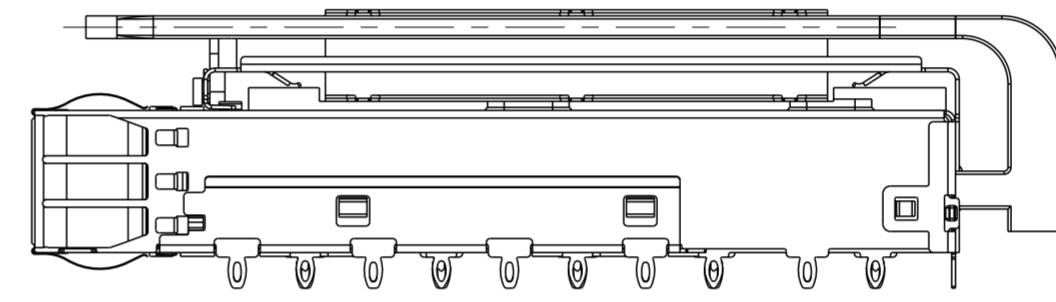
LIGHT PIPE



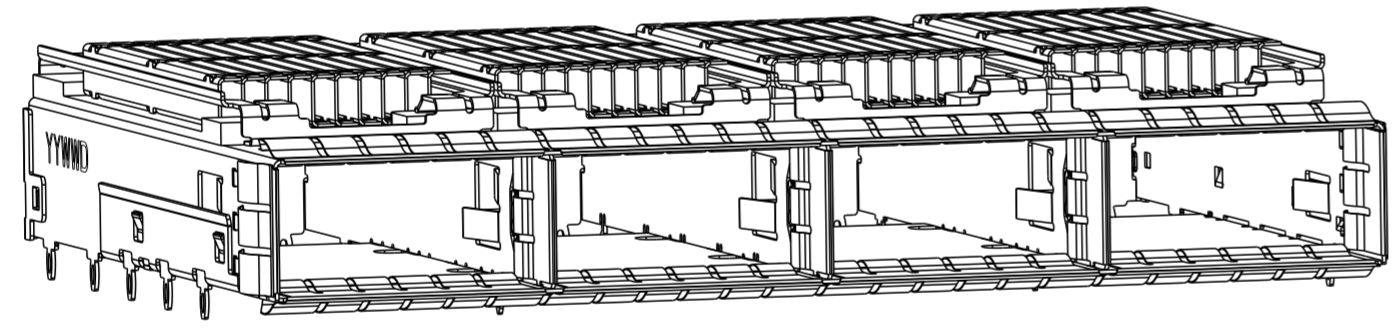
1-2170745-1 AS SHOWN  
 WITH CUSTOMIZED ZIPPER FIN HEAT SINK  
 SCALE 2:1



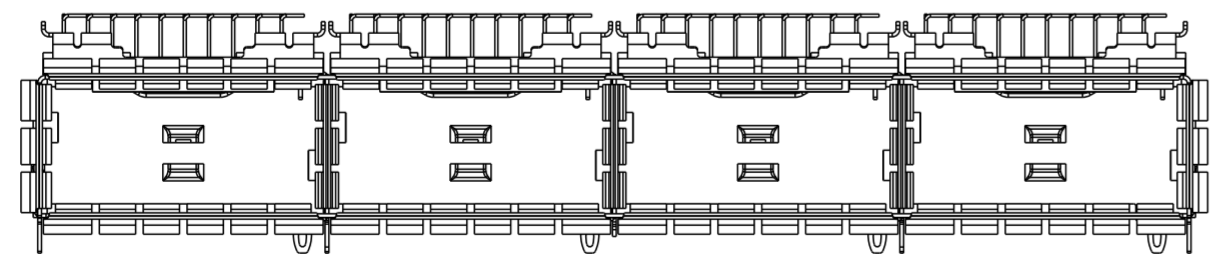
SCALE 2:1



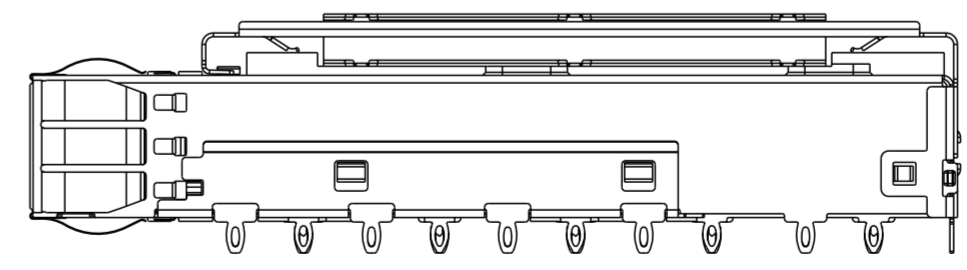
4



1-2170745-2 AS SHOWN  
 WITH CUSTOMIZED ZIPPER FIN HEAT SINK  
 SCALE 2:1



SCALE 2:1

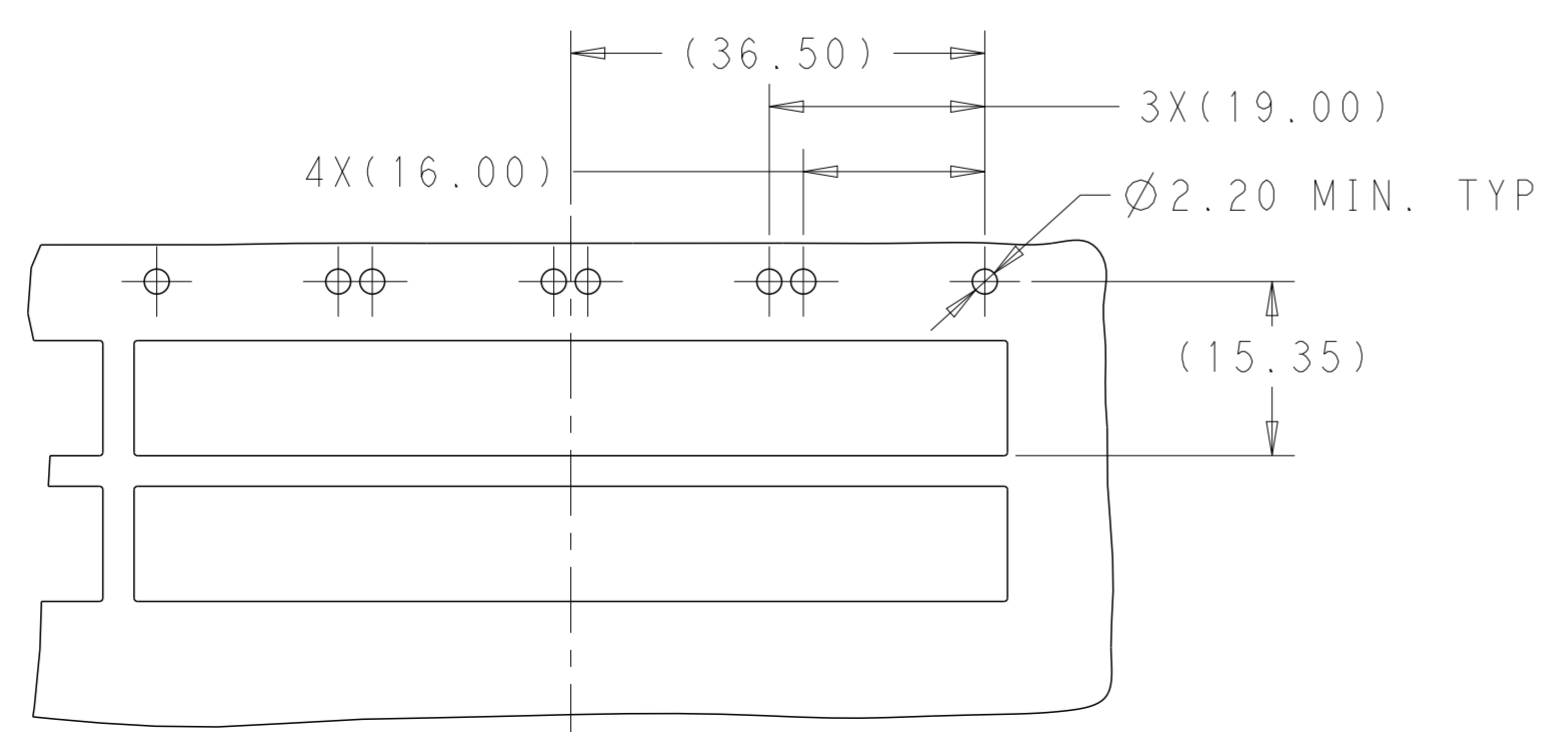
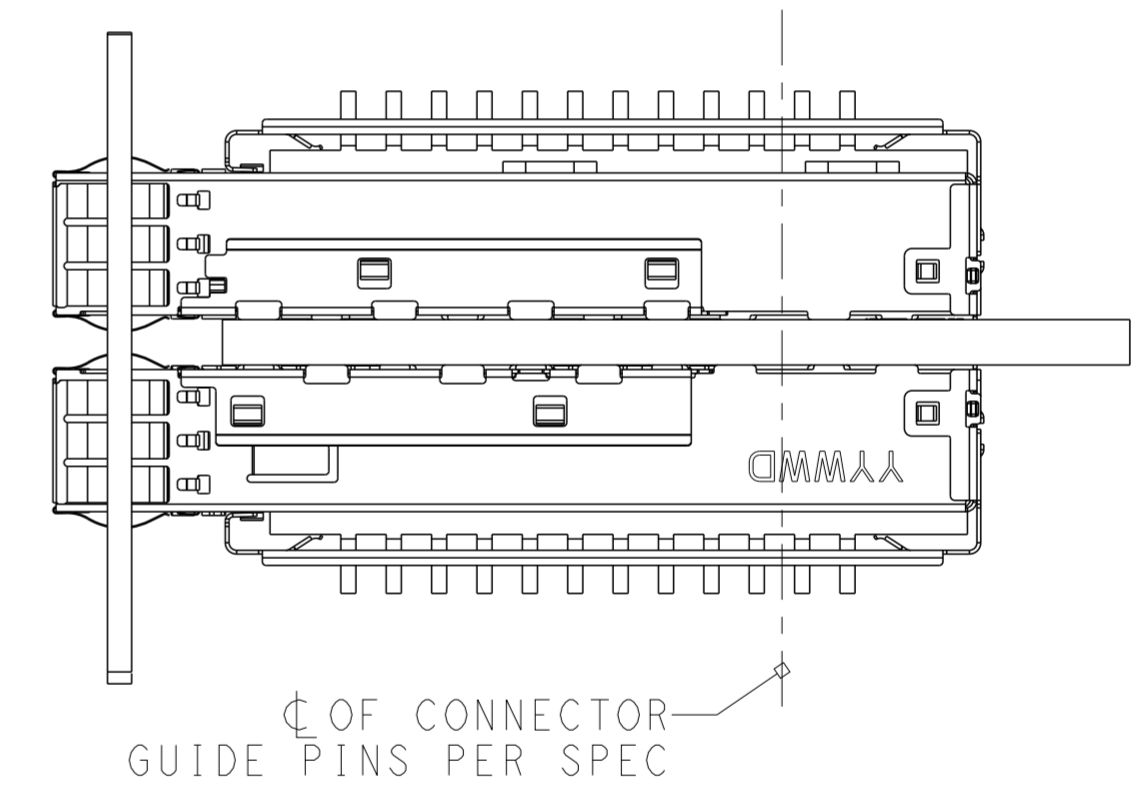
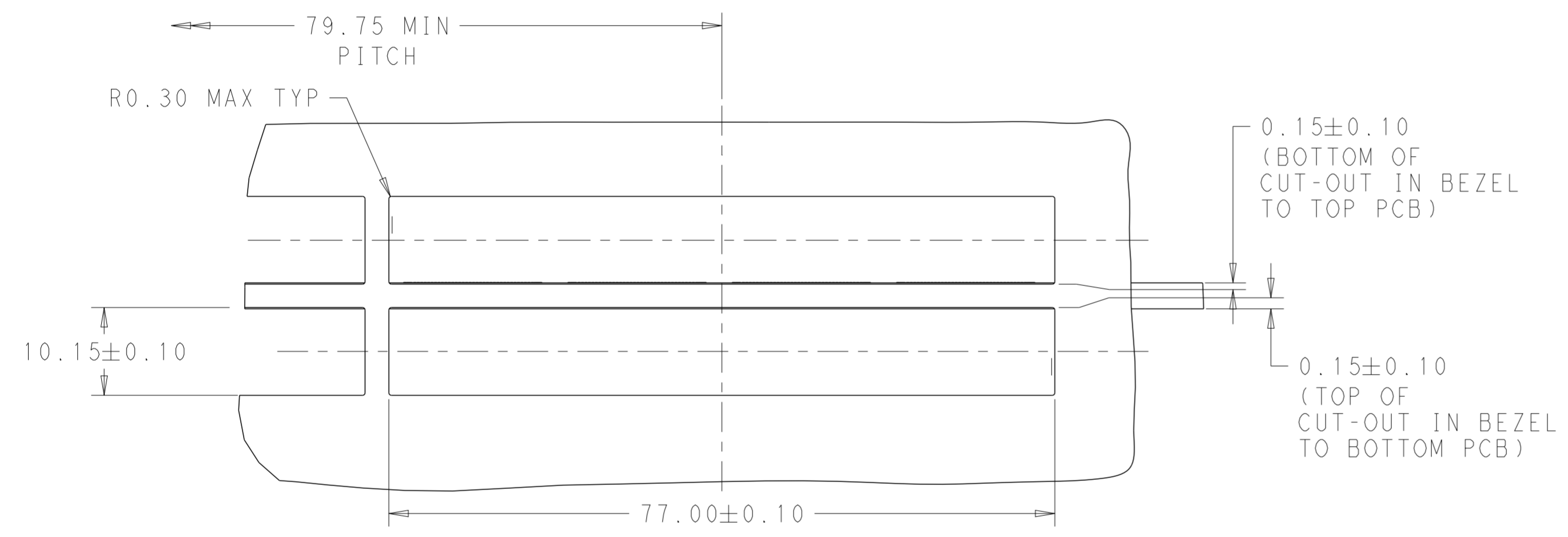
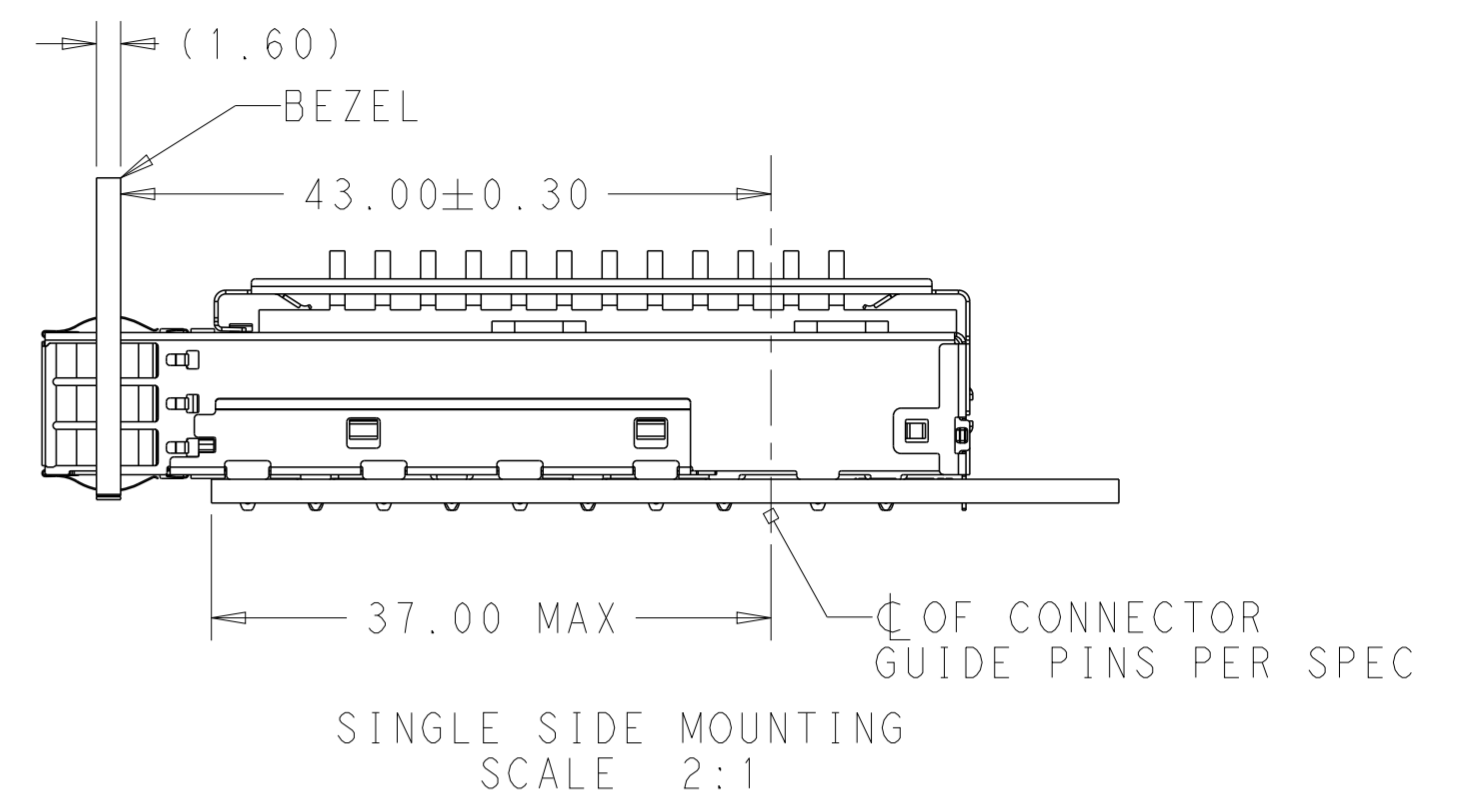
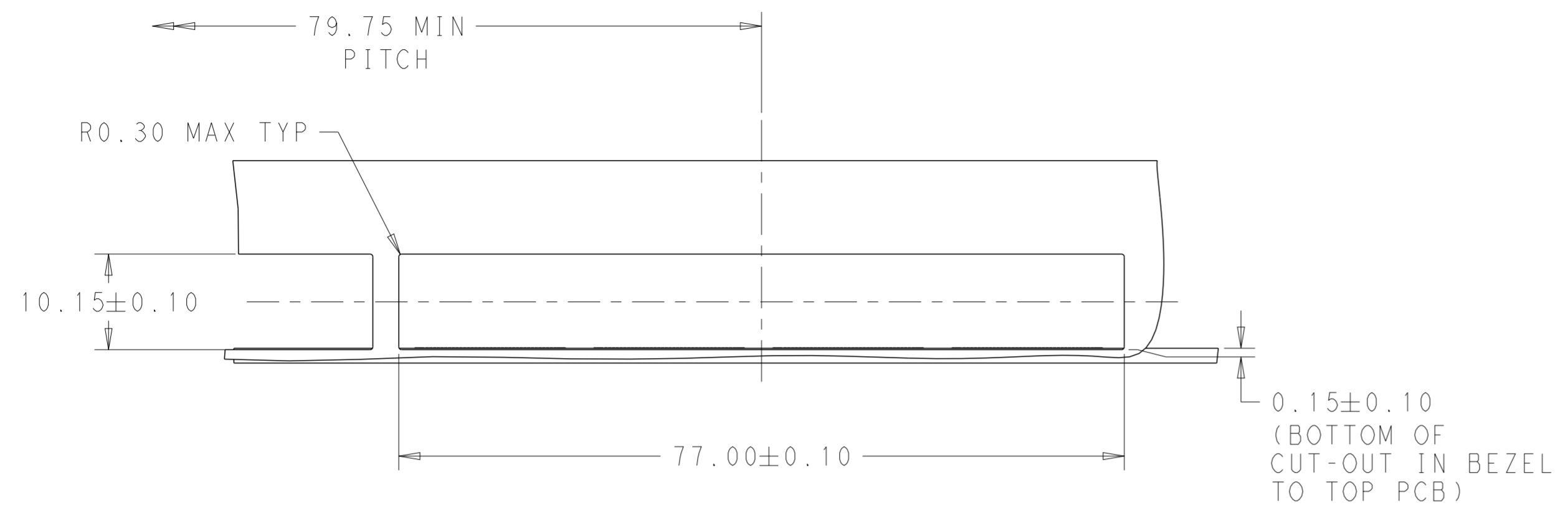


4


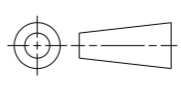
THIS DRAWING IS A CONTROLLED DOCUMENT.		DWN 25 JUN 2014 JASON YANG	TE Connectivity	
		CHK 11 JAN 2016 SEAN HAN		
DIMENSIONS: mm		TOLERANCES UNLESS OTHERWISE SPECIFIED:		NAME RECEPTACLE CAGE ASSEMBLY WITH HEAT SINKS THRU BEZEL, 1X4, QSFP28
		0 PLC ±	1 PLC ±0.25	PRODUCT SPEC 108-19428
MATERIAL SEE NOTES		2 PLC ±0.2	3 PLC ±	APPLICATION SPEC 114-32023
		4 PLC ±	ANGLES ±	SIZE A200779
		FINISH -		CAGE CODE C-2170745
				DRAWING NO C-2170745
				RESTRICTED TO -
				SCALE 1:1 SHEET 4 OF 8 REV D2

THIS DRAWING IS UNPUBLISHED. RELEASED FOR PUBLICATION 20  
 © COPYRIGHT 20 BY - ALL RIGHTS RESERVED.

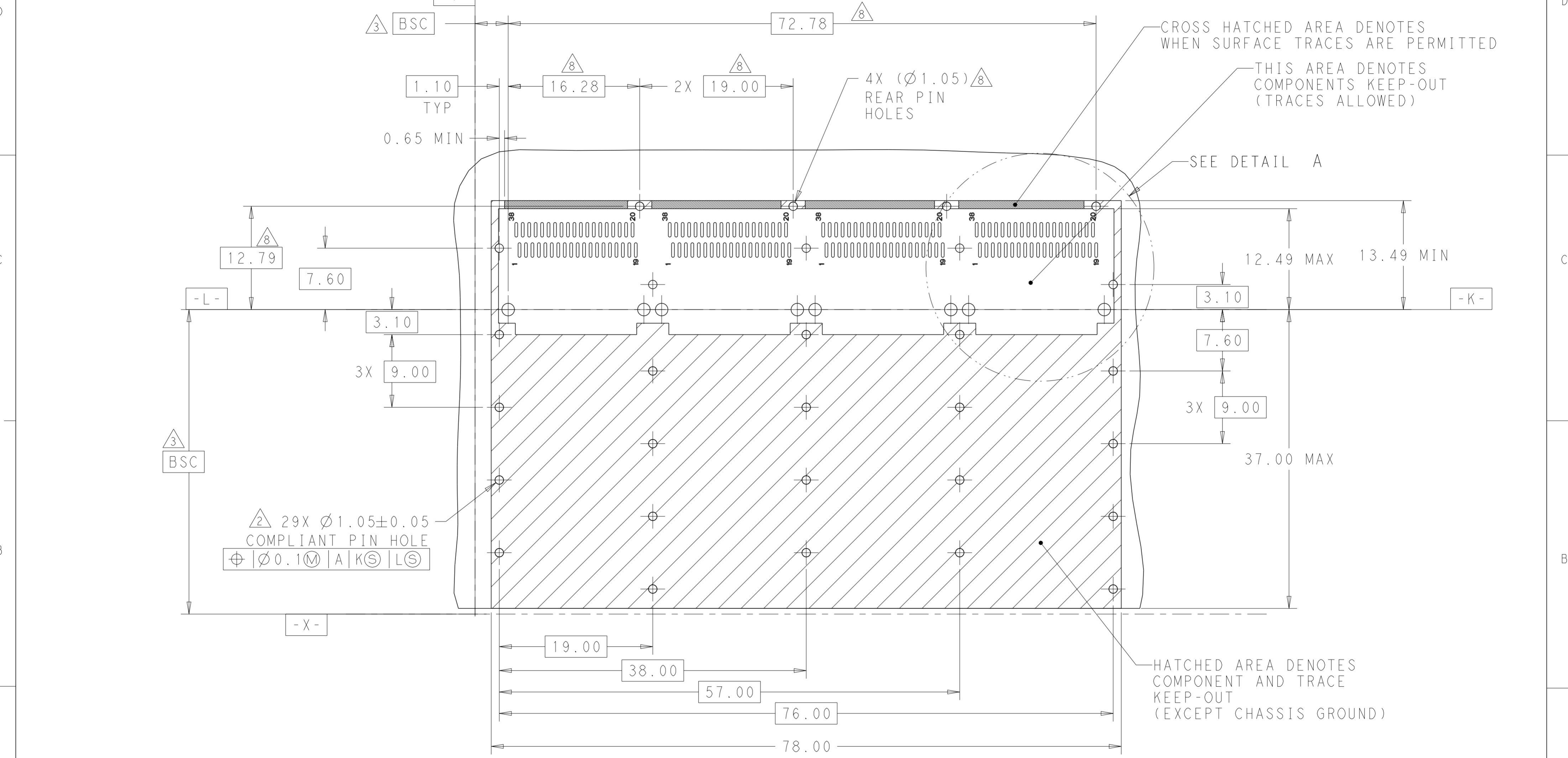
REVISIONS				
P	LTR	DESCRIPTION	DATE	APVD
-	-	SEE SHEET 1	-	-



BELLY TO BELLY 2LP, SAME AS BELLY TO BELLY MOUNTING EXCEPT AS SHOWN FOR 1-2170745-1, 1-2170745-2  
 SCALE 3:2

THIS DRAWING IS A CONTROLLED DOCUMENT.		DWN 25 JUN 2014 JASON YANG	 TE Connectivity	
		CHK 11 JAN 2016 SEAN HAN		
DIMENSIONS: mm	TOLERANCES UNLESS OTHERWISE SPECIFIED:	APVD -	NAME RECEPTACLE CAGE ASSEMBLY WITH HEAT SINKS THRU BEZEL, 1X4, QSFP28	
	0 PLC ± 1 PLC ±0.25 2 PLC ±0.2 3 PLC ± 4 PLC ± ANGLES ± FINISH	PRODUCT SPEC 108-19428	SIZE A200779	CAGE CODE C-2170745
MATERIAL SEE NOTES	SEE NOTES	APPLICATION SPEC 114-32023	DRAWING NO	RESTRICTED TO
		WEIGHT -	SCALE 1:1	SHEET 5 OF 8
		CUSTOMER DRAWING	REV D2	

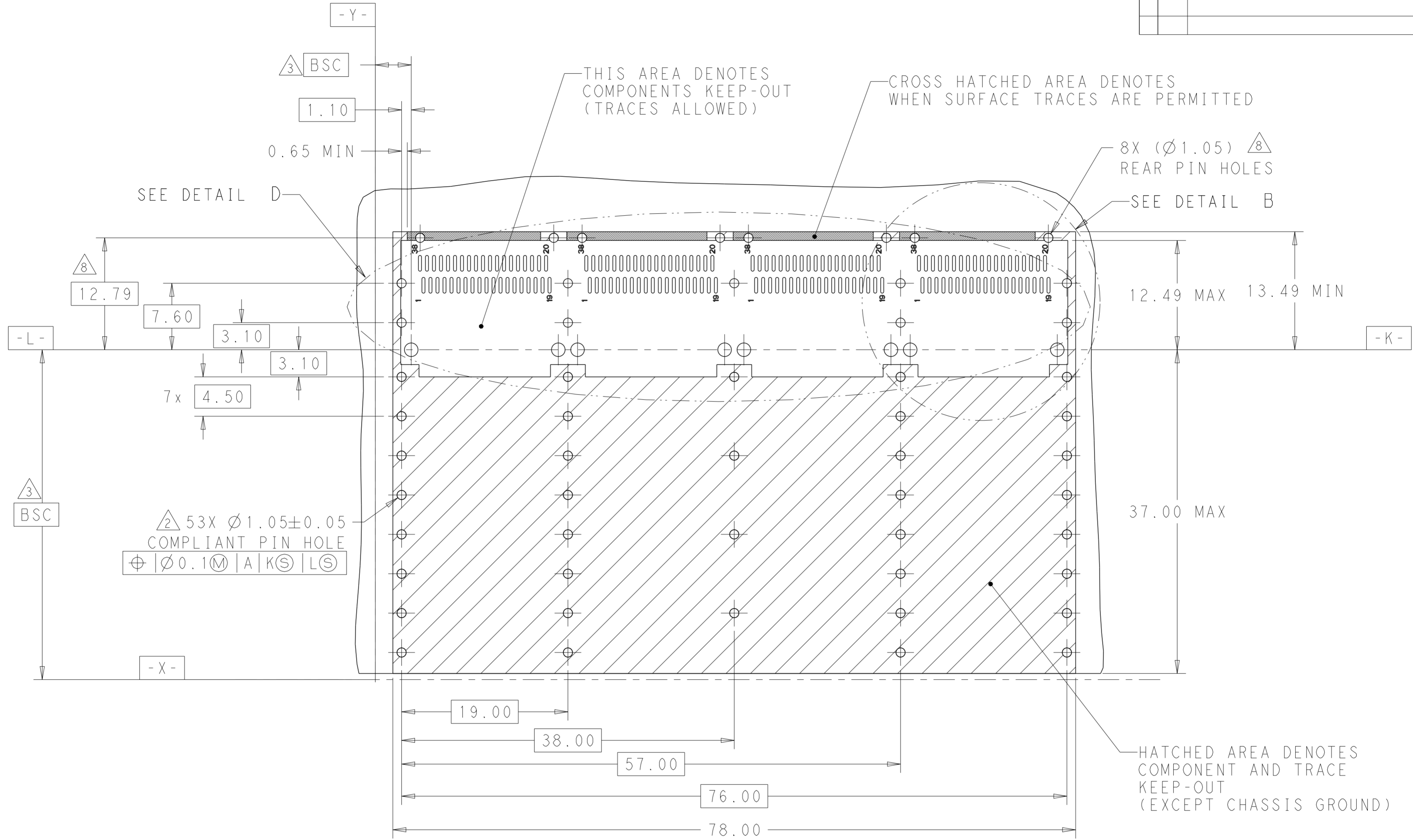
REVISIONS					
P	LTR	DESCRIPTION	DATE	DWN	APVD
-	-	SEE SHEET 1	-	-	-



RECOMMENDED PCB LAYOUT  
 SINGLE TYPE  
 PCB TOLERANCE: ±0.05  
 SCALE 3:1

THIS DRAWING IS A CONTROLLED DOCUMENT.		DWN 25 JUN 2014 JASON YANG	TE Connectivity	
		CHK 11 JAN 2016 SEAN HAN		
DIMENSIONS: mm 		TOLERANCES UNLESS OTHERWISE SPECIFIED: 0 PLC ± 1 PLC ±0.25 2 PLC ±0.2 3 PLC ± 4 PLC ± ANGLES ± FINISH SEE NOTES		NAME RECEPTACLE CAGE ASSEMBLY WITH HEAT SINKS THRU BEZEL, 1X4, QSFP28
MATERIAL SEE NOTES		PRODUCT SPEC 108-19428 APPLICATION SPEC 114-32023 WEIGHT -	SIZE A200779	DRAWING NO C-2170745
		CUSTOMER DRAWING		RESTRICTED TO - SCALE 1:1 SHEET 6 OF 8 REV D2

REVISIONS				
P	LTR	DESCRIPTION	DATE	APVD
-	-	SEE SHEET 1	-	-



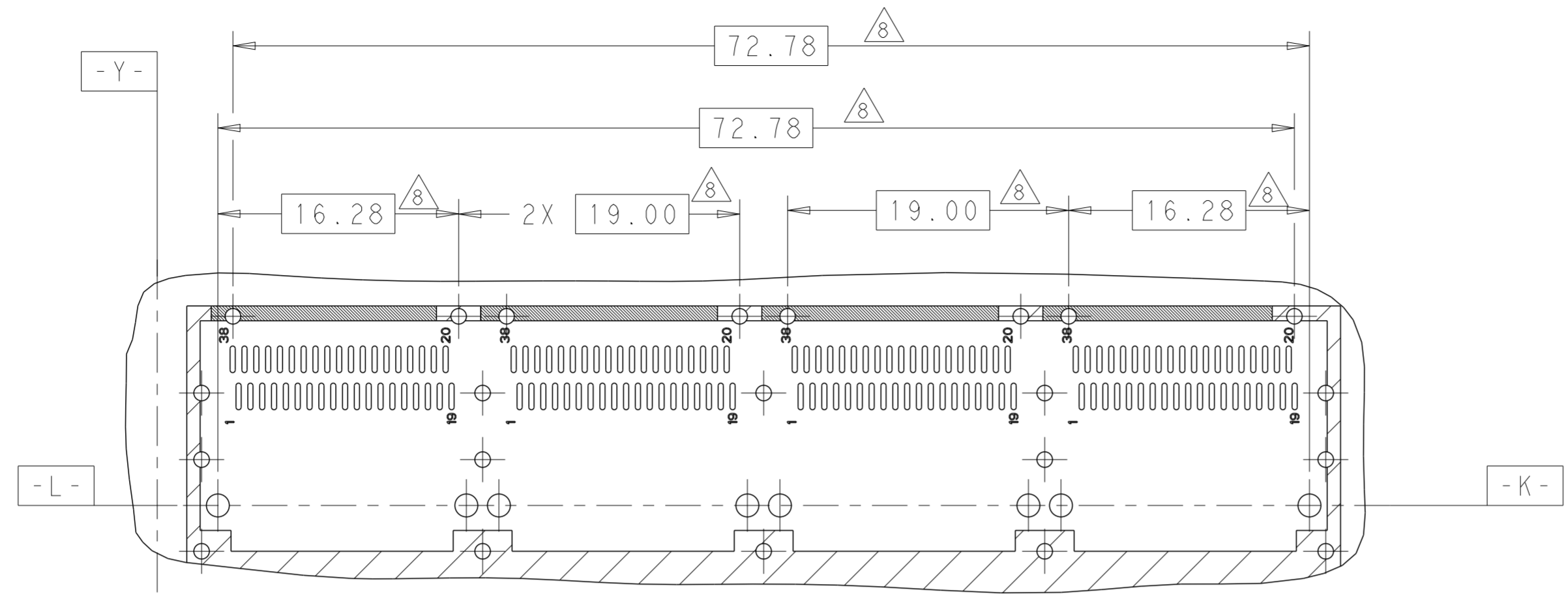
2 53X Ø1.05±0.05  
 COMPLIANT PIN HOLE  
 ⊕ | Ø0.1(M) | A | K(S) | L(S)

RECOMMENDED PCB LAYOUT  
 BELLY TO BELLY TYPE  
 PCB TOLERANCE: ±0.05  
 SCALE 3:1

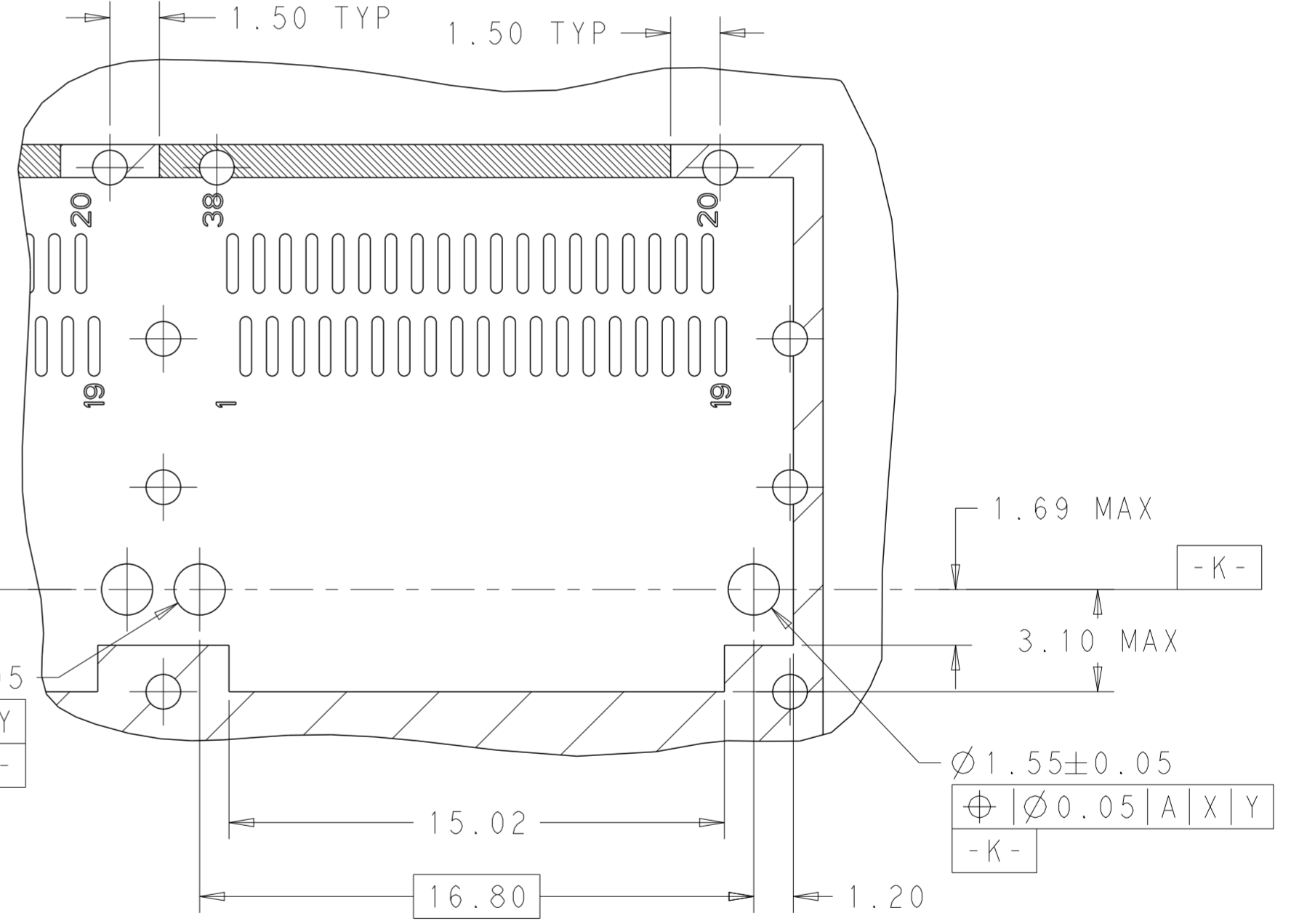
THIS DRAWING IS A CONTROLLED DOCUMENT.		DWN JASON YANG 25 JUN 2014	TE Connectivity	
		CHK SEAN HAN 11 JAN 2016		
DIMENSIONS: mm	TOLERANCES UNLESS OTHERWISE SPECIFIED:	APVD -	NAME RECEPTACLE CAGE ASSEMBLY WITH HEAT SINKS THRU BEZEL, 1X4, QSFP28	RESTRICTED TO -
	0 PLC ± 1 PLC ±0.25 2 PLC ±0.2 3 PLC ± 4 PLC ±	PRODUCT SPEC 108-19428	SIZE 114-32023	SIZE A200779
MATERIAL SEE NOTES	FINISH SEE NOTES	APPLICATION SPEC -	DRAWING NO C-2170745	SCALE 1:1
		CUSTOMER DRAWING	WEIGHT -	SHEET 7 OF 8
				REV D2

THIS DRAWING IS UNPUBLISHED. RELEASED FOR PUBLICATION 20  
 © COPYRIGHT 20 BY - ALL RIGHTS RESERVED.

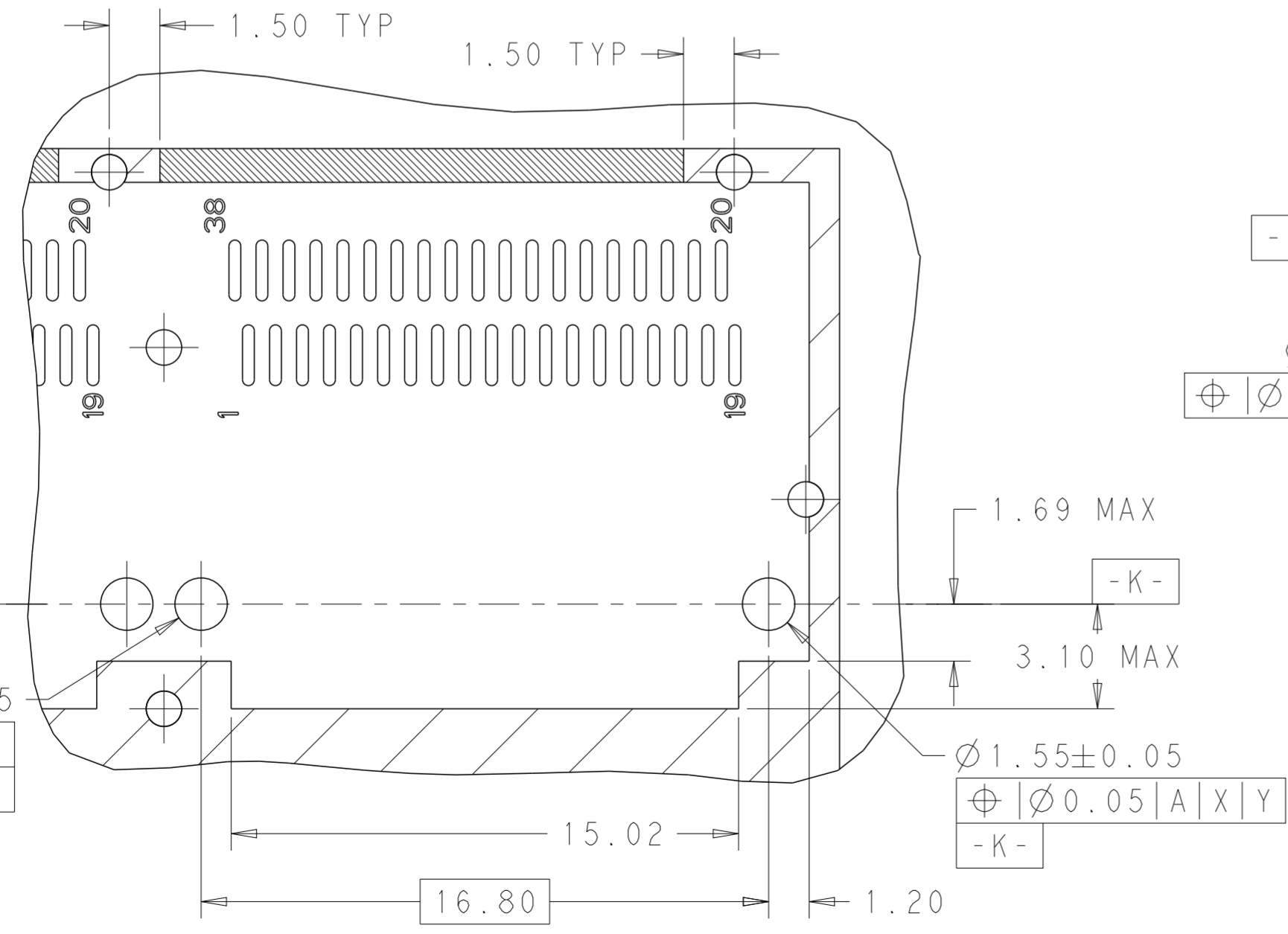
REVISIONS				
P	LTR	DESCRIPTION	DATE	APVD
-	-	SEE SHEET 1	-	-



DETAIL D  
SCALE 3:1



DETAIL B  
SCALE 6:1



DETAIL A  
SCALE 6:1

THIS DRAWING IS A CONTROLLED DOCUMENT.		DWN JASON YANG 25 JUN 2014	TE Connectivity	
		CHK SEAN HAN 11 JAN 2016		
DIMENSIONS: mm	TOLERANCES UNLESS OTHERWISE SPECIFIED:	APVD -	NAME RECEPTACLE CAGE ASSEMBLY WITH HEAT SINKS THRU BEZEL, 1X4, QSFP28	RESTRICTED TO -
0 PLC	±	PRODUCT SPEC 108-19428	SIZE A200779	CAGE CODE C-2170745
1 PLC	±0.25	APPLICATION SPEC 114-32023	SCALE 1:1	SHEET 8 OF 8
2 PLC	±0.2	WEIGHT -	REV D2	
3 PLC	±	MATERIAL SEE NOTES	CUSTOMER DRAWING	
4 PLC	±	FINISH SEE NOTES		
ANGLES	±			