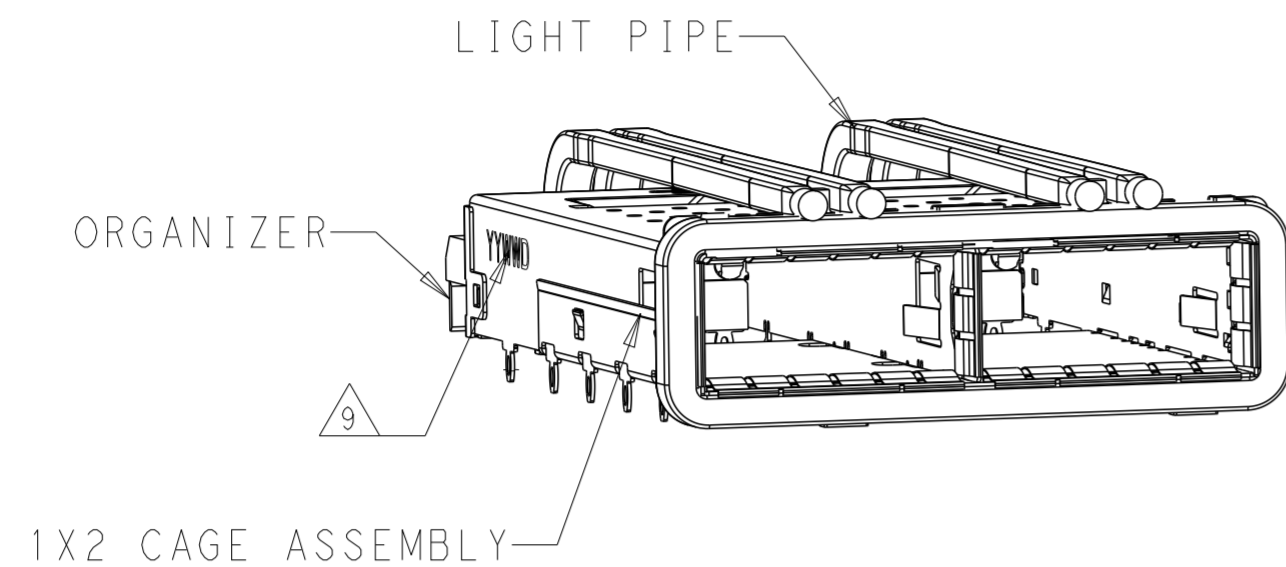
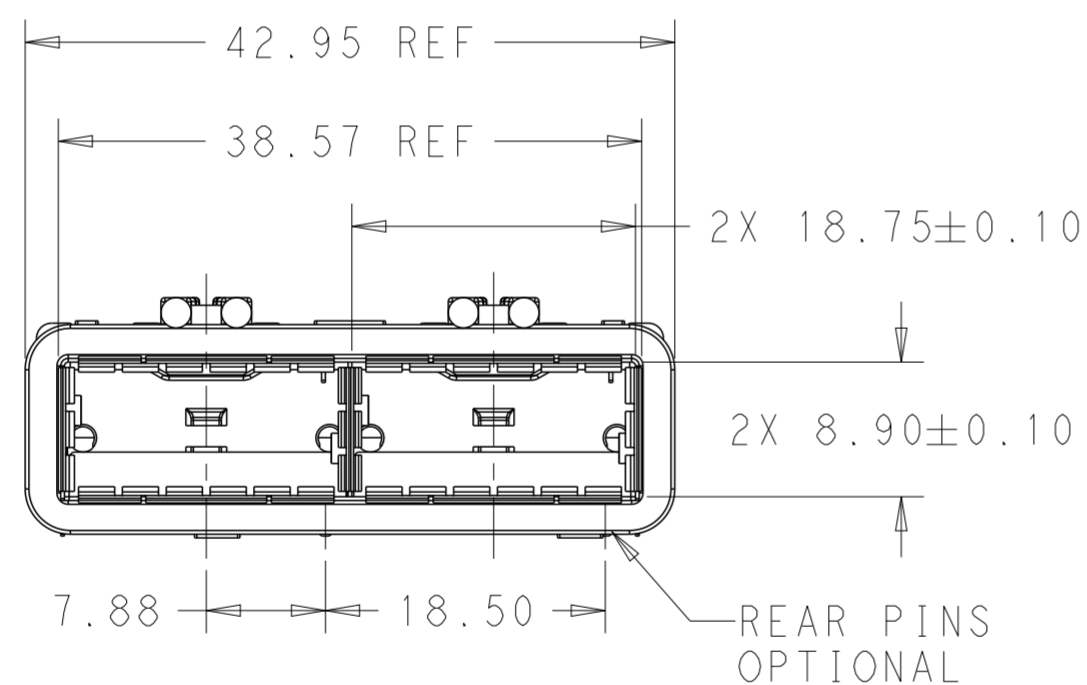


THIS DRAWING IS UNPUBLISHED. RELEASED FOR PUBLICATION 20
 © COPYRIGHT 20 BY - ALL RIGHTS RESERVED.

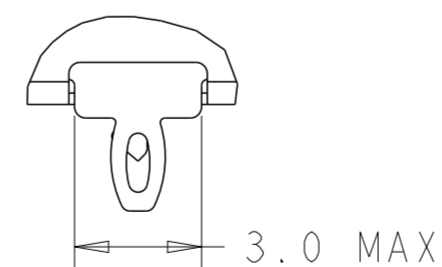
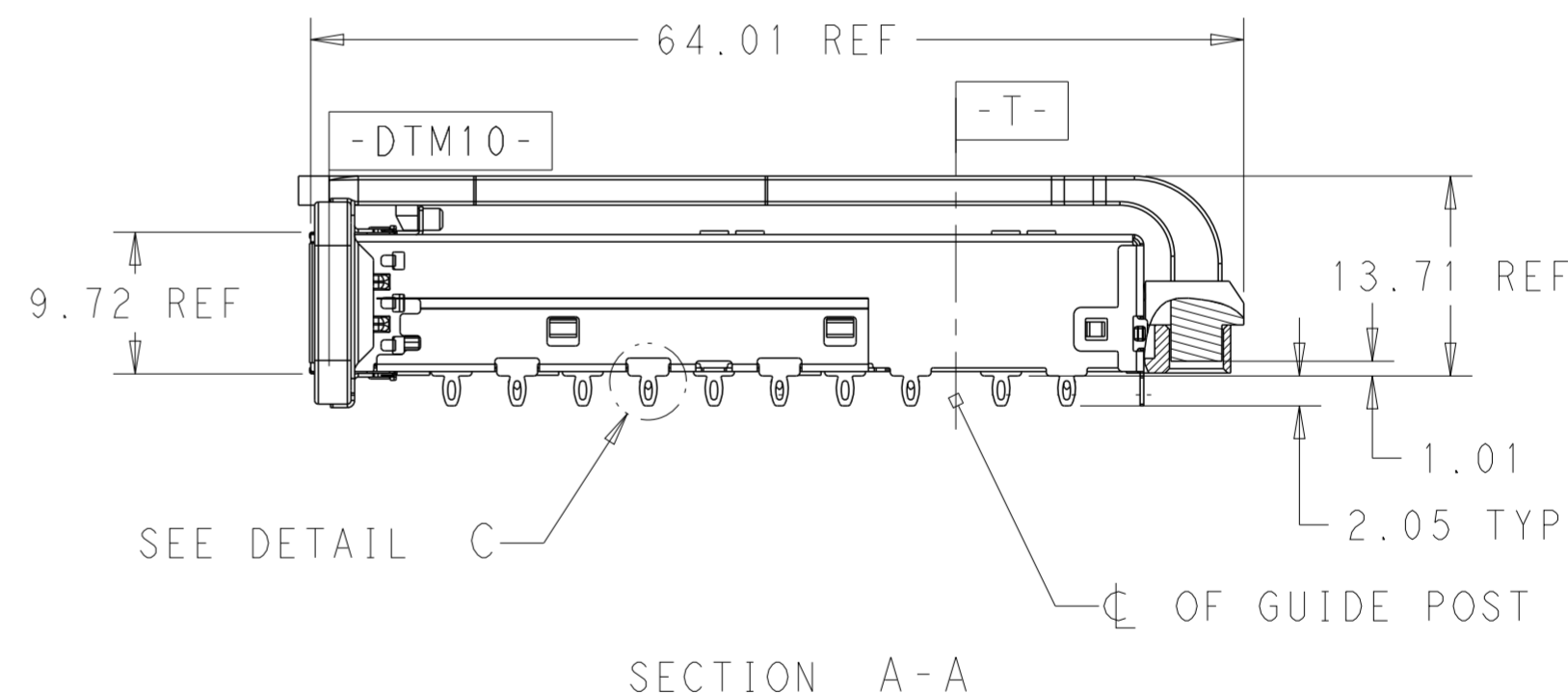
LOC		DIST		REVISIONS			
P	LTR	DESCRIPTION	DATE	DWN	APVD		
	A	RELEASE	09NOV2016	JY	SH		
	A1	REVISED PER ECN-22-163746	11JUL2022	IT	SZ		



1. COMPONENTS
 CAGE ASSEMBLY: NICKEL-SILVER ALLOY
 EMI SPRING: COPPER ALLOY/NICKEL PLATE
 LIGHT PIPE: CLEAR POLYCARBONATE
 ORGANIZER: POLYESTER
 EMI GASKET: PLATED FILLED SILICONE
2. REFERENCE APPLICATION SPECIFICATION 114-32023 FOR RECOMMENDED DRILL HOLE DIAMETER AND PLATING THICKNESS
3. DATUM AND BASIC DIMENSION ESTABLISHED BY CUSTOMER
4. MATES WITH QSFP28 MSA COMPATIBLE TRANSCEIVER.
5. LIGHT PIPES ARE SHIPPED ASSEMBLED ON CAGE
6. MINIMUM PC BOARD THICKNESS: SINGLE SIDED: 1.57 MIN
 DOUBLE SIDED: 3.00 MIN
7. DATUM **-A-** IS TOP SURFACE OF THE HOST BOARD.
8. THESE HOLES ARE OPTIONAL WHEN THE REAR PINS ARE REMOVED.
9. DATE CODE (YYWWD) MARKED APPROXIMATELY AS SHOWN.



SCALE 2:1



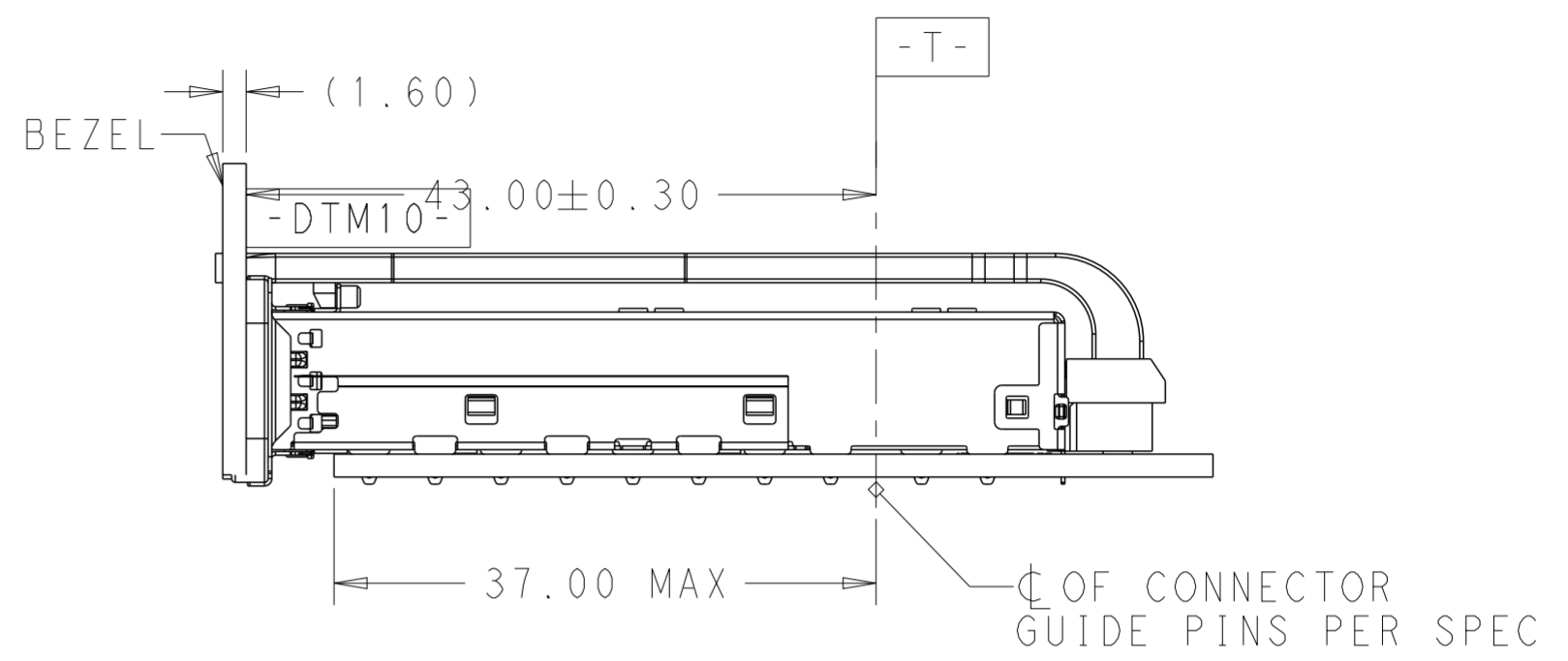
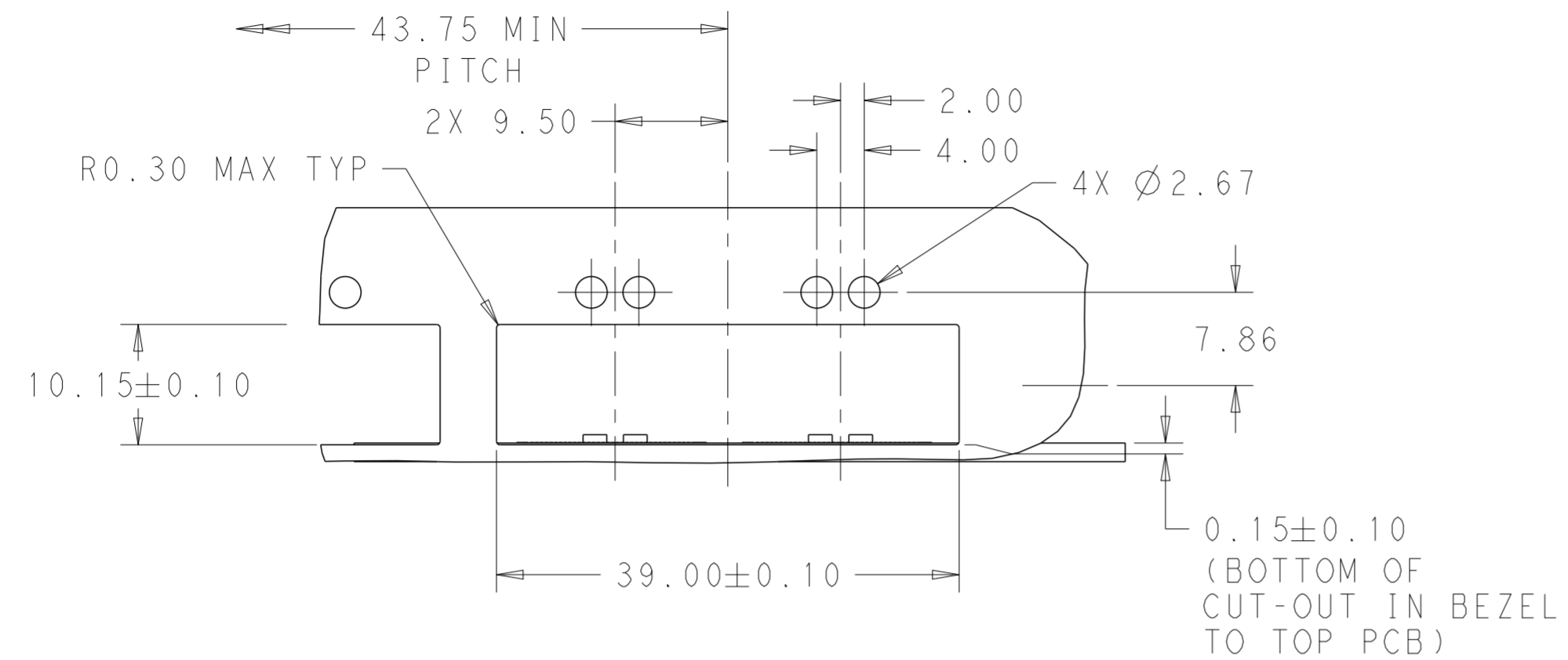
DETAIL C
 SCALE 6:1

WITHOUT	2170813-2
WITH	2170813-1
REAR PINS OPTIONAL	PART NUMBER

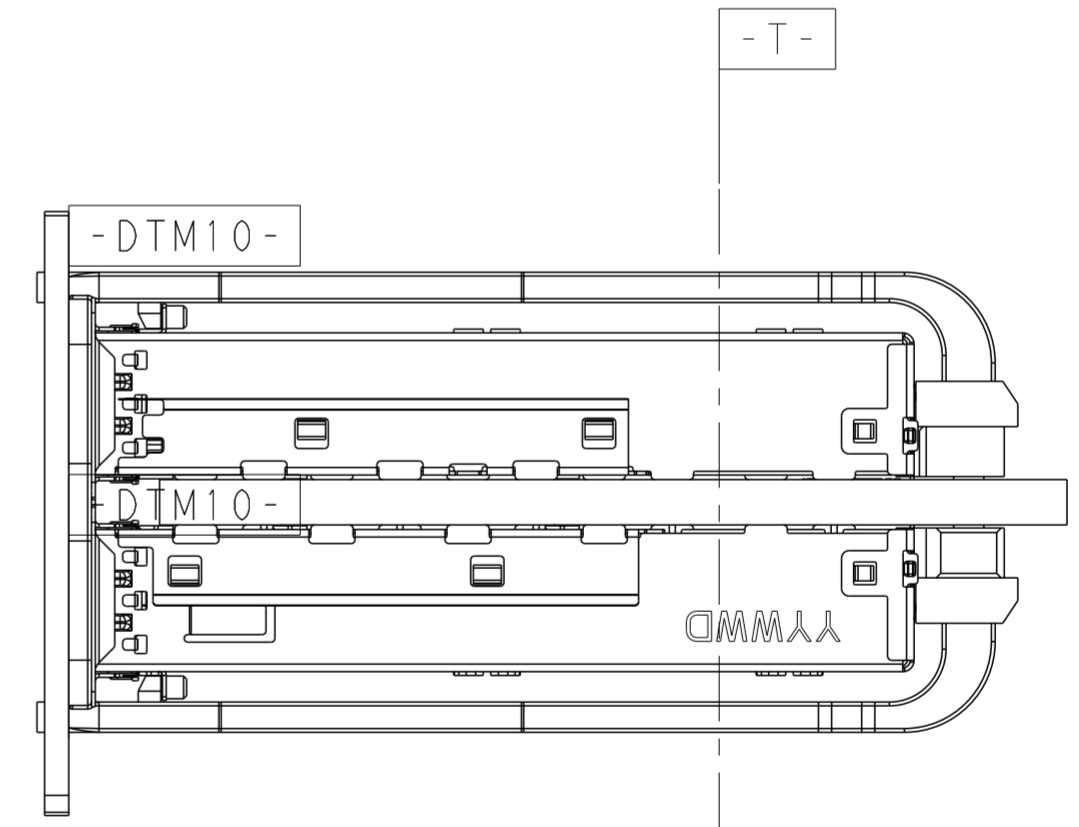
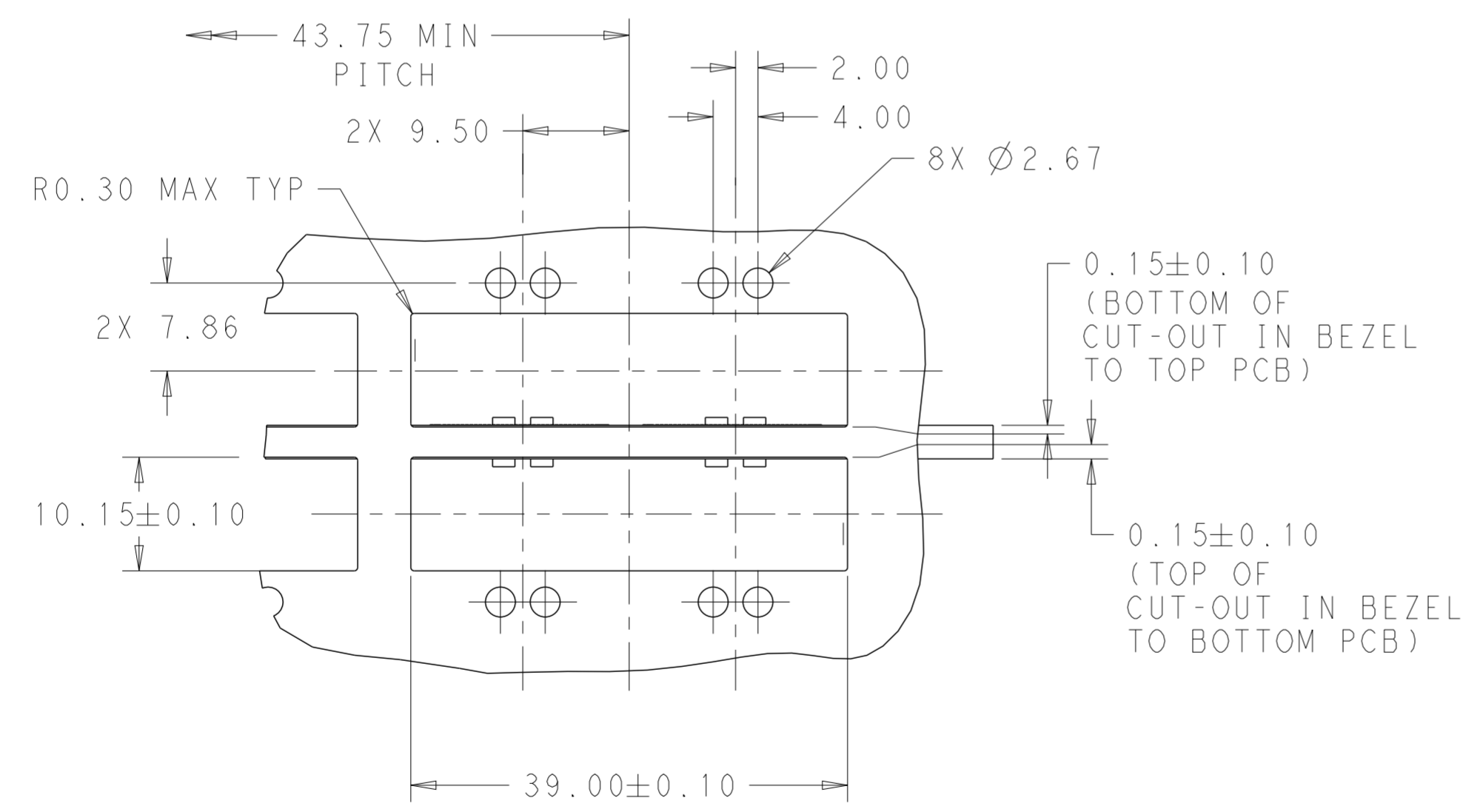
THIS DRAWING IS A CONTROLLED DOCUMENT.		DWN BING LIU 16SEP2014	TE Connectivity	
DIMENSIONS: mm		CHK JASON YANG 16SEP2014		
TOLERANCES UNLESS OTHERWISE SPECIFIED:		APVD SEAN HAN 26OCT2015	NAME RECEPTACLE CAGE ASSEMBLY WITH LIGHT PIPES, THRU BEZEL, 1X2, QSFP28	
0 PLC ±		PRODUCT SPEC 108-19428	SIZE A2	
1 PLC ±0.25		APPLICATION SPEC 114-32023	CAGE CODE 00779	
2 PLC ±0.2		WEIGHT -	DRAWING NO C-2170813	
3 PLC ±		CUSTOMER DRAWING	RESTRICTED TO -	
4 PLC ±			SCALE 3:1	
ANGLES ±			SHEET 1 OF 5	
FINISH ±			REV A1	
SEE NOTES				

THIS DRAWING IS UNPUBLISHED. RELEASED FOR PUBLICATION 20
 © COPYRIGHT 20 BY - ALL RIGHTS RESERVED.

LOC		DIST		REVISIONS			
P	LTR	DESCRIPTION		DATE	DWN	APVD	
rev_sym_1	16SEP11	16SEP11	16SEP11	rev.date	rev.dwn	rev.apvd	1
rev_sym_2	rev_desc_2	rev.date	rev.dwn	rev.date	rev.dwn	rev.apvd	2
rev_sym_3	rev_desc_3	rev.date	rev.dwn	rev.date	rev.dwn	rev.apvd	3
rev_sym_4	rev_desc_4	rev.date	rev.dwn	rev.date	rev.dwn	rev.apvd	4



SINGLE SIDE MOUNTING
SCALE 2:1

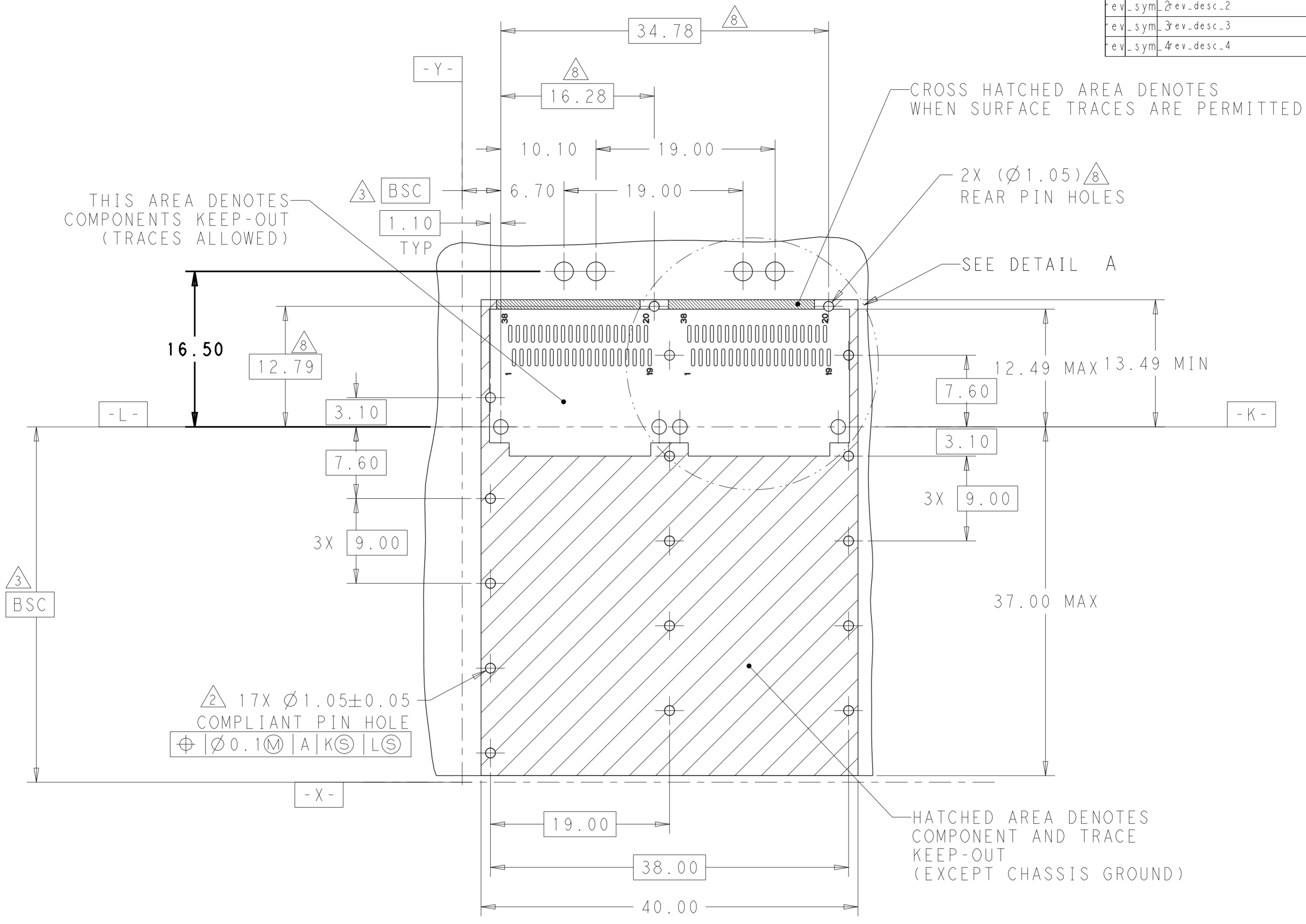


BELLY TO BELLY MOUNTING
SCALE 2:1

THIS DRAWING IS A CONTROLLED DOCUMENT.		DWN BING LIU 16SEP2014	STE TE Connectivity	
DIMENSIONS: mm		CHK JASON YANG 16SEP2014		
TOLERANCES UNLESS OTHERWISE SPECIFIED:		APVD SEAN HAN 26OCT2015	NAME RECEPTACLE CAGE ASSEMBLY WITH LIGHT PIPES, THRU BEZEL, 1X2, QSFP28	
0 PLC ±		PRODUCT SPEC 108-19428	SIZE CAGE CODE DRAWING NO	
1 PLC ±0.25		APPLICATION SPEC 114-32023	RESTRICTED TO	
2 PLC ±0.2		WEIGHT -	A200779 C-2170813	
3 PLC ±		CUSTOMER DRAWING SCALE 3:1 SHEET 2 OF 5 REV A1		
4 PLC ±				
ANGLES ±				
FINISH SEE NOTES				
MATERIAL SEE NOTES material_2				
finish_spec_2				

THIS DRAWING IS UNPUBLISHED. RELEASED FOR PUBLICATION 20
 © COPYRIGHT 20 BY - ALL RIGHTS RESERVED.

LOC		DIST		REVISIONS			
P	LTR	DESCRIPTION	DATE	DWN	APVD		
rev_sym_1	16SEP2014	11	rev_date	rev_dwn	rev_apvd		
rev_sym_2	rev_desc_2		rev_date	rev_dwn	rev_apvd		
rev_sym_3	rev_desc_3		rev_date	rev_dwn	rev_apvd		
rev_sym_4	rev_desc_4		rev_date	rev_dwn	rev_apvd		

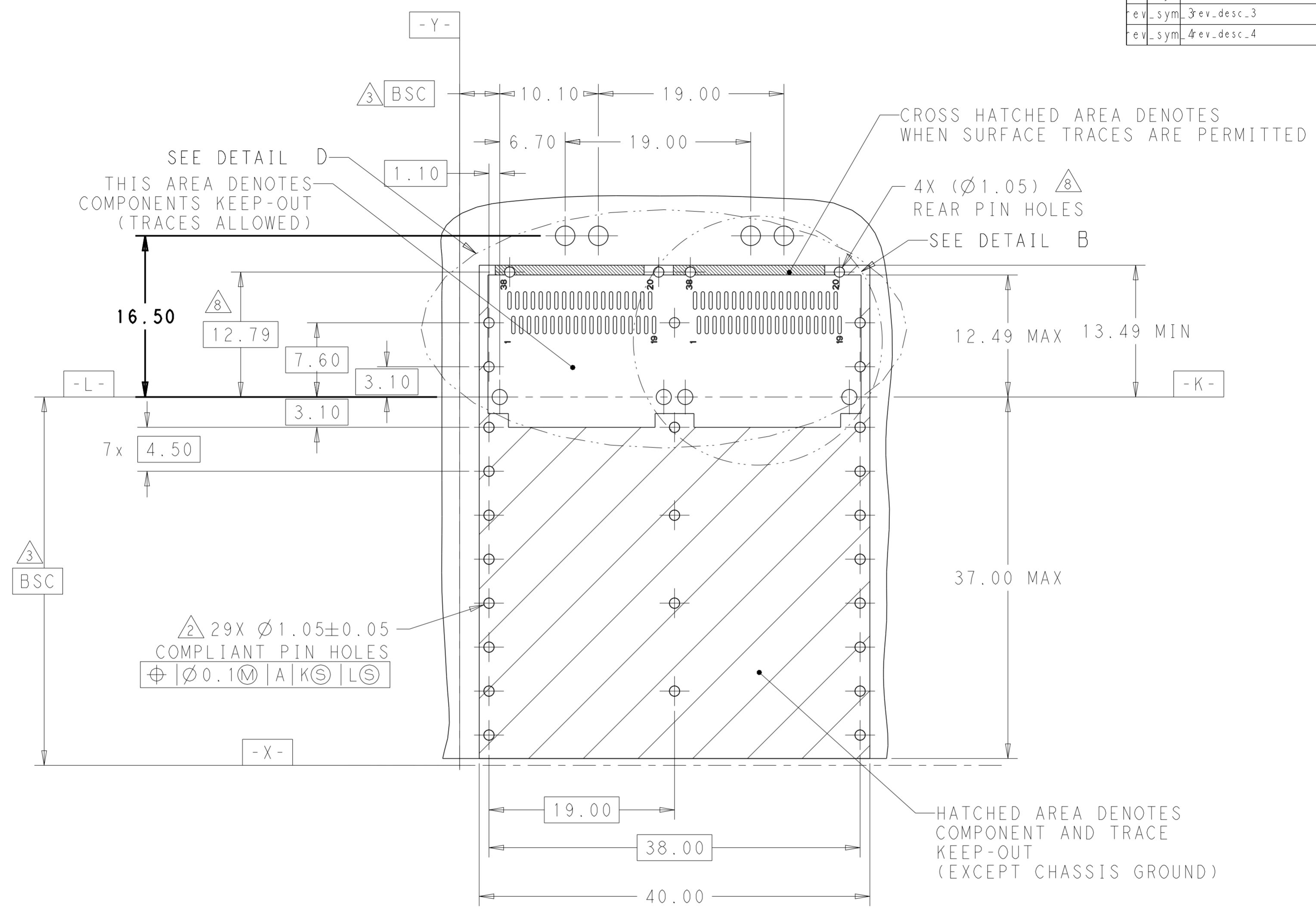


RECOMMENDED PCB LAYOUT
 SINGLE TYPE
 PCB TOLERANCE: ±0.05
 SCALE 3:1

THIS DRAWING IS A CONTROLLED DOCUMENT.		DWN	BING LIU	16SEP2014	TE Connectivity
DIMENSIONS: mm		CHK	JASON YANG	16SEP2014	
TOLERANCES UNLESS OTHERWISE SPECIFIED:		APVD	SEAN HAN	26OCT2015	
0 PLC ± 1 PLC ±0.25 2 PLC ±0.2 3 PLC ± 4 PLC ± ANGLES ±		PRODUCT SPEC	108-19428	NAME	
MATERIAL	SEE NOTES material_2	FINISH	SEE NOTES finish_spec_2	APPLICATION SPEC	114-32023
		WEIGHT	-	SIZE	A200779
		CUSTOMER DRAWING		DRAWING NO	C-2170813
		SCALE 3:1		SHEET 3 OF 5	REV A1

THIS DRAWING IS UNPUBLISHED. RELEASED FOR PUBLICATION 20
 © COPYRIGHT 20 BY - ALL RIGHTS RESERVED.

LOC		DIST		REVISIONS			
P	LTR	DESCRIPTION	DATE	DWN	APVD		
rev_sym_1	16SEP2014	16SEP2014	16SEP2014	rev_date	rev_date	rev_date	rev_date
rev_sym_2	rev_desc_2	rev_date	rev_date	rev_date	rev_date	rev_date	rev_date
rev_sym_3	rev_desc_3	rev_date	rev_date	rev_date	rev_date	rev_date	rev_date
rev_sym_4	rev_desc_4	rev_date	rev_date	rev_date	rev_date	rev_date	rev_date

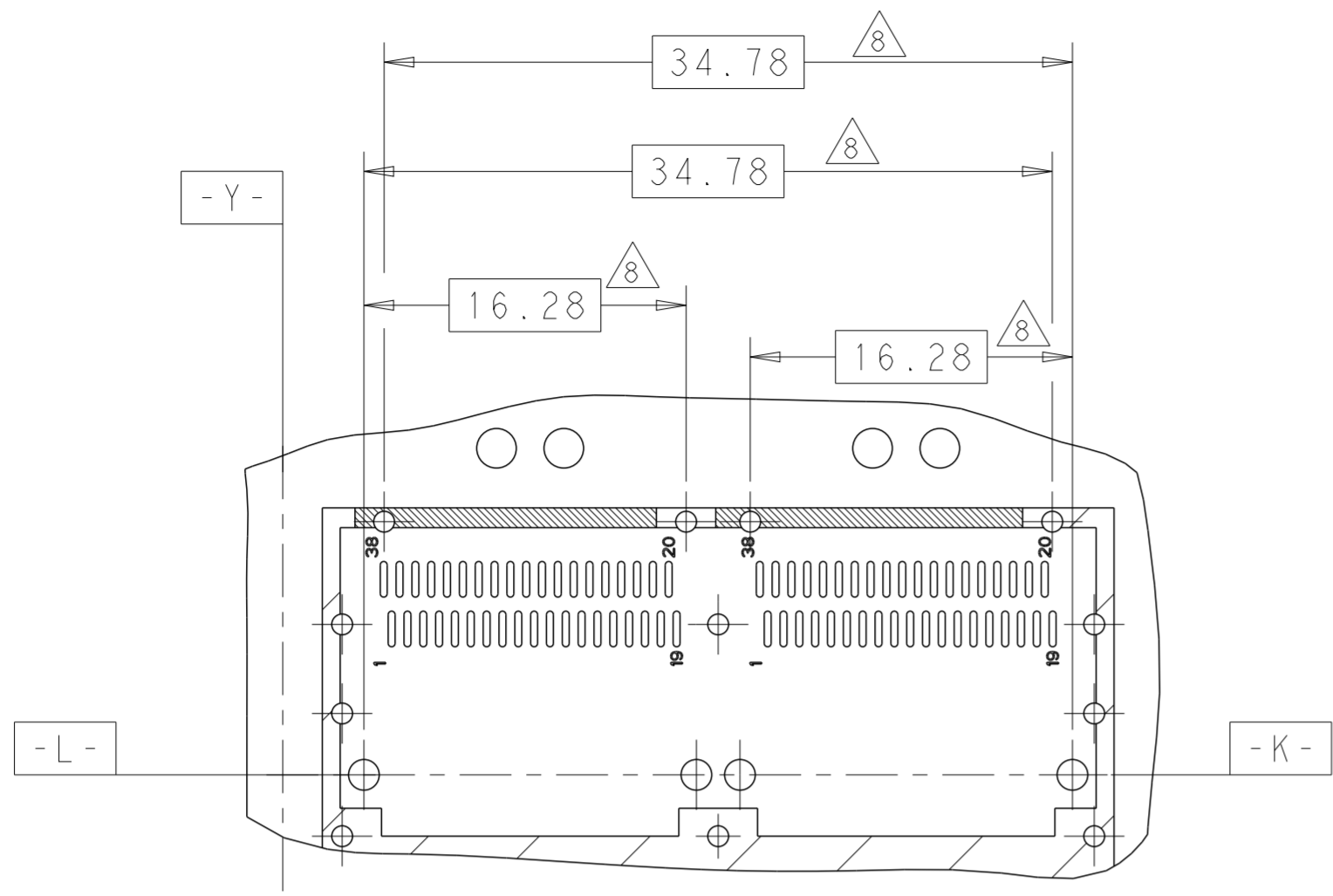


RECOMMENDED PCB LAYOUT
 BELLY TO BELLY TYPE
 PCB TOLERANCE: ±0.05
 SCALE 3:1

THIS DRAWING IS A CONTROLLED DOCUMENT.		DWN BING LIU 16SEP2014	TE Connectivity
DIMENSIONS: mm		CHK JASON YANG 16SEP2014	
TOLERANCES UNLESS OTHERWISE SPECIFIED:		APVD SEAN HAN 26OCT2015	NAME RECEPTACLE CAGE ASSEMBLY WITH LIGHT PIPES, THRU BEZEL, 1X2, QSFP28
0 PLC ± 1 PLC ±0.25 2 PLC ±0.2 3 PLC ± 4 PLC ± ANGLES ±		PRODUCT SPEC 108-19428	SIZE A2
MATERIAL SEE NOTES material_2		APPLICATION SPEC 114-32023	CAGE CODE 00779
FINISH SEE NOTES finish_spec_2		WEIGHT -	DRAWING NO C-2170813
		CUSTOMER DRAWING	RESTRICTED TO -
		SCALE 3:1	SHEET 4 OF 5
			REV A1

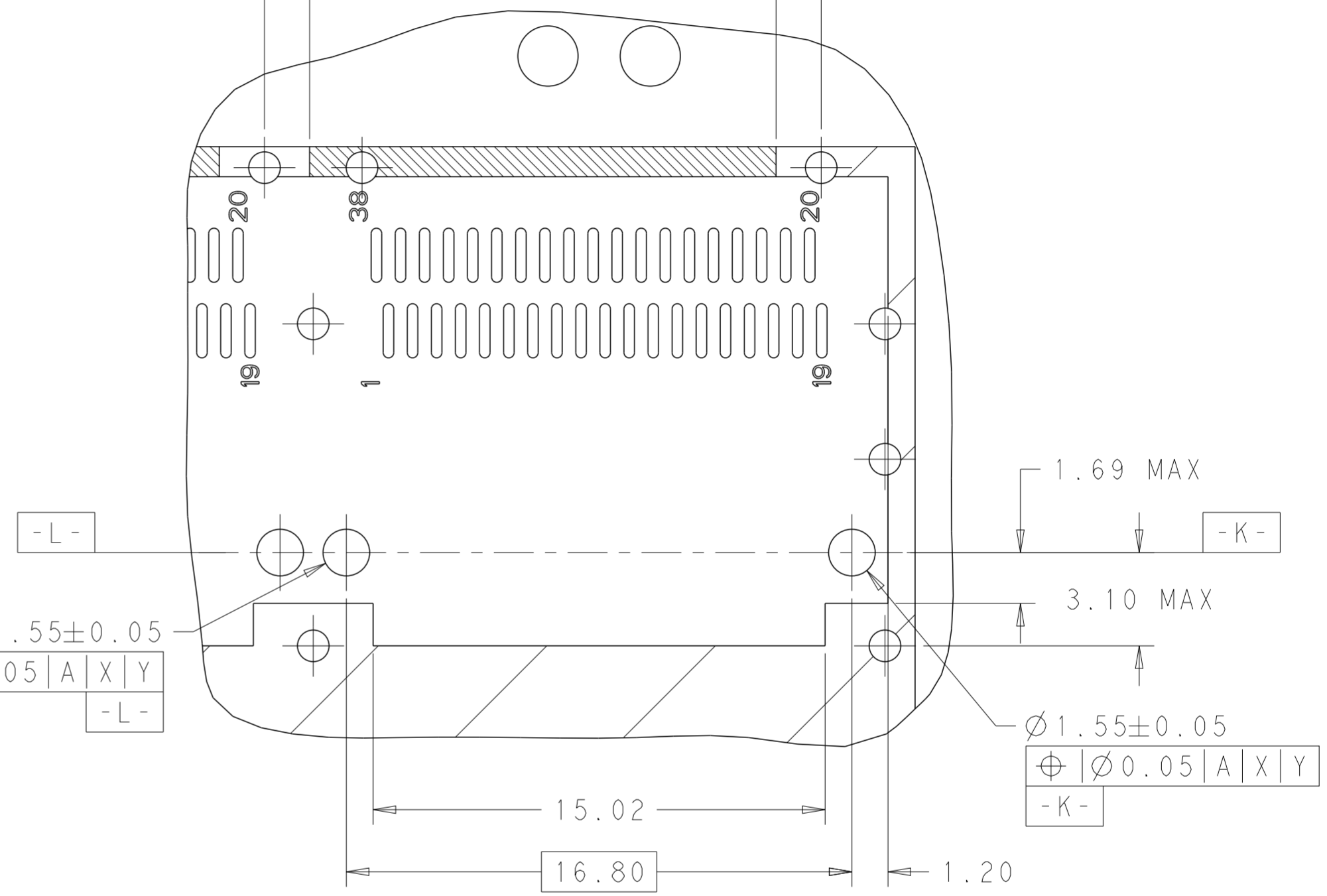
THIS DRAWING IS UNPUBLISHED. RELEASED FOR PUBLICATION 20
 © COPYRIGHT 20 BY - ALL RIGHTS RESERVED.

LOC		DIST		REVISIONS			
P	LTR	DESCRIPTION	DATE	DWN	APVD		
rev_sym_1	16SEP2014	16SEP2014	16SEP2014	rev.dater	lev.dwn	lapp	1
rev_sym_2	rev_desc_2	rev.dater	lev.dwn	lapp			2
rev_sym_3	rev_desc_3	rev.dater	lev.dwn	lapp			3
rev_sym_4	rev_desc_4	rev.dater	lev.dwn	lapp			4



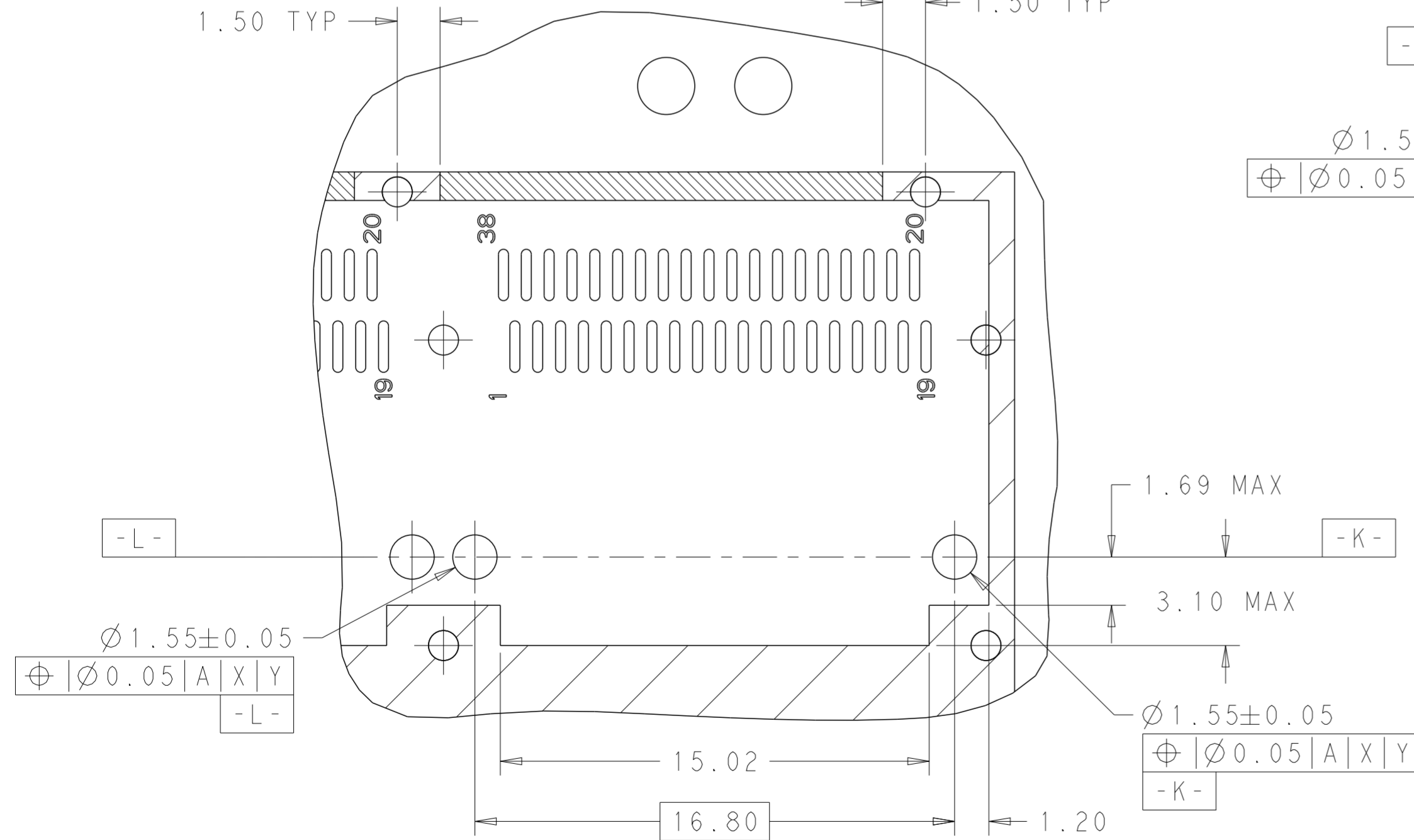
DETAIL D
SCALE 3:1

1.50 TYP



DETAIL B
SCALE 6:1

1.50 TYP



DETAIL A
SCALE 6:1

THIS DRAWING IS A CONTROLLED DOCUMENT.		DWN BING LIU 16SEP2014	STE TE Connectivity
		CHK JASON YANG 16SEP2014	
DIMENSIONS: mm		APVD SEAN HAN 26OCT2015	NAME RECEPTACLE CAGE ASSEMBLY WITH LIGHT PIPES, THRU BEZEL, 1X2, QSFP28
TOLERANCES UNLESS OTHERWISE SPECIFIED:		PRODUCT SPEC 108-19428	
0 PLC ±		APPLICATION SPEC 114-32023	SIZE CAGE CODE DRAWING NO
1 PLC ±0.25		WEIGHT -	A200779C-2170813
2 PLC ±0.2			RESTRICTED TO
3 PLC ±			-
4 PLC ±			
ANGLES ±			
FINISH SEE NOTES			
MATERIAL SEE NOTES material_2			
finish_spec_2			
		CUSTOMER DRAWING	SCALE 3:1 SHEET 5 OF 5 REV A1