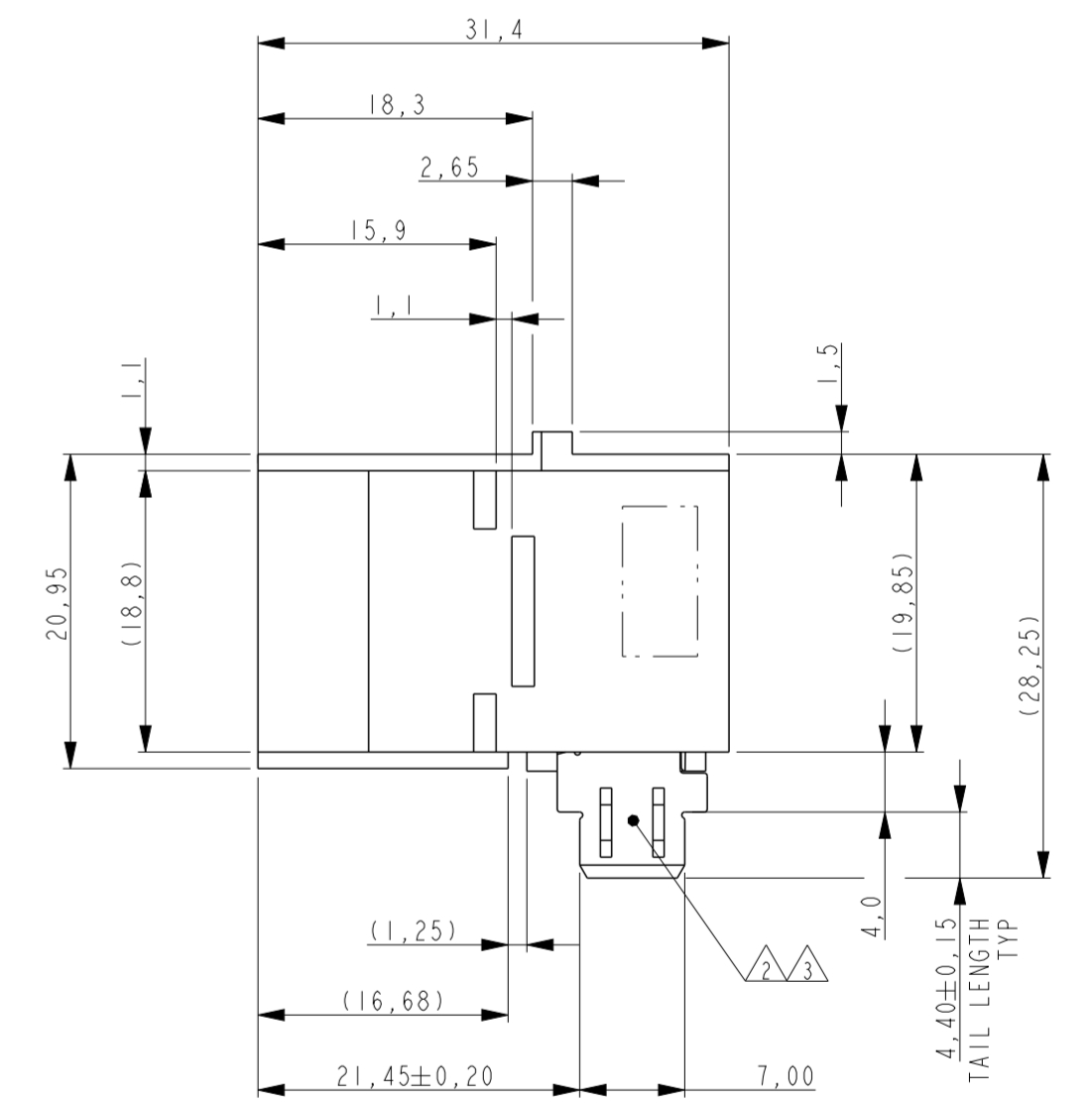
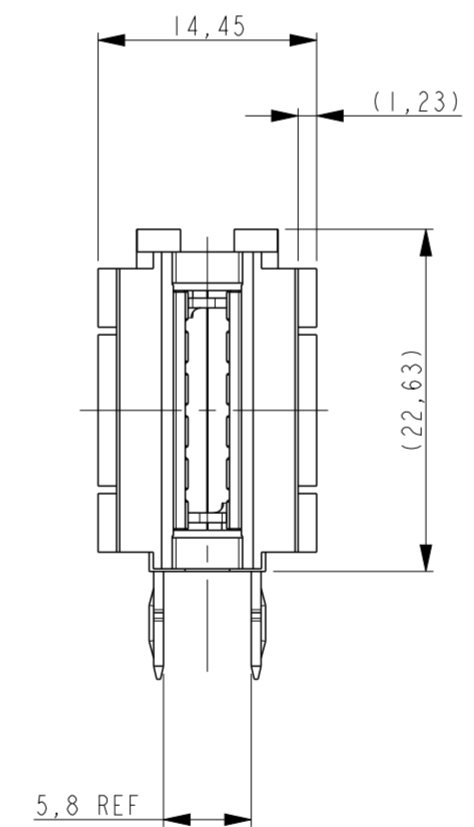
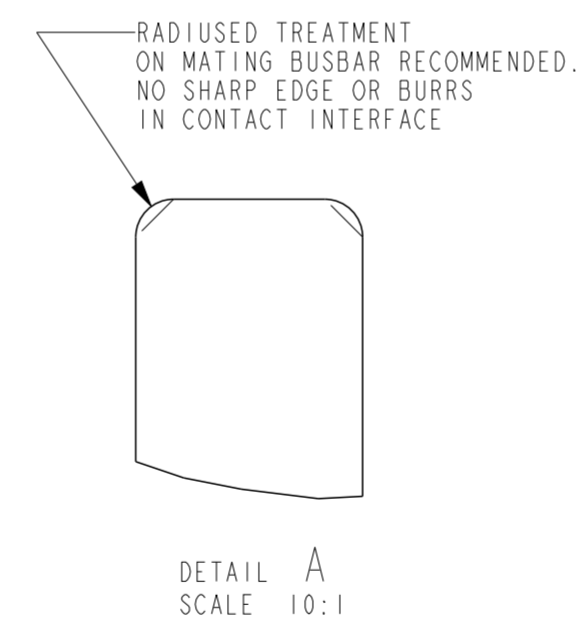
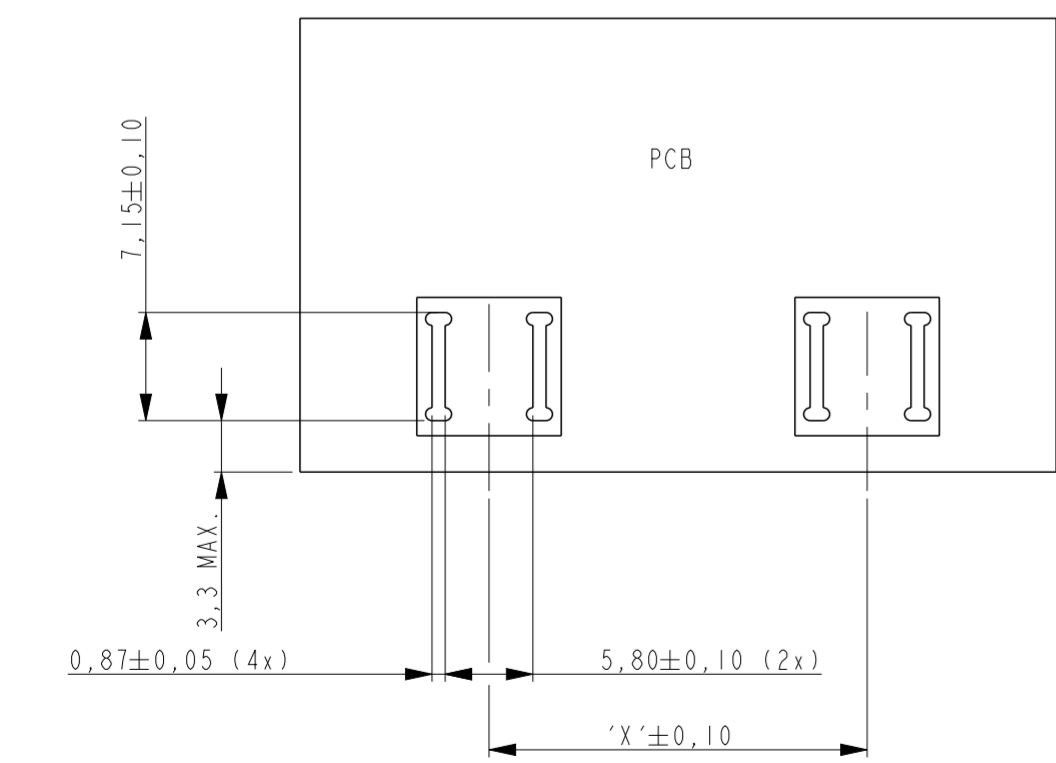
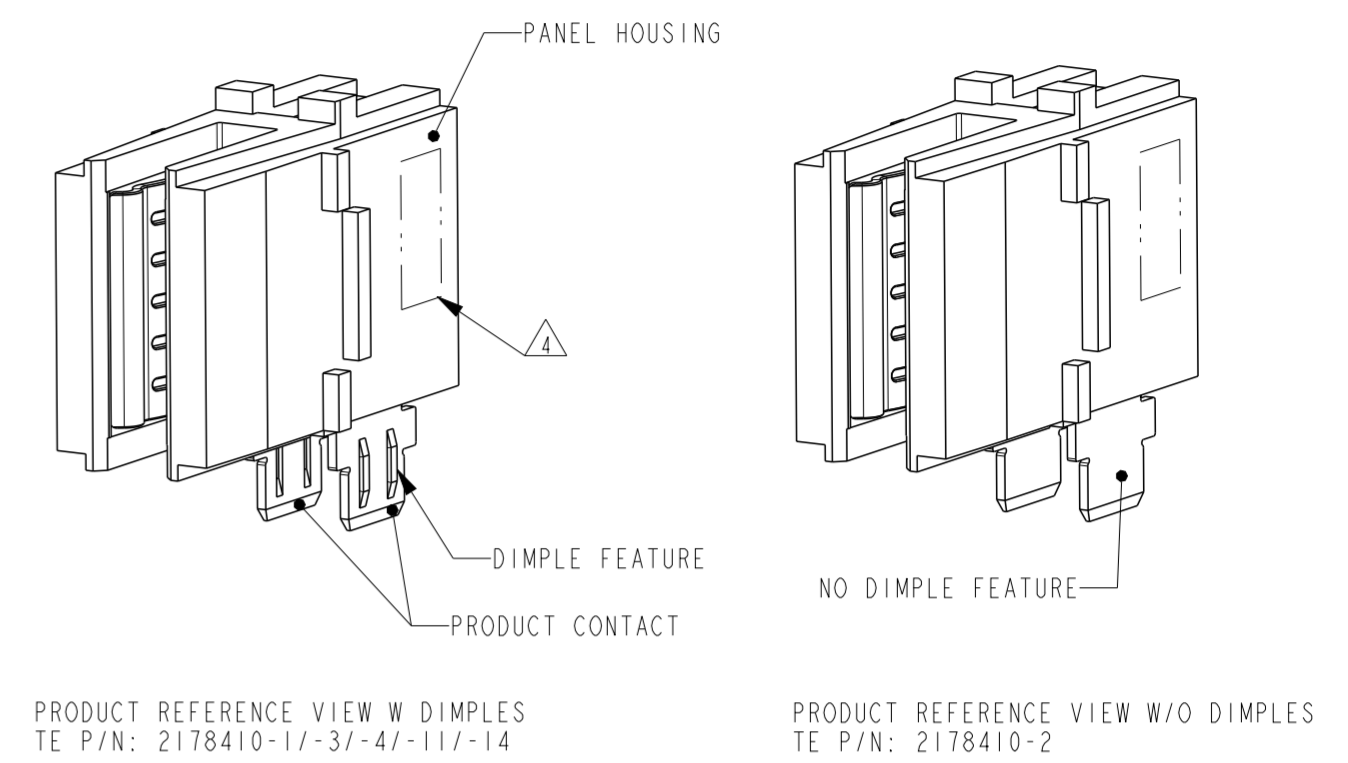
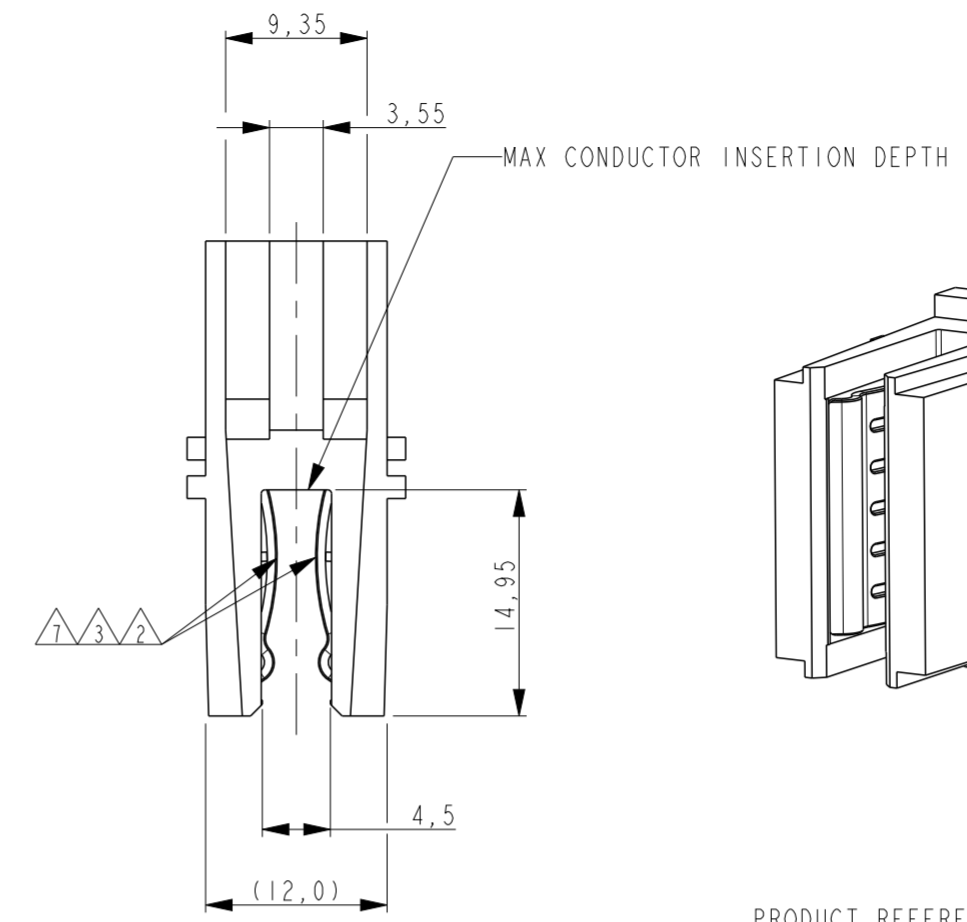
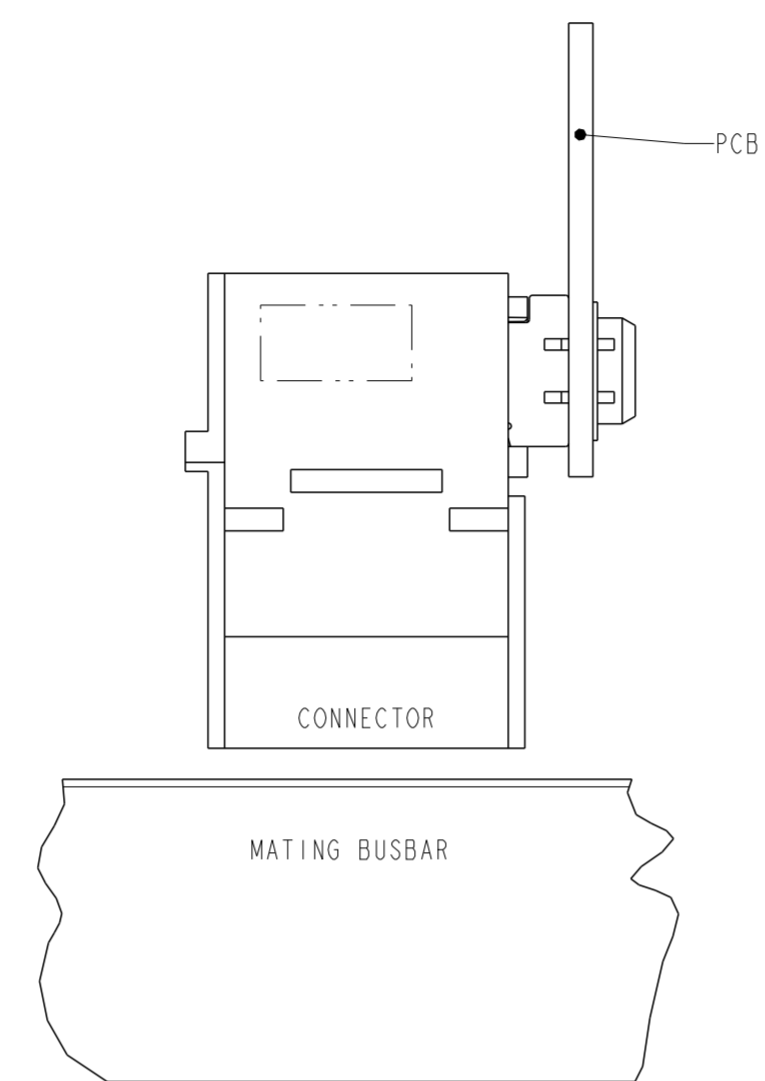
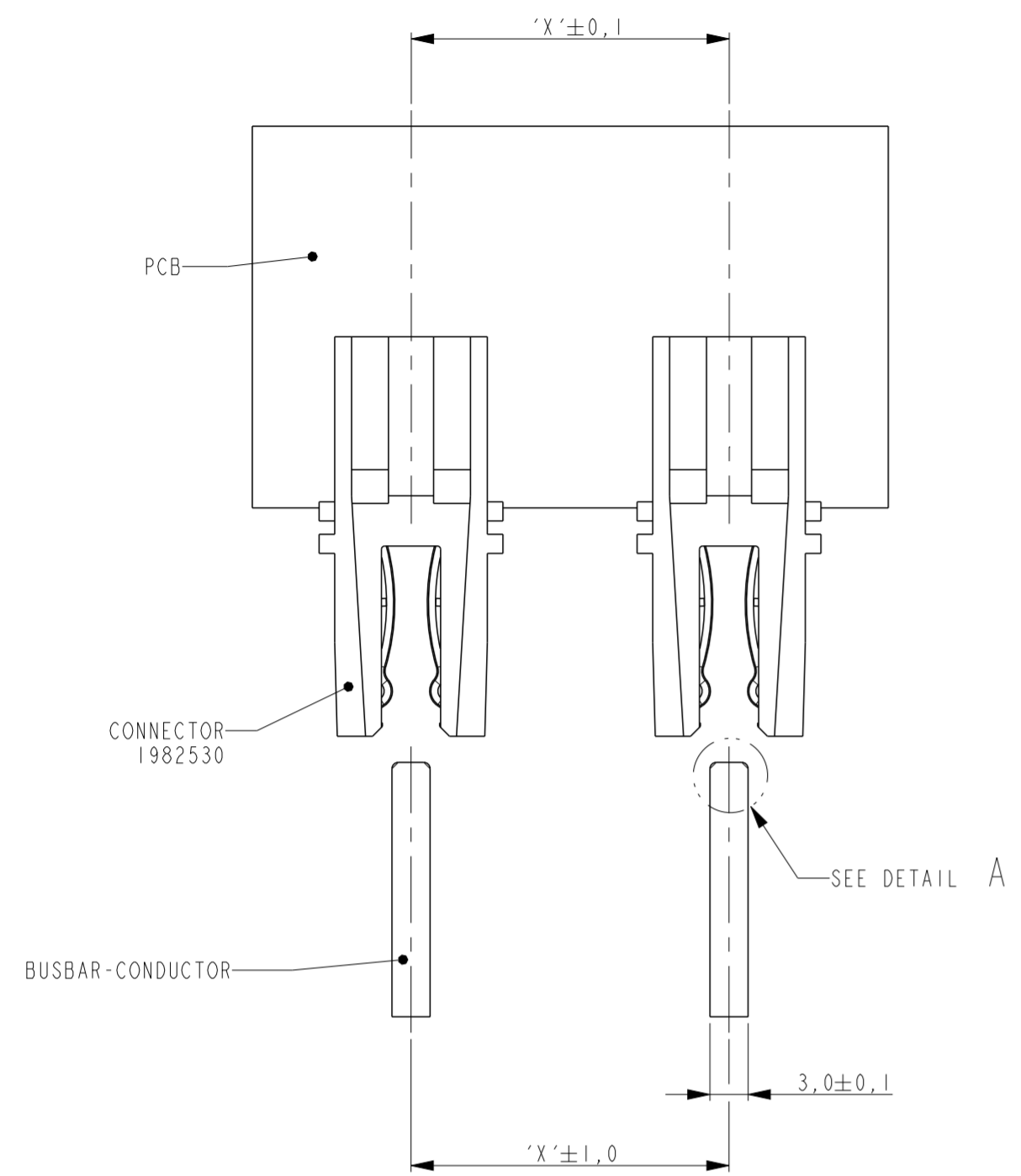


THIS DRAWING IS UNPUBLISHED. RELEASED FOR PUBLICATION
 © COPYRIGHT - BY - TE CONNECTIVITY ALL RIGHTS RESERVED.

LOC	DIST	REVISIONS					
ES	00	P	LTR	DESCRIPTION	DATE	DWN	APVD
		A6		ADD NEW PART NUMBER -3/-4/-11	19MAY2023	ML	WY
		A7		ECR-24-210932	07AUG2023	DG	DG



- NOTES:
- PCB MUST BE SUPPORTED WHILE INSERTING THE CONNECTOR IN THE SLOTS TO AVOID BENDING OF THE BOARD.
 - PLATING: 1,2µm MIN. NICKEL UNDERLAYER ALLOVER.
 - 3,0µm MIN. TIN IN INDICATED AREA.
 - TE P/N AND DATE CODE.
 - MATERIAL:
POWER CONTACT: HIGH CONDUCTIVITY COPPER ALLOY.
HOUSING: THERMOPLASTIC, BLACK, UL94 V-0.
 - OTHER RECOMMENDED PCB LAYOUT DESIGN, PLEASE REFER TO DRAWING 2178531
 - 0,76µm MIN GOLD PLATING IN PRODUCT CONTACT AREA.

PLATING	DIMPLE FEATURE	HALOGEN FREE	DESCRIPTION	TE P/N	NO
WITHOUT	WITHOUT	NO-HALOGEN FREE	CROWN CLIP JUNIOR POWER CONNECTOR	2178410-5	7
WITH	WITH	HALOGEN FREE	CROWN CLIP JUNIOR POWER CONNECTOR(GOLD)	1-2178410-4	6
WITH	WITH	HALOGEN FREE	CROWN CLIP JUNIOR POWER CONNECTOR	1-2178410-1	5
WITH	WITH	HALOGEN FREE	CROWN CLIP JUNIOR POWER CONNECTOR(GOLD)	2178410-4	4
WITH	WITH	HALOGEN FREE	CROWN CLIP JUNIOR POWER CONNECTOR	2178410-3	3
WITHOUT	WITHOUT	HALOGEN FREE	CROWN CLIP JUNIOR POWER CONNECTOR	2178410-2	2
WITH	WITH	NO-HALOGEN FREE	CROWN CLIP JUNIOR POWER CONNECTOR	2178410-1	1
PLATING	DIMPLE FEATURE	HALOGEN FREE	DESCRIPTION	TE P/N	NO

THIS DRAWING IS A CONTROLLED DOCUMENT.

DWN: SUDHAKAR 12 sep 12
 CHK: SUDHAKAR 12 sep 12
 APVD: RAJENDRA 12 sep 12

PRODUCT SPEC: 108-19360
 APPLICATION SPEC: 114-19128

MATERIAL: -
 FINISH: -

WEIGHT: -

CUSTOMER DRAWING

SCALE: 5:1

SHEET 1 OF 2

REV A7

NAME: PLUGGABLE BUSBAR CONNECTOR SOLDER VERSION CROWN CLIP JUNIOR

SIZE: A2

CAGE CODE: 00779

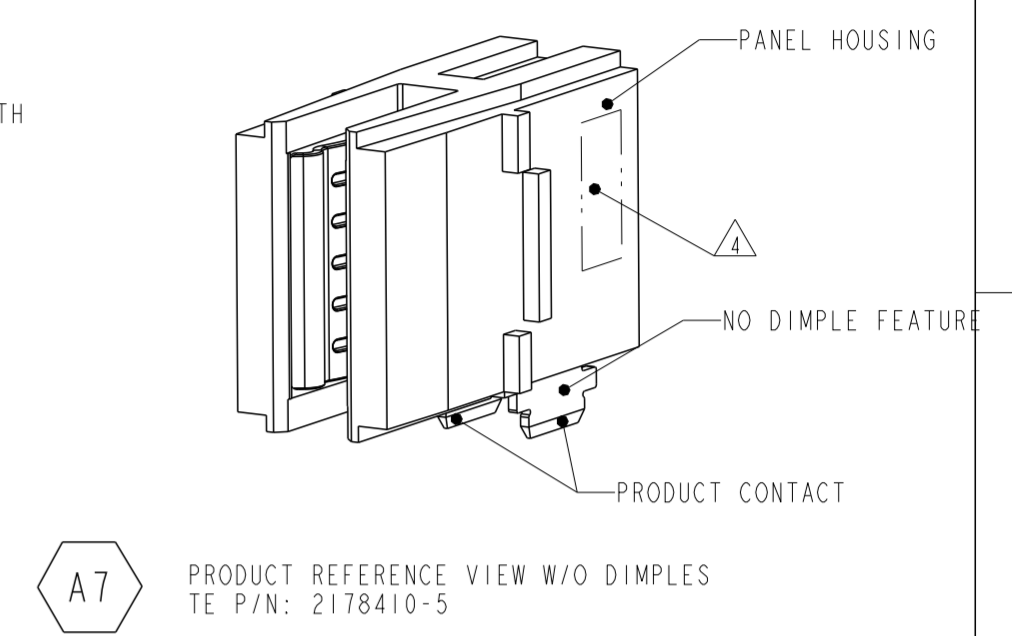
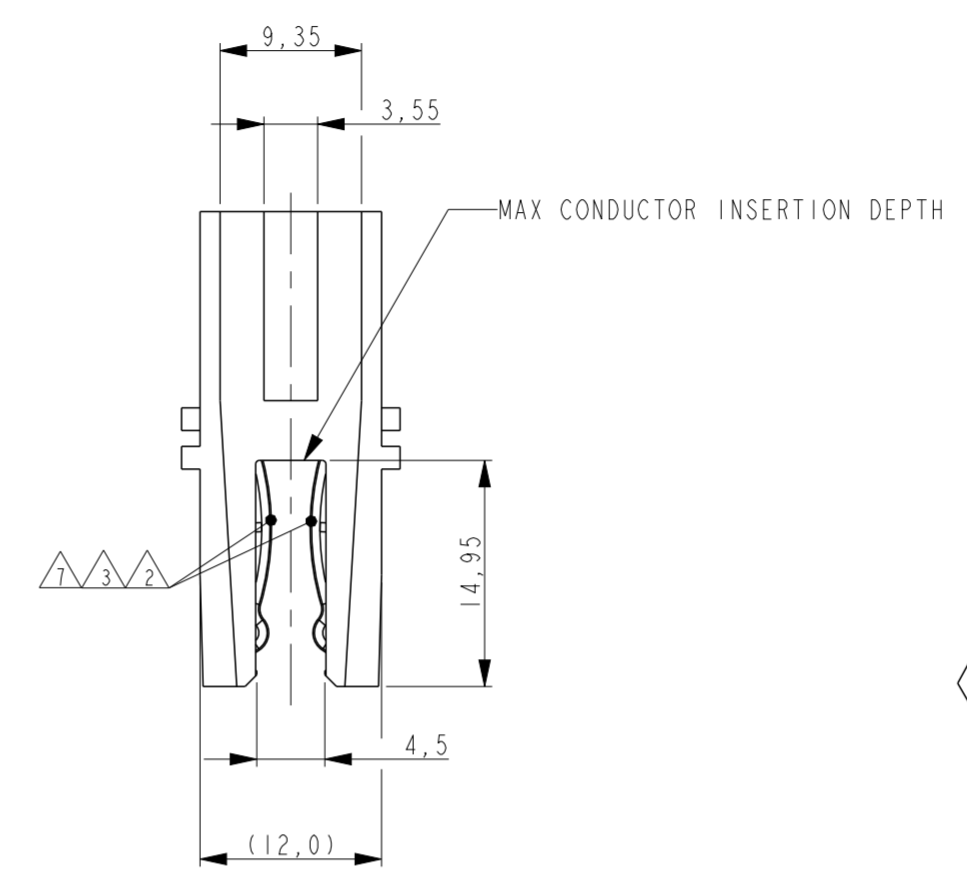
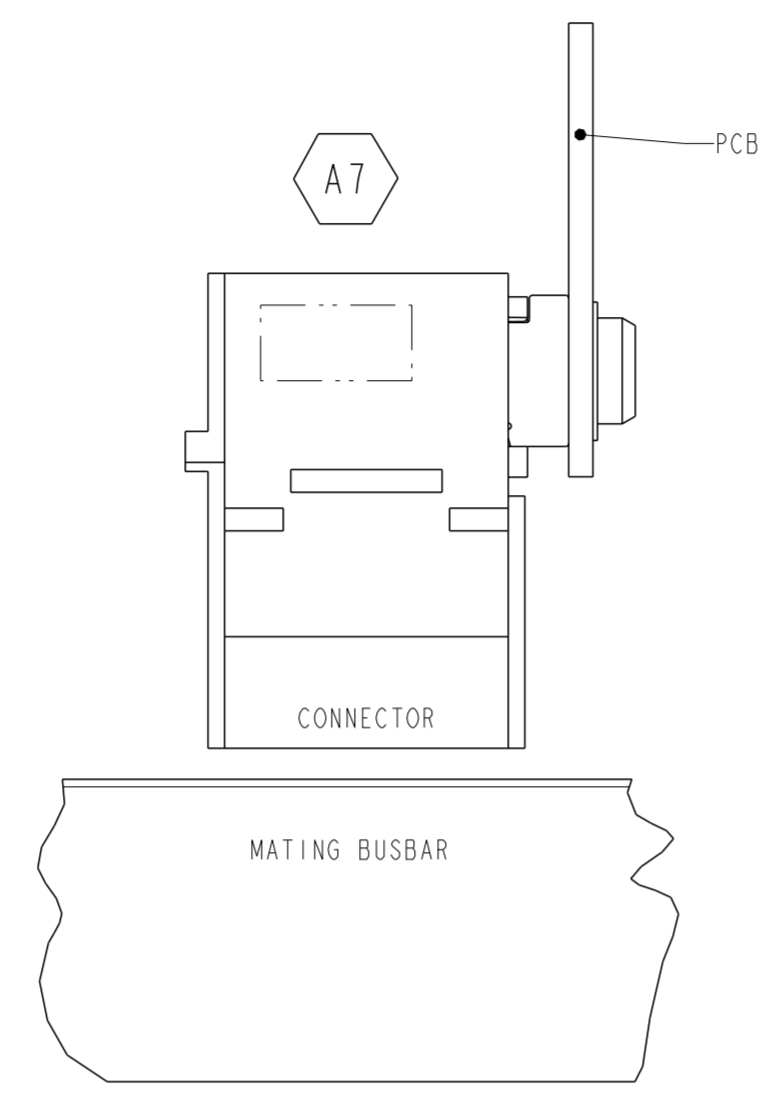
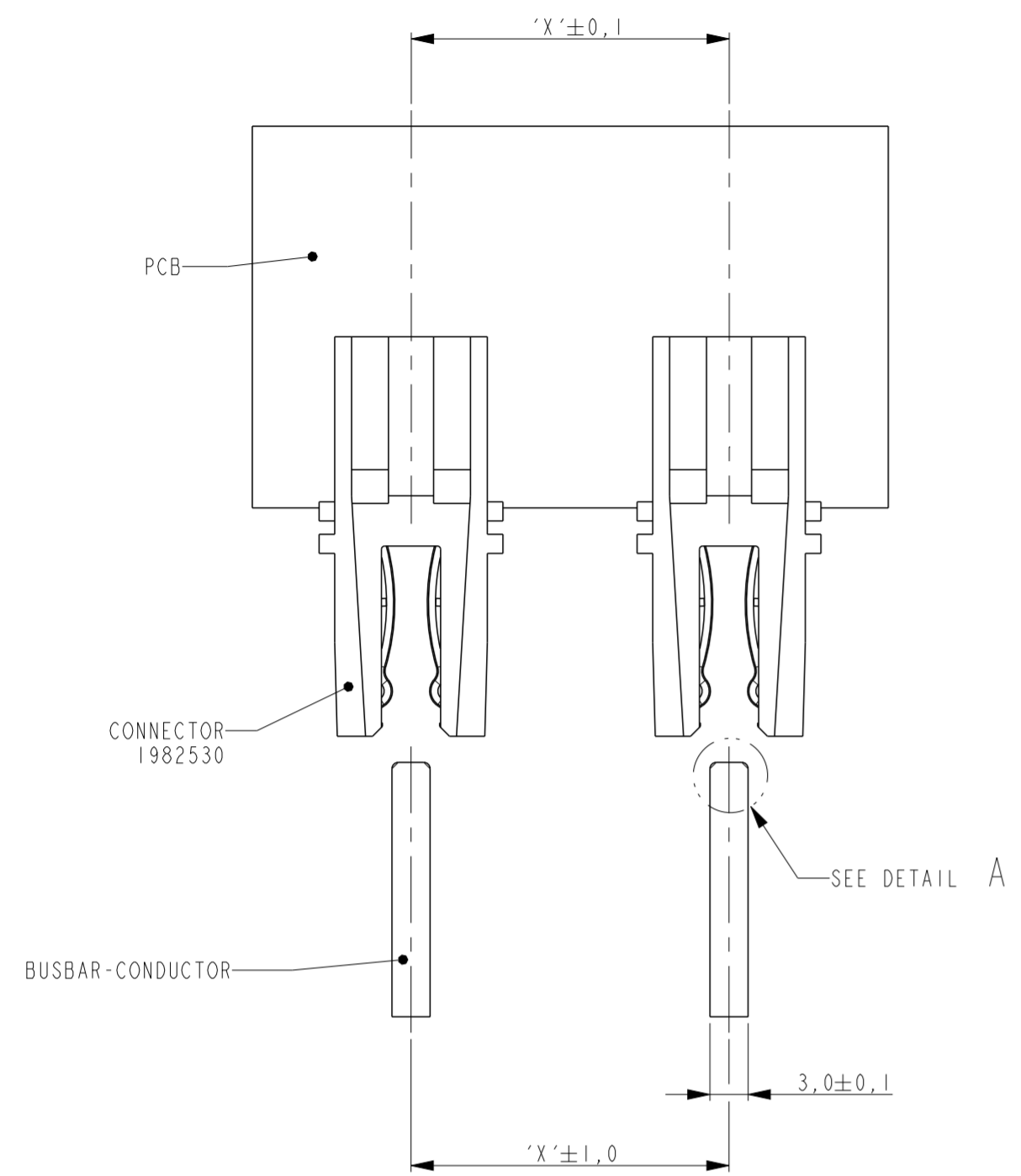
DRAWING NO: C-2178410

RESTRICTED TO: -

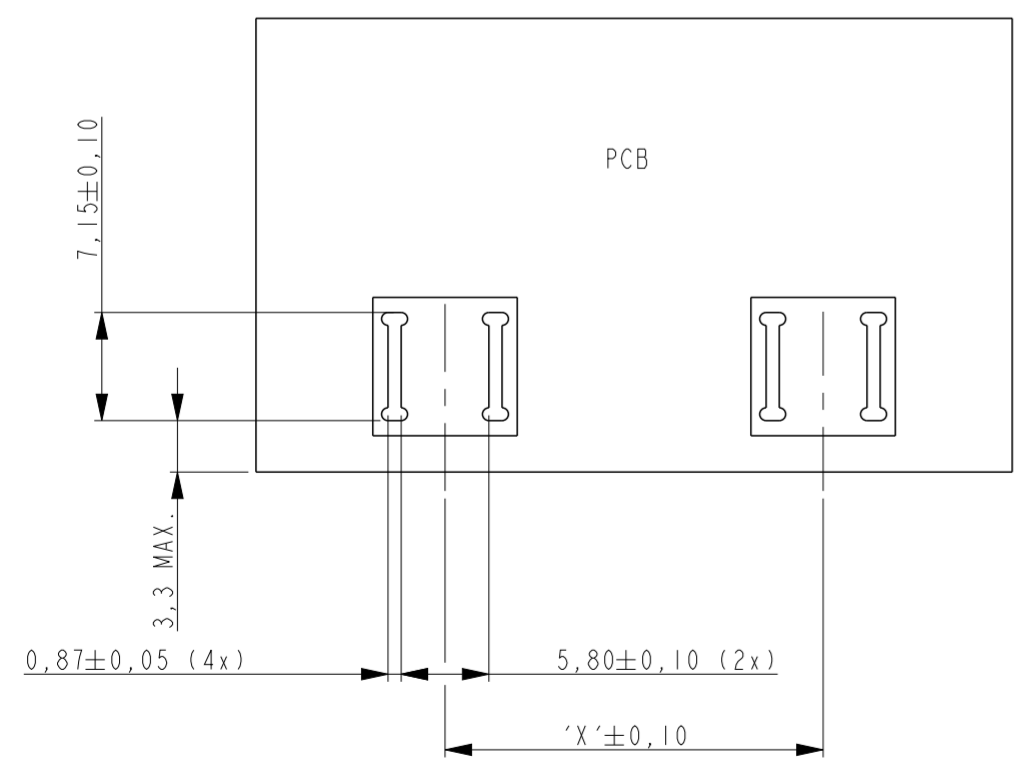
TE Connectivity

THIS DRAWING IS UNPUBLISHED. RELEASED FOR PUBLICATION
COPYRIGHT - BY - TE CONNECTIVITY ALL RIGHTS RESERVED.

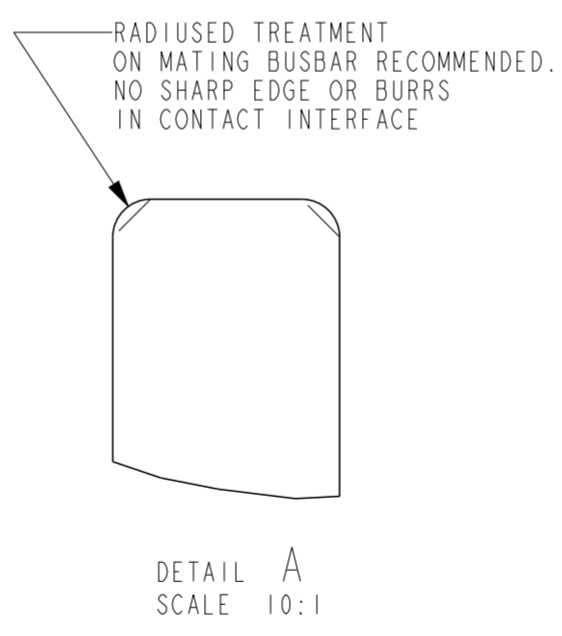
LOC	DIST	REVISIONS					
ES	00	P	LTR	DESCRIPTION	DATE	DWN	APVD
		-		SEE SHEET 1			



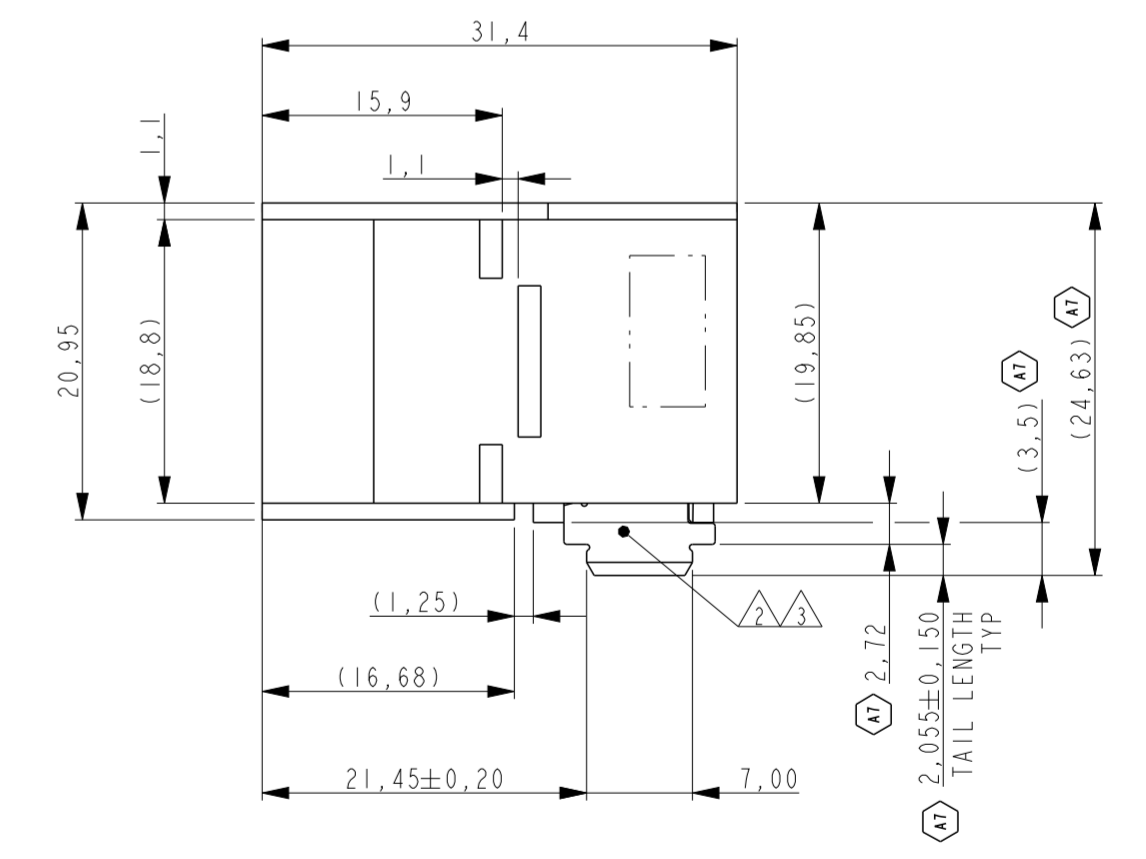
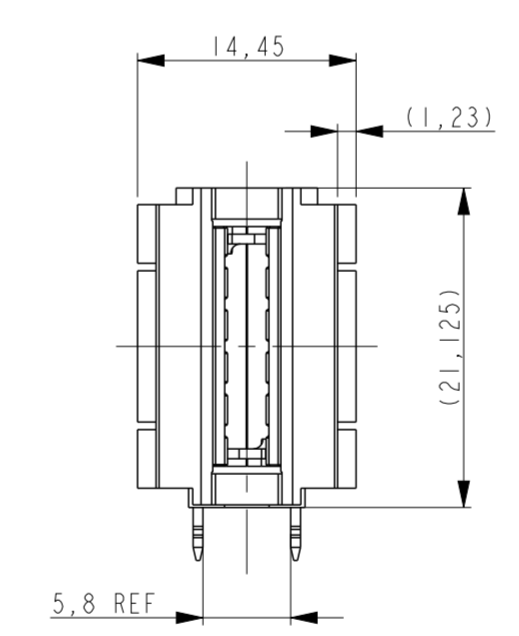
PCB AND MATING BUSBAR REFERENCE VIEW



RECOMMENDED PCB LAY-OUT
THICKNESS: 1,5 - 2,0mm



- NOTES:
- PCB MUST BE SUPPORTED WHILE INSERTING THE CONNECTOR IN THE SLOTS TO AVOID BENDING OF THE BOARD.
 - PLATING: 1,2µm MIN. NICKEL UNDERLAYER ALLOVER.
 - 3,0µm MIN. TIN IN INDICATED AREA.
 - TE P/N AND DATE CODE.
 - MATERIAL:
POWER CONTACT: HIGH CONDUCTIVITY COPPER ALLOY.
HOUSING: THERMOPLASTIC, BLACK, UL94 V-0.
 - OTHER RECOMMENDED PCB LAYOUT DESIGN, PLEASE REFER TO DRAWING 2178531
 - 0,76µm MIN GOLD PLATING IN PRODUCT CONTACT AREA.



THIS DRAWING IS A CONTROLLED DOCUMENT.		DWN SUDHAKAR 12 sep 12	TE Connectivity	
DIMENSIONS: mm		CHK SUDHAKAR 12 sep 12		
TOLERANCES UNLESS OTHERWISE SPECIFIED:		APVD RAJENDRA 12 sep 12	NAME PLUGGABLE BUSBAR CONNECTOR SOLDER VERSION CROWN CLIP JUNIOR	
0 PLC ±		PRODUCT SPEC 108-19360	SIZE A2	
1 PLC ±0.3		APPLICATION SPEC 114-19128	CAGE CODE 00779	DRAWING NO C-2178410
2 PLC ±0.15		WEIGHT -	SCALE 5:1	SHEET 2 OF 2
3 PLC ±0.050		CUSTOMER DRAWING	REV A7	RESTRICTED TO -
4 PLC ±				
ANGLES ±2°				
FINISH				