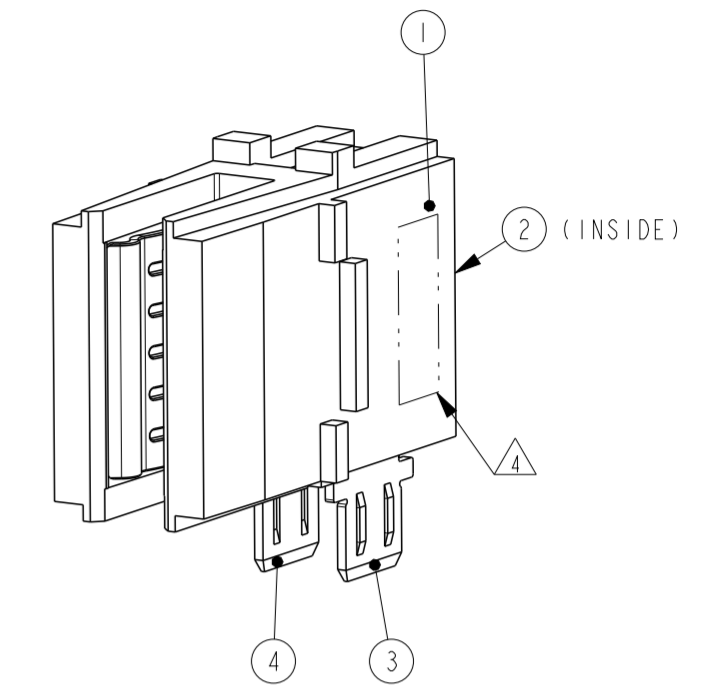
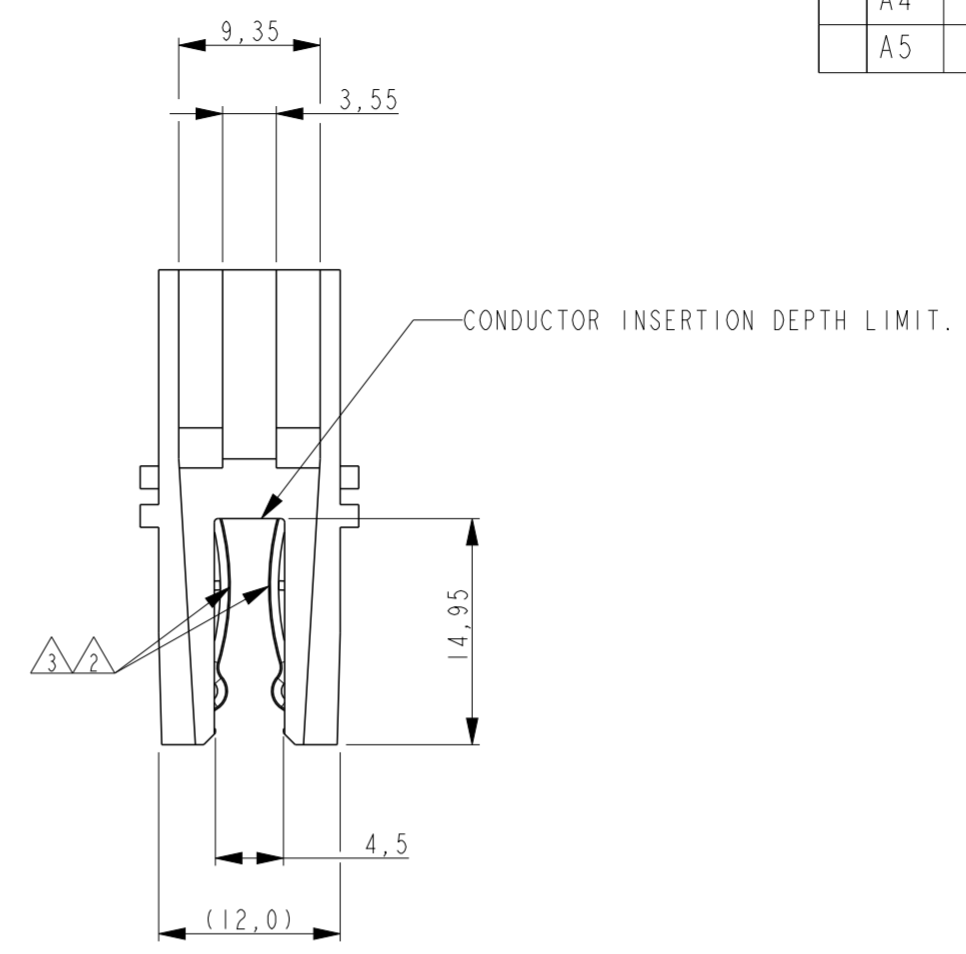
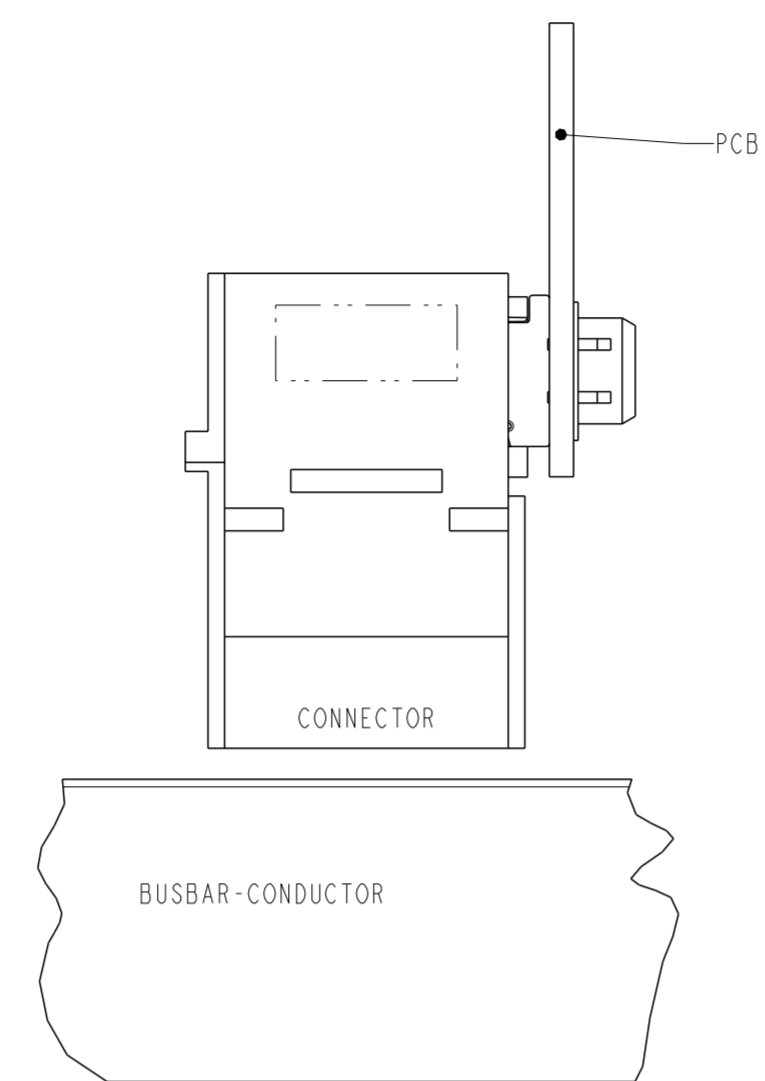
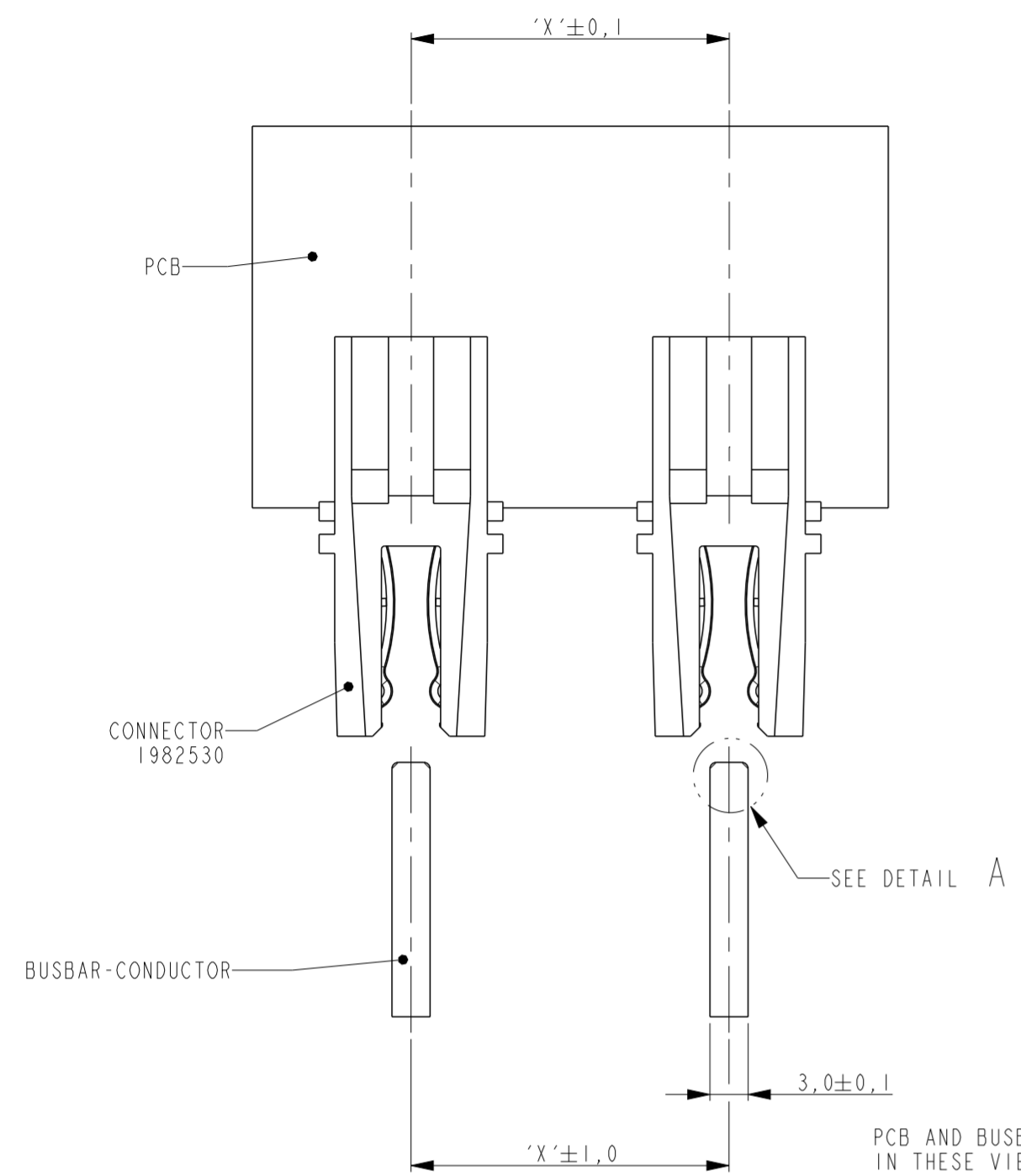
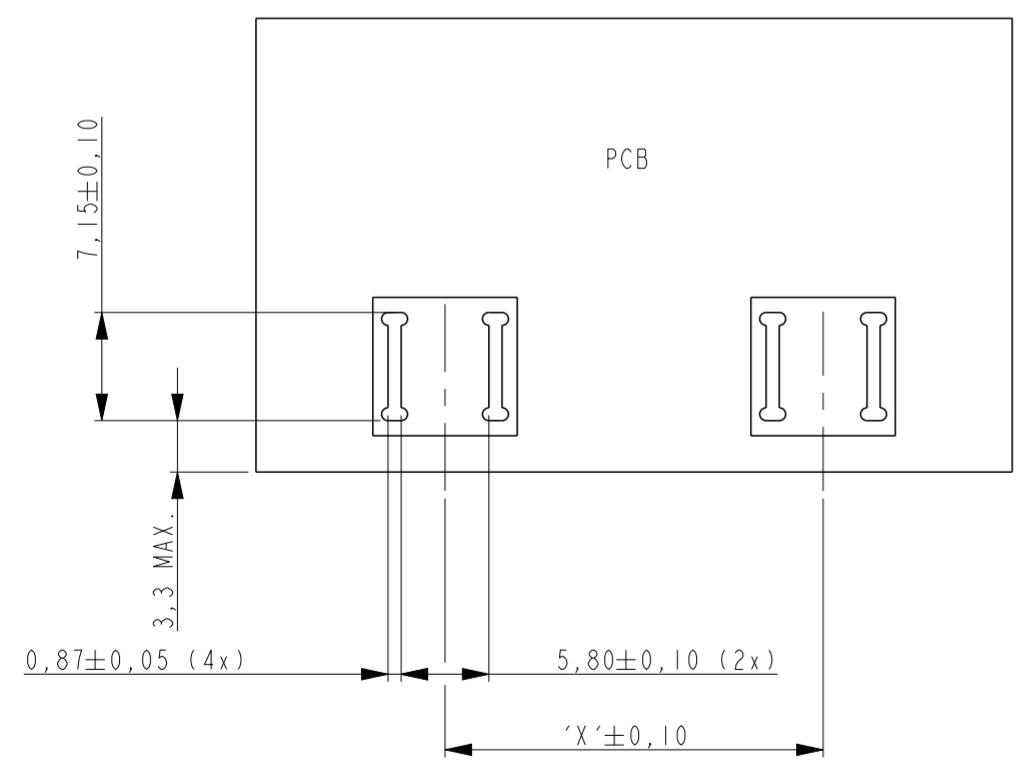
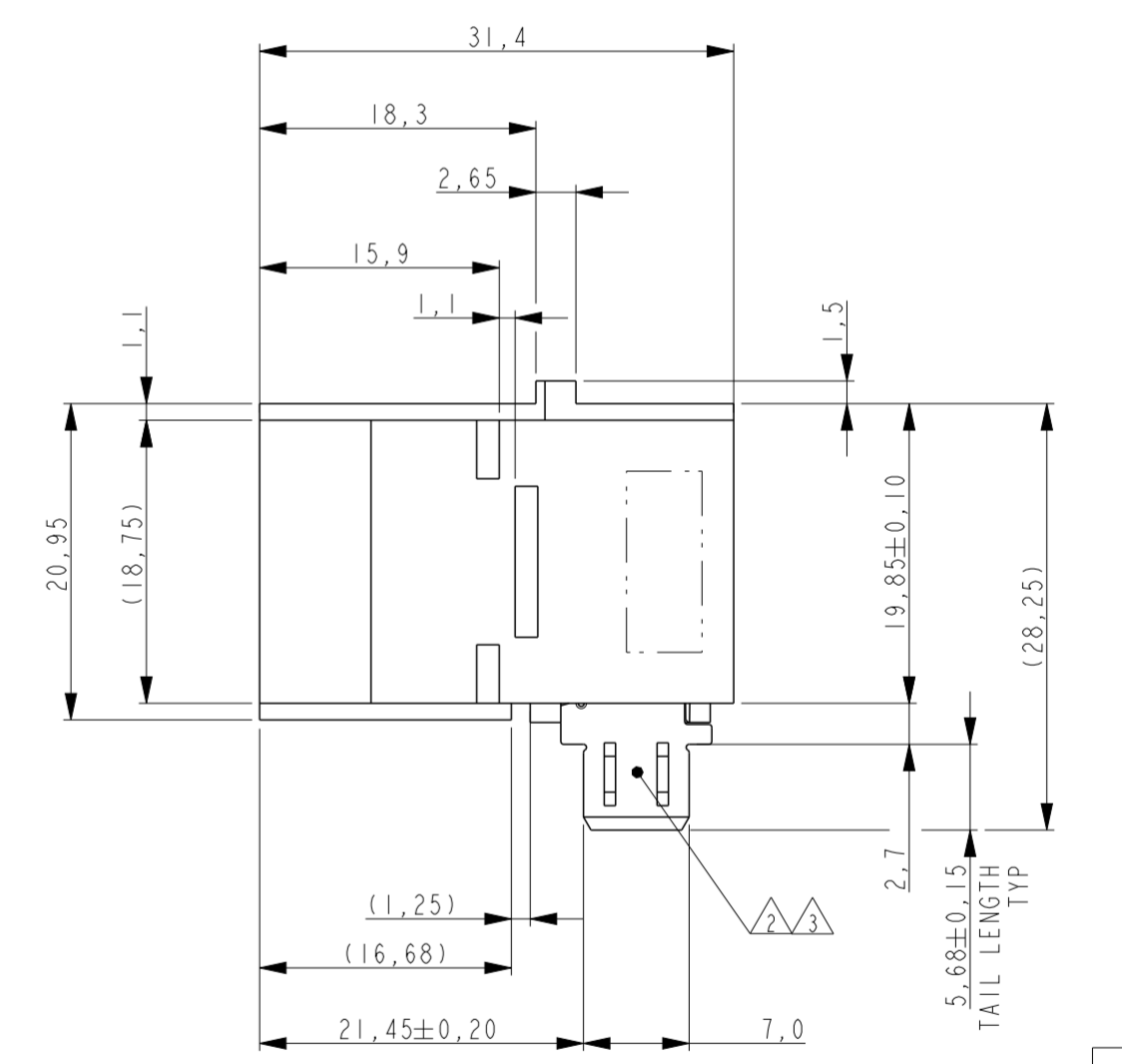
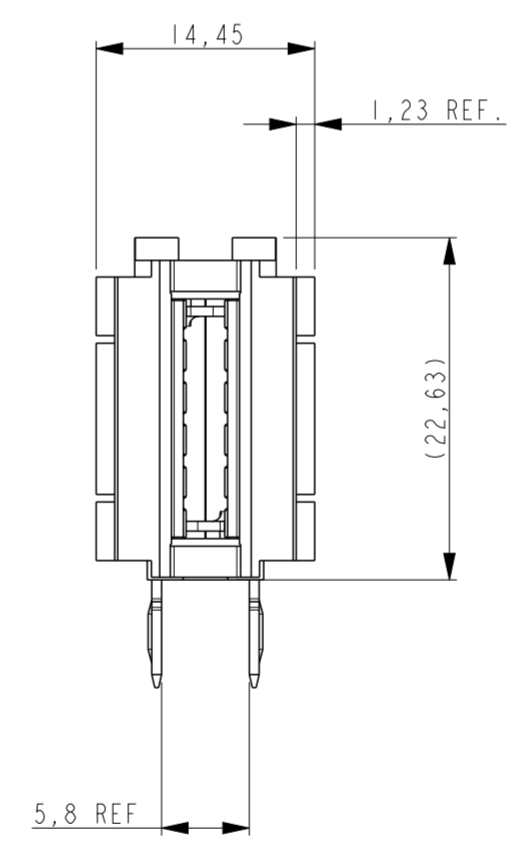
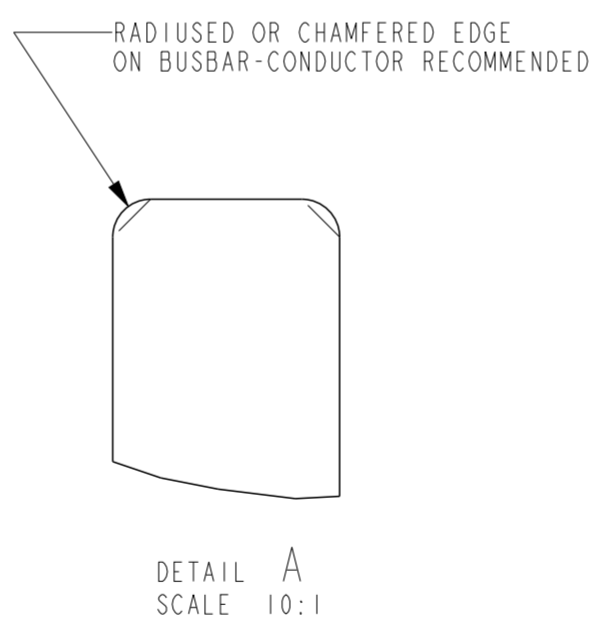


THIS DRAWING IS UNPUBLISHED. RELEASED FOR PUBLICATION  
 © COPYRIGHT - BY - ALL RIGHTS RESERVED.

LOC	DIST	REVISIONS					
ES	00	P	LTR	DESCRIPTION	DATE	DWN	APVD
		A1		ECR-12-017404	05OCT2012	SS	RRP
		A2		REV PER ECR-14-007496	20MAY2014	ML	SZ
		A4		REVISED AS PER ECN-24-265214	14MAY2024	DG	WZ
		A5		ECR-24-209903	31MAY2024	DG	WZ



PCB AND BUSBAR-CONDUCTORS, IN THESE VIEWS ARE SHOWN FOR REFERENCE ONLY.



RECOMMENDED PCB LAY-OUT  
 THICKNESS: 4,8mm MAX

- NOTES:  
 1 PCB MUST BE SUPPORTED WHILE INSERTING THE CONNECTOR IN THE SLOTS TO AVOID BENDING OF THE BOARD.  
 2 PLATING: 1,2µm MIN. NICKEL UNDERLAYER ALLOY.  
 3 3,0µm MIN. TIN IN INDICATED AREA'S.  
 4 AREA FOR DATE-CODE.  
 5 MATERIAL:  
 POWER CONTACT: HIGH CONDUCTIVITY COPPER ALLOY.  
 HOUSING: THERMOPLASTIC, BLACK, UL94 V-0.

THIS DRAWING IS A CONTROLLED DOCUMENT.

DIMENSIONS:	TOLERANCES UNLESS OTHERWISE SPECIFIED:
mm	
	0 PLC ±
	1 PLC ±0.3
	2 PLC ±0.15
	3 PLC ±0.050
	4 PLC ±
	ANGLES ±2°
MATERIAL	FINISH

4	CONTACT LEFT	COPPER ALLOY	△△	I
3	CONTACT RIGHT	COPPER ALLOY	△△	I
2	CLIP	STAINLESS STEEL	-	I
1	HOUSING	HIGH TEMP THERMO PLASTIC UL 94 V0	BLACK	I

ITEM NO.	DESCRIPTION	MATERIAL	FINISH	QTY.

DWN SUDHAKAR 06SEPT2  
 CHK SUDHAKAR 06SEPT2  
 APVD RAJENDRA 06SEPT2

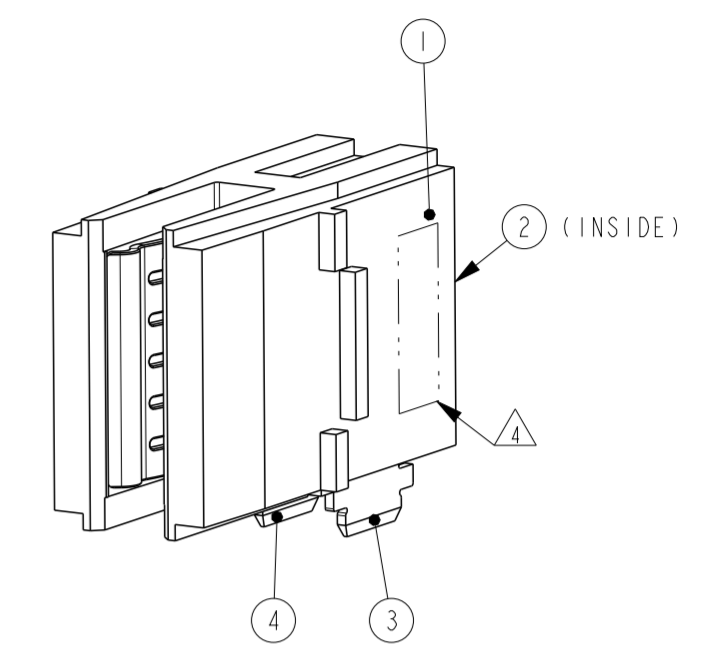
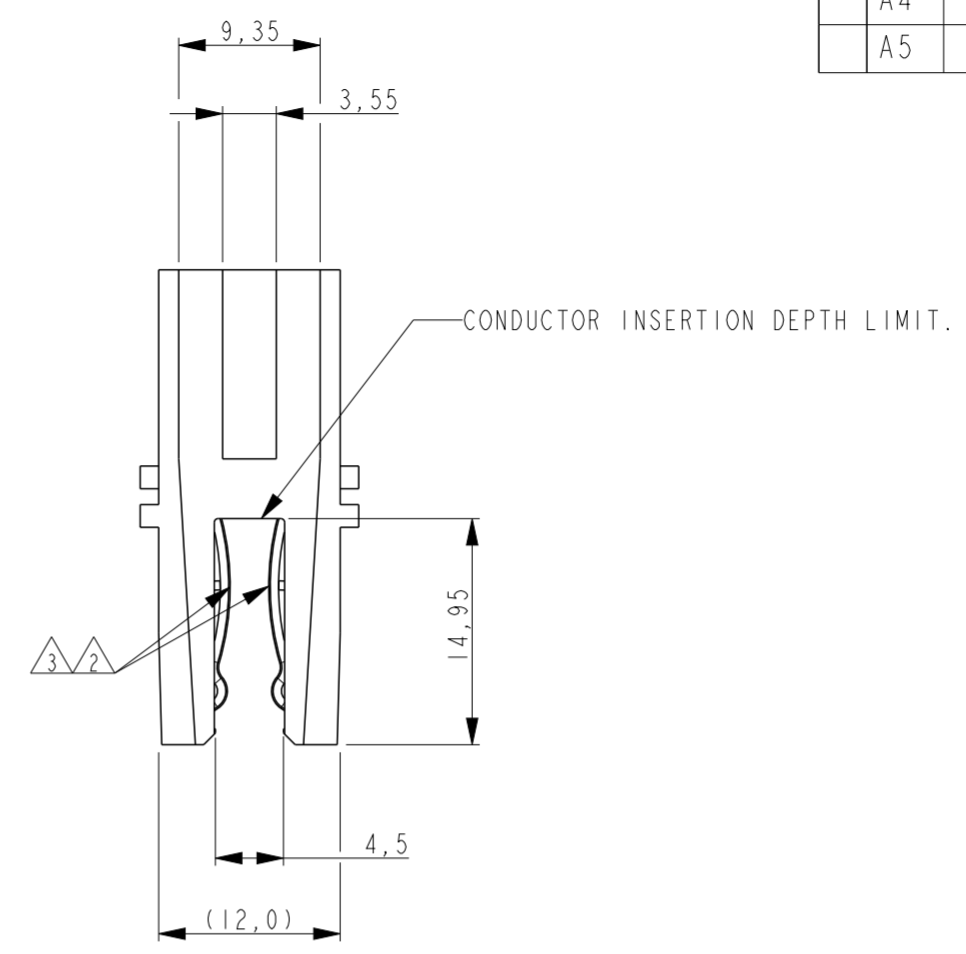
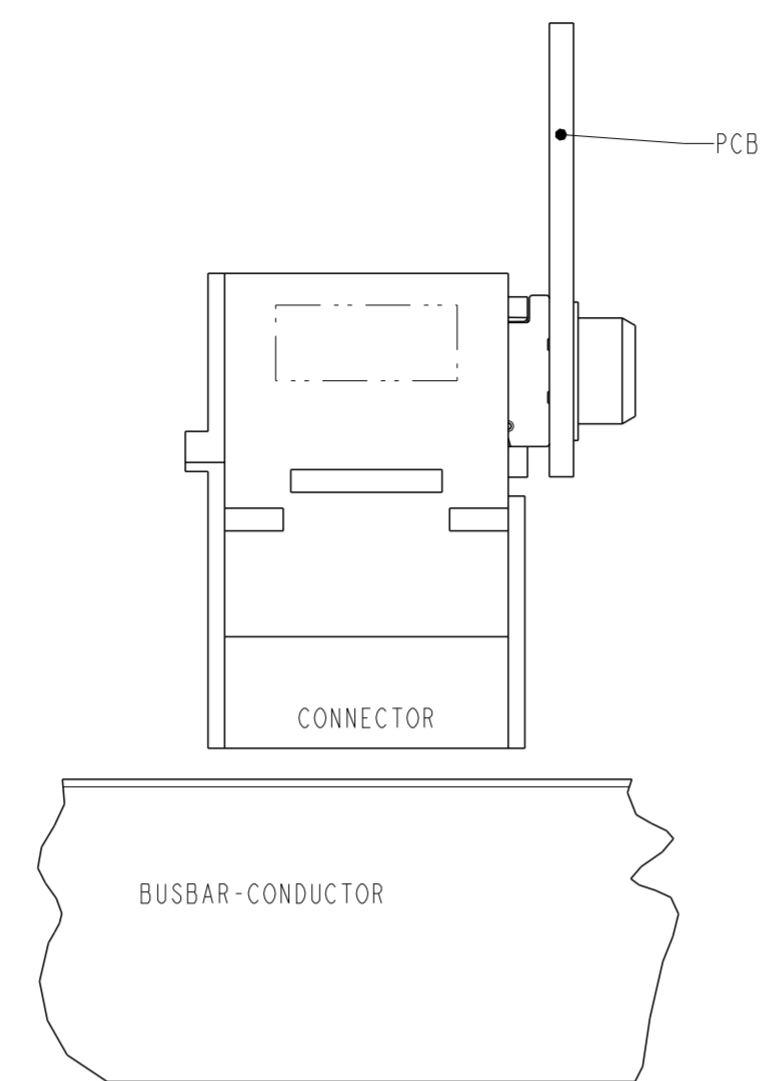
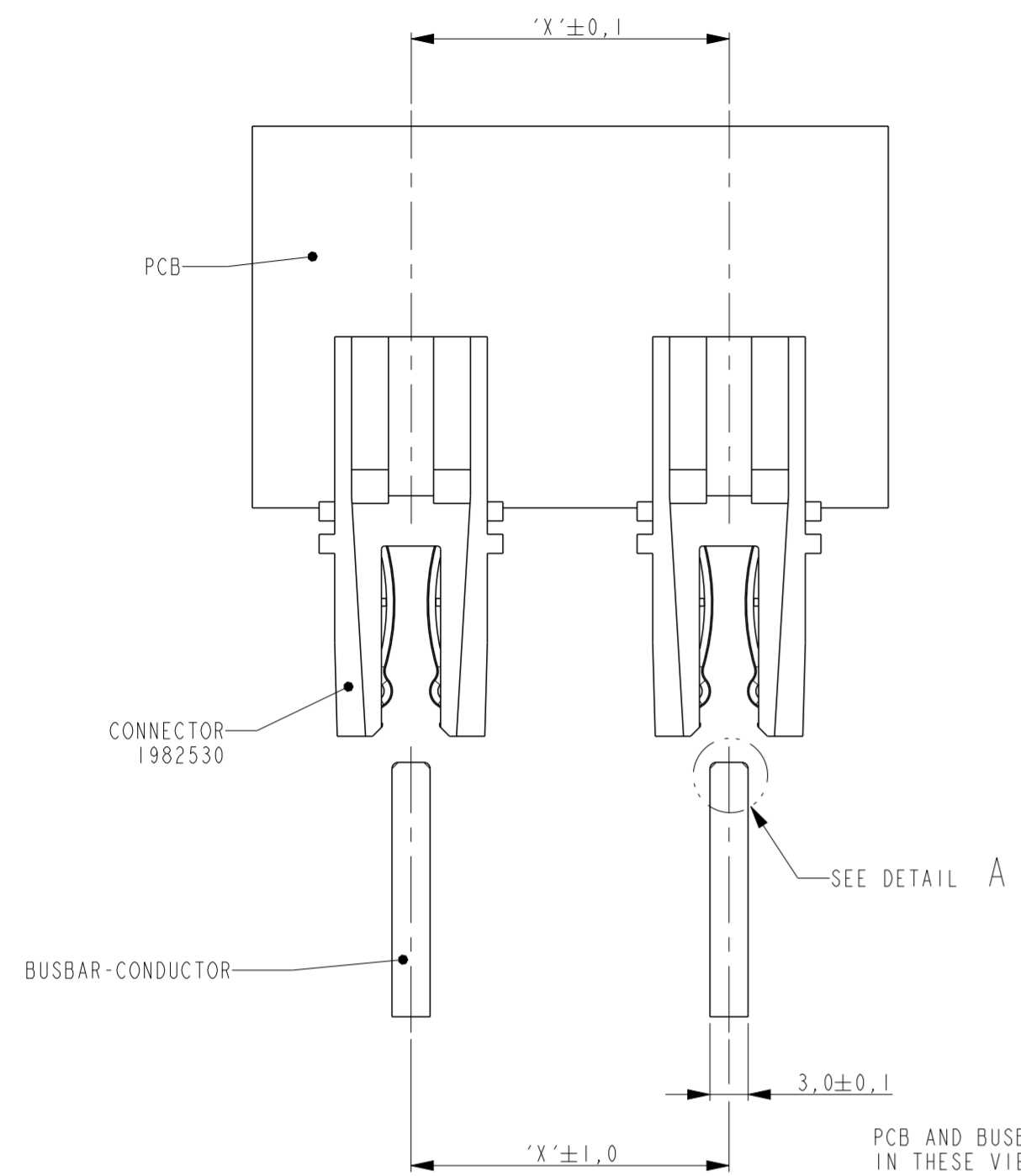
NAME: PLUGGABLE BUSBAR CONNECTOR SOLDER VERSION CROWN CLIP JUNIOR

SIZE: A2 CAGE CODE: 00779 DRAWING NO: C-2178411 RESTRICTED TO: -

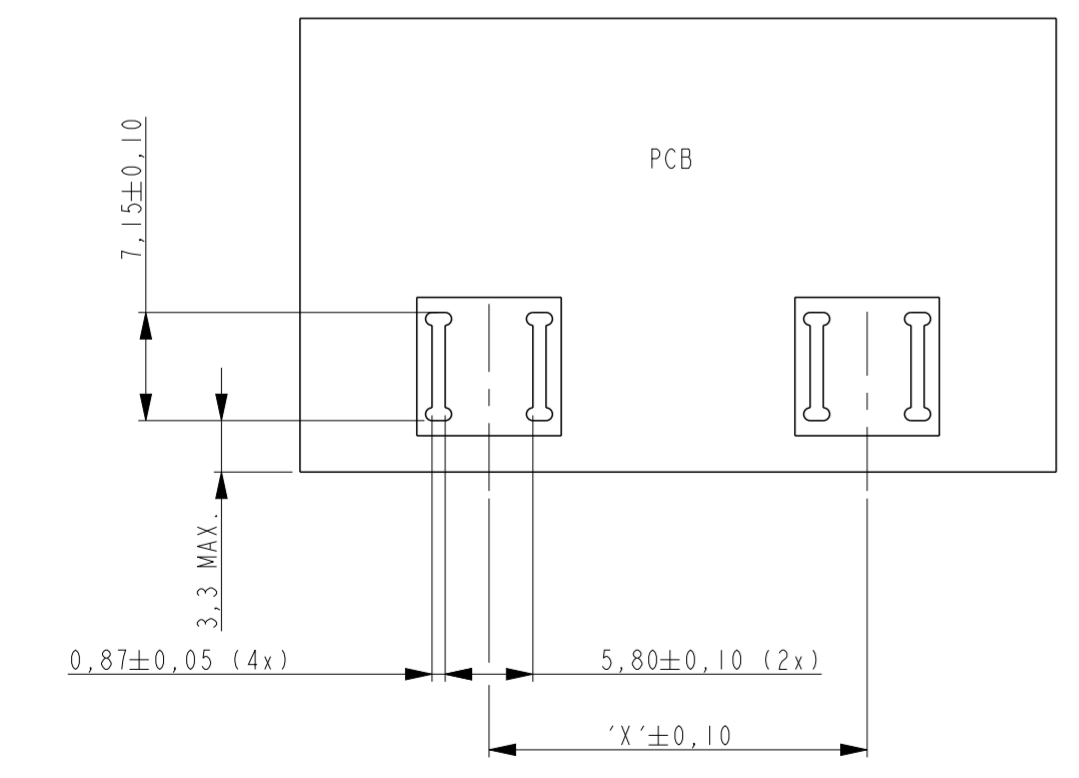
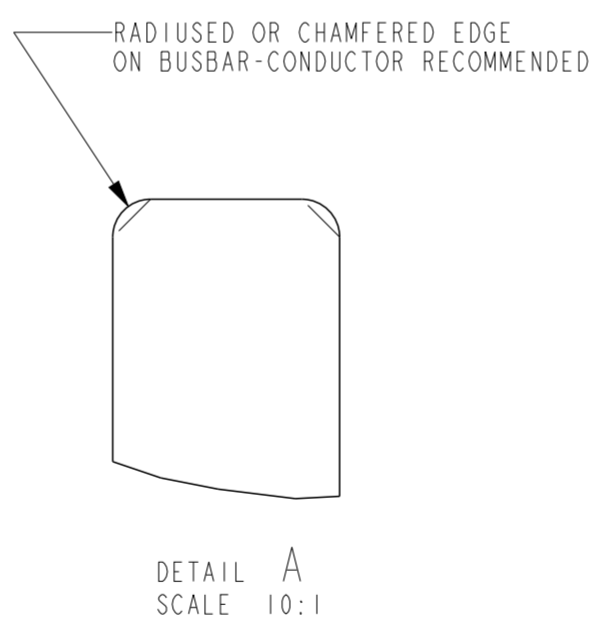
Customer Drawing SCALE: 2:1 SHEET 1 OF 2 REV: A5

THIS DRAWING IS UNPUBLISHED. RELEASED FOR PUBLICATION  
 © COPYRIGHT - BY - ALL RIGHTS RESERVED.

LOC	DIST	REVISIONS					
ES	00	P	LTR	DESCRIPTION	DATE	DWN	APVD
		A1		ECR-12-017404	05OCT2012	SS	RRP
		A2		REV PER ECR-14-007496	20MAY2014	ML	SZ
		A4		REVISED AS PER ECN-24-265214	14MAY2024	DG	WZ
		A5		ECR-24-209903	31MAY2024	DG	WZ

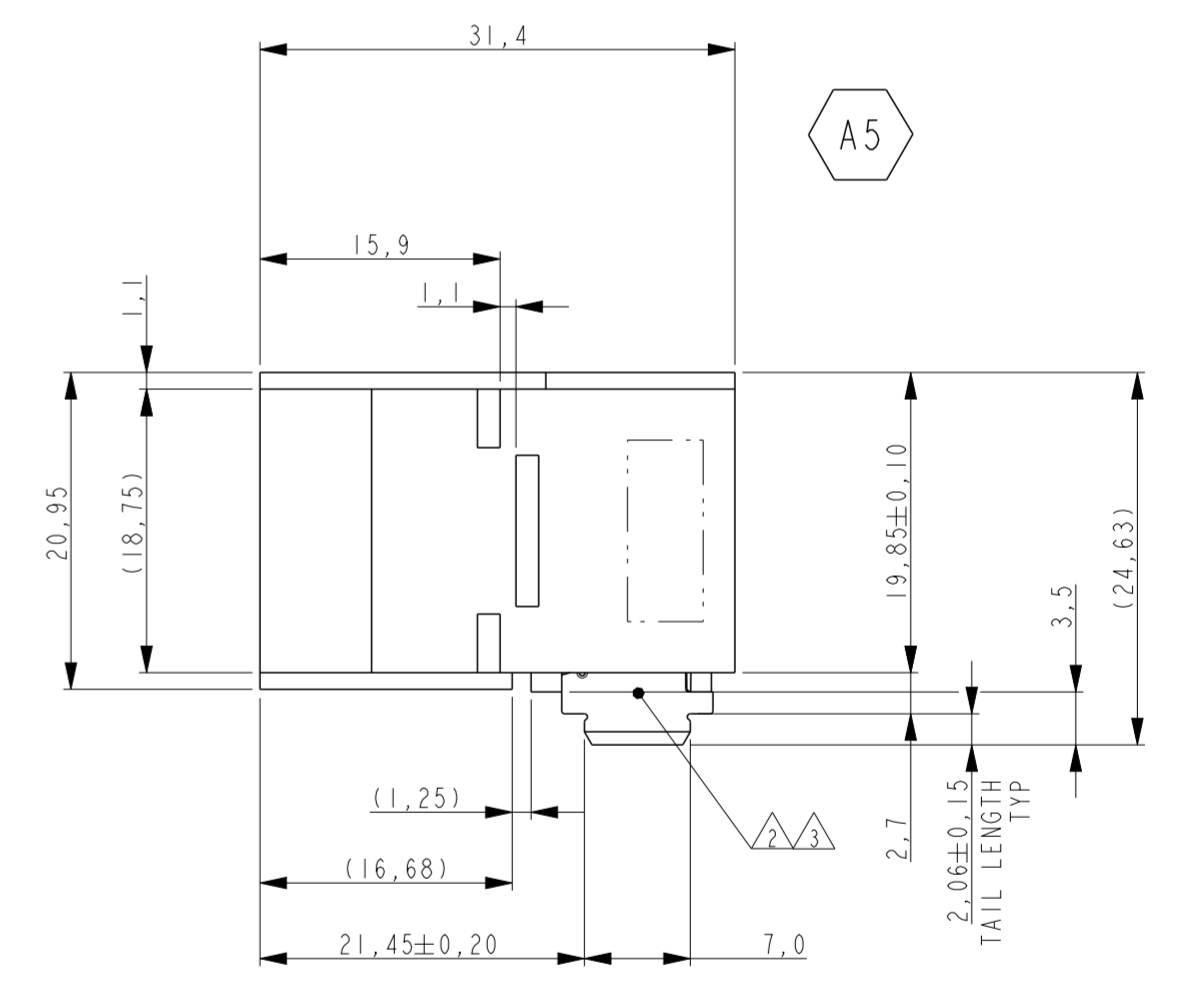
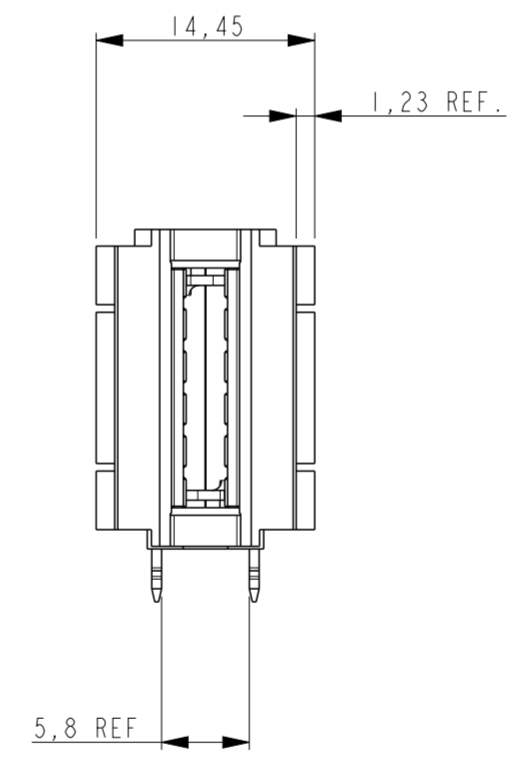


PCB AND BUSBAR-CONDUCTORS, IN THESE VIEWS ARE SHOWN FOR REFERENCE ONLY.



RECOMMENDED PCB LAY-OUT  
THICKNESS: 4,8mm MAX

- NOTES:
- PCB MUST BE SUPPORTED WHILE INSERTING THE CONNECTOR IN THE SLOTS TO AVOID BENDING OF THE BOARD.
  - PLATING: 1,2µm MIN. NICKEL UNDERLAYER ALLOVER.
  - 3,0µm MIN. TIN IN INDICATED AREA'S.
  - AREA FOR DATE-CODE.
  - MATERIAL:  
POWER CONTACT: HIGH CONDUCTIVITY COPPER ALLOY.  
HOUSING: THERMOPLASTIC, BLACK, UL94 V-0.



ITEM NO.	DESCRIPTION	MATERIAL	FINISH	QTY.
4	CONTACT LEFT	COPPER ALLOY	△△	1
3	CONTACT RIGHT	COPPER ALLOY	△△	1
2	CLIP	STAINLESS STEEL	-	1
1	HOUSING	HIGH TEMP THERMO PLASTIC UL 94 V0	BLACK	1

THIS DRAWING IS A CONTROLLED DOCUMENT.

DIMENSIONS: mm	TOLERANCES UNLESS OTHERWISE SPECIFIED:	DWN SUDHAKAR 06SEPT2	TE Connectivity <b>PLUGGABLE BUSBAR CONNECTOR SOLDER VERSION CROWN CLIP JUNIOR</b>
		CHK SUDHAKAR 06SEPT2	
		APVD RAJENDRA 06SEPT2	
		PRODUCT SPEC 108-19360	
MATERIAL		APPLICATION SPEC 114-19128	NAME
		WEIGHT -	SIZE CAGE CODE DRAWING NO RESTRICTED TO
		CUSTOMER DRAWING	A2 00779 C-2178411
		SCALE 2:1	SHEET 2 OF 2
			REV A5