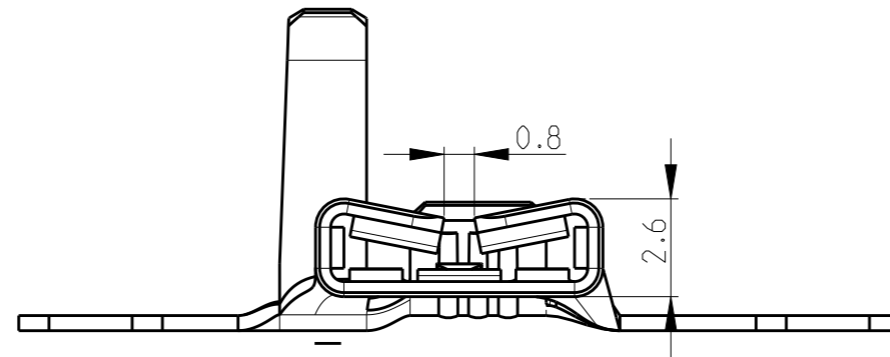
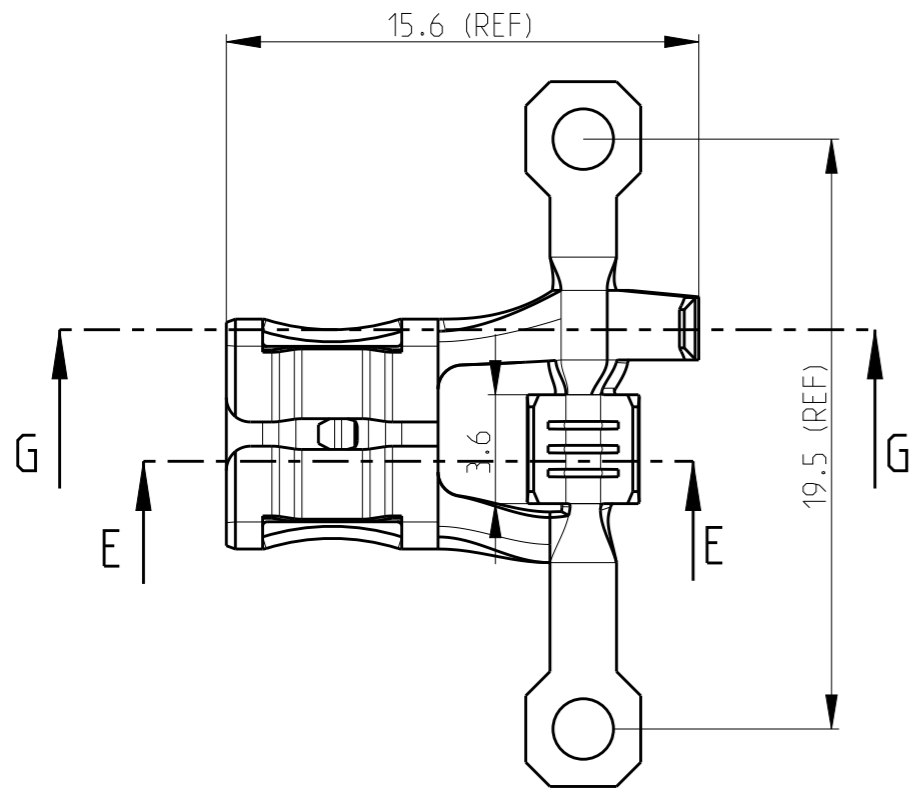
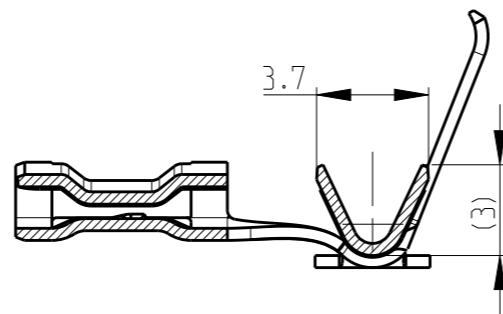
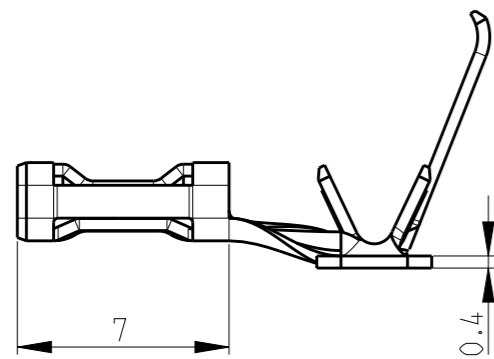


THIS DRAWING IS UNPUBLISHED. RELEASED FOR PUBLICATION 20
 © COPYRIGHT 20 BY TYCO ELECTRONICS CORPORATION ALL RIGHTS RESERVED.

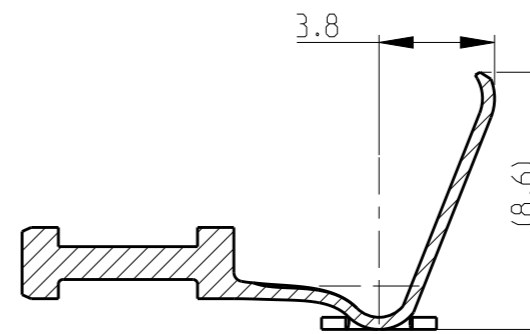
LOC	DIST	REVISIONS			
P	LTR	DESCRIPTION	DATE	DWN	APVD
-	-	A1	RELEASE PER ECR-15-004911	31MAR2015	DL TD
		A2	RELEASE PER ECR-15-013713	21SEP2015	DL TD
		A3	RELEASE PER ECR-16-008480	12JUN2016	HG TD
		B	REVISED PER ECR-16-017586	18NOV2020	BDA DL



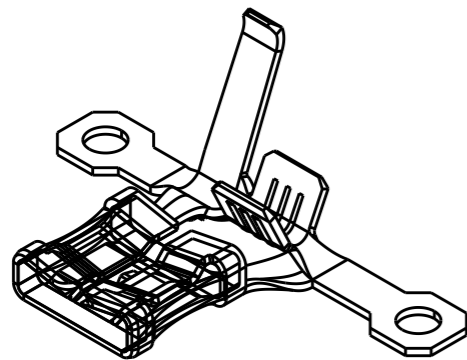
- NOTE:
1. CONTINUOUS STRIP ON REELS
 2. MATING TAB ACCORDING TO UL310 AND IEC61210 NORM. (WIDTH*THICKNESS IS 6.3*0.8 mm)
 3. WIRE SIZE IS #20-#16 AWG(0.5-1.5 sqmm)
 4. INSULATION RANGE IS Ø1.9-3.3mm
 5. CUT-OFF LENGTH 0.5 mm MAX.



SECTION E-E



SECTION G-G



Pre-NICKEL	Steel	2178423-1
FINISH	MATERIAL	PART NO.

THIS DRAWING IS A CONTROLLED DOCUMENT.		DWN VIBHUTHI 29NOV2012	TE Connectivity	
DIMENSIONS: mm		CHK SUBHASH M 29NOV2012		
TOLERANCES UNLESS OTHERWISE SPECIFIED:		APVD SURESH T N 29NOV2012		
0 PLC ±0.5 1 PLC ±0.5 2 PLC ±0.25 3 PLC ± 4 PLC ± ANGLES ±1°		PRODUCT SPEC 108-64027		
MATERIAL SEE TABLE		FINISH SEE TABLE	NAME 6.3 SRS FLAG F-SPRING LIF RECEPTACLE	
		WEIGHT -	SIZE A3	CAGE CODE 00779
		Customer Drawing	DRAWING NO C=2178423	RESTRICTED TO -
			SCALE 4:1	SHEET 1 OF 1
				REV B