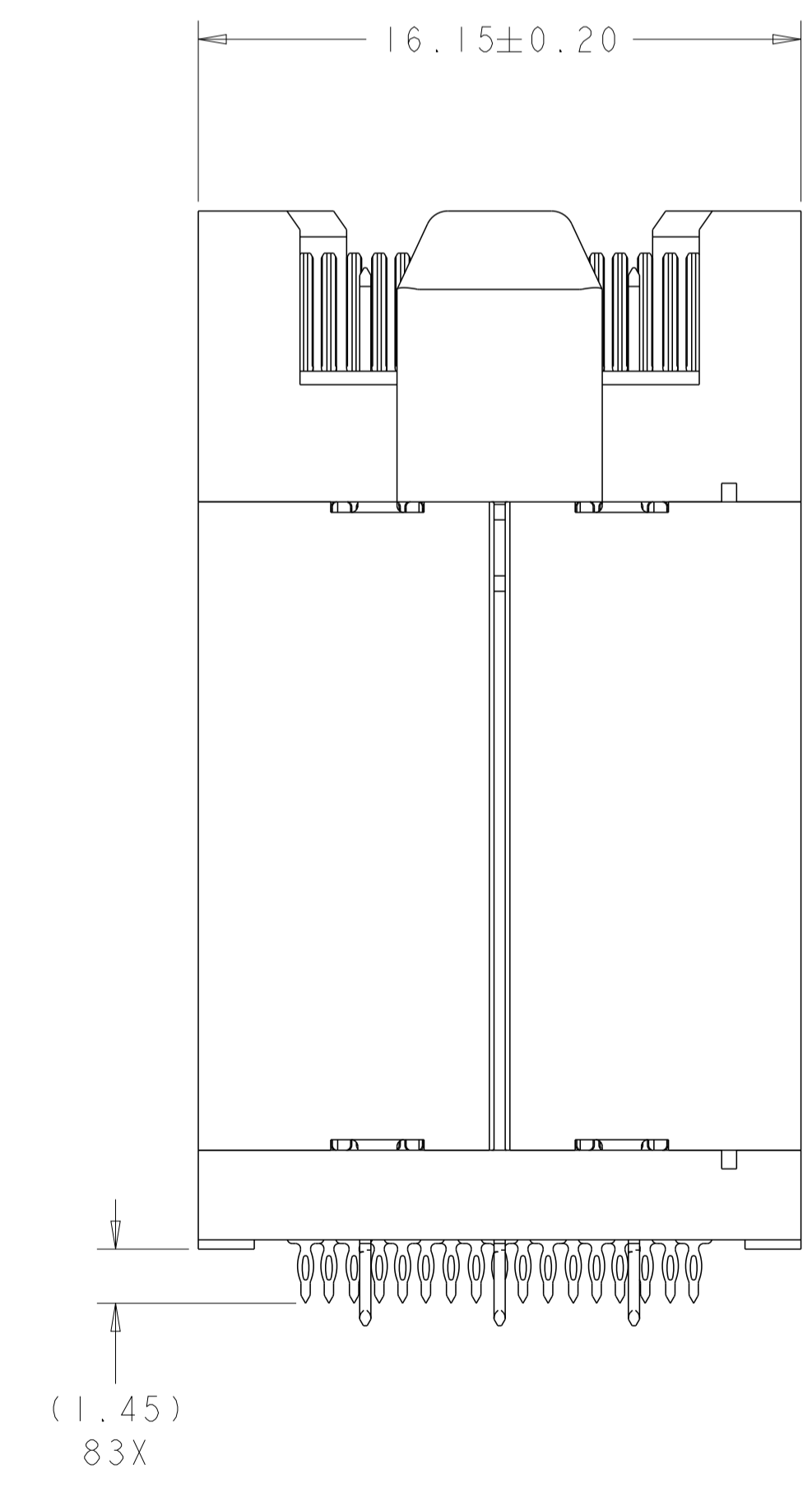
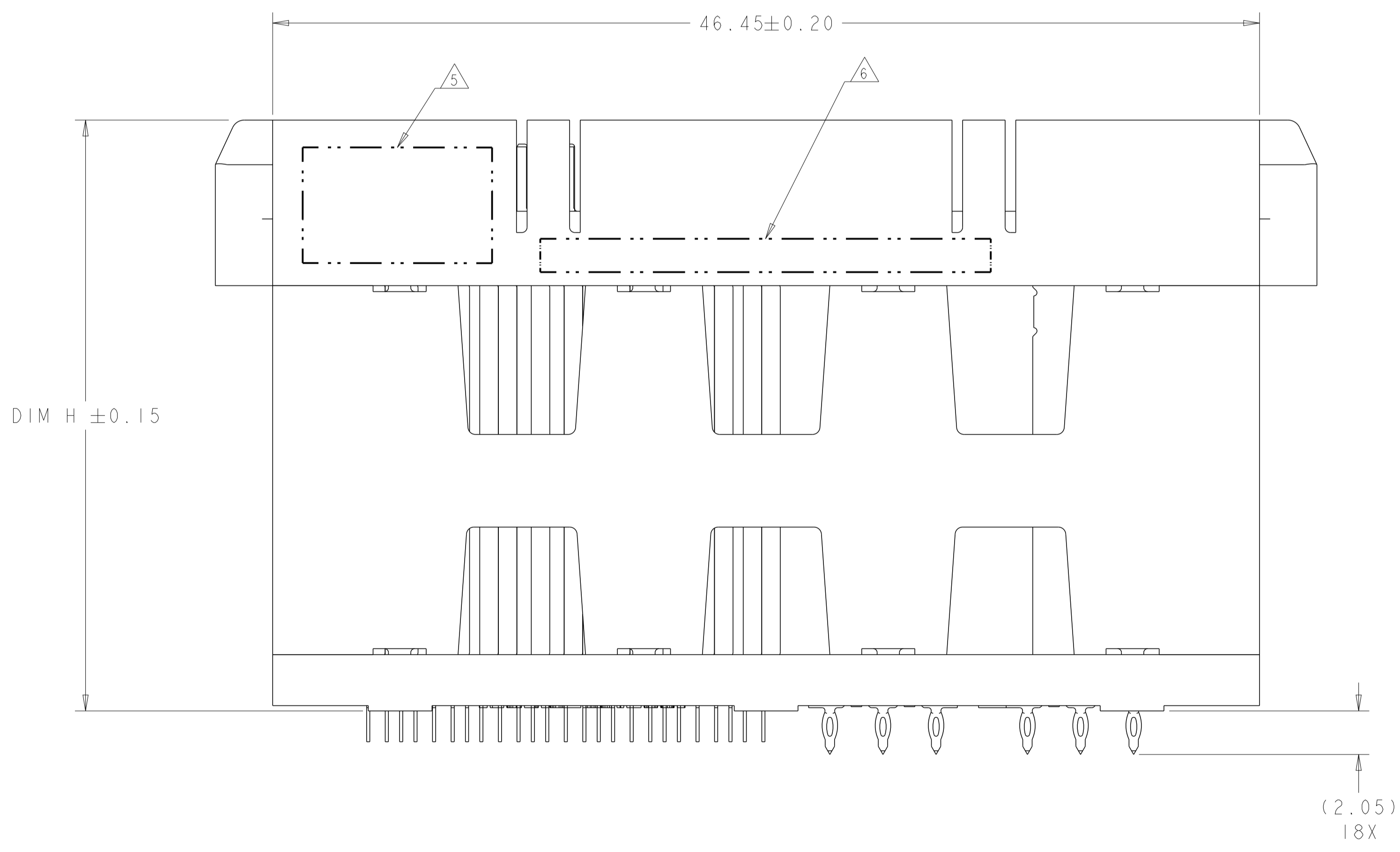
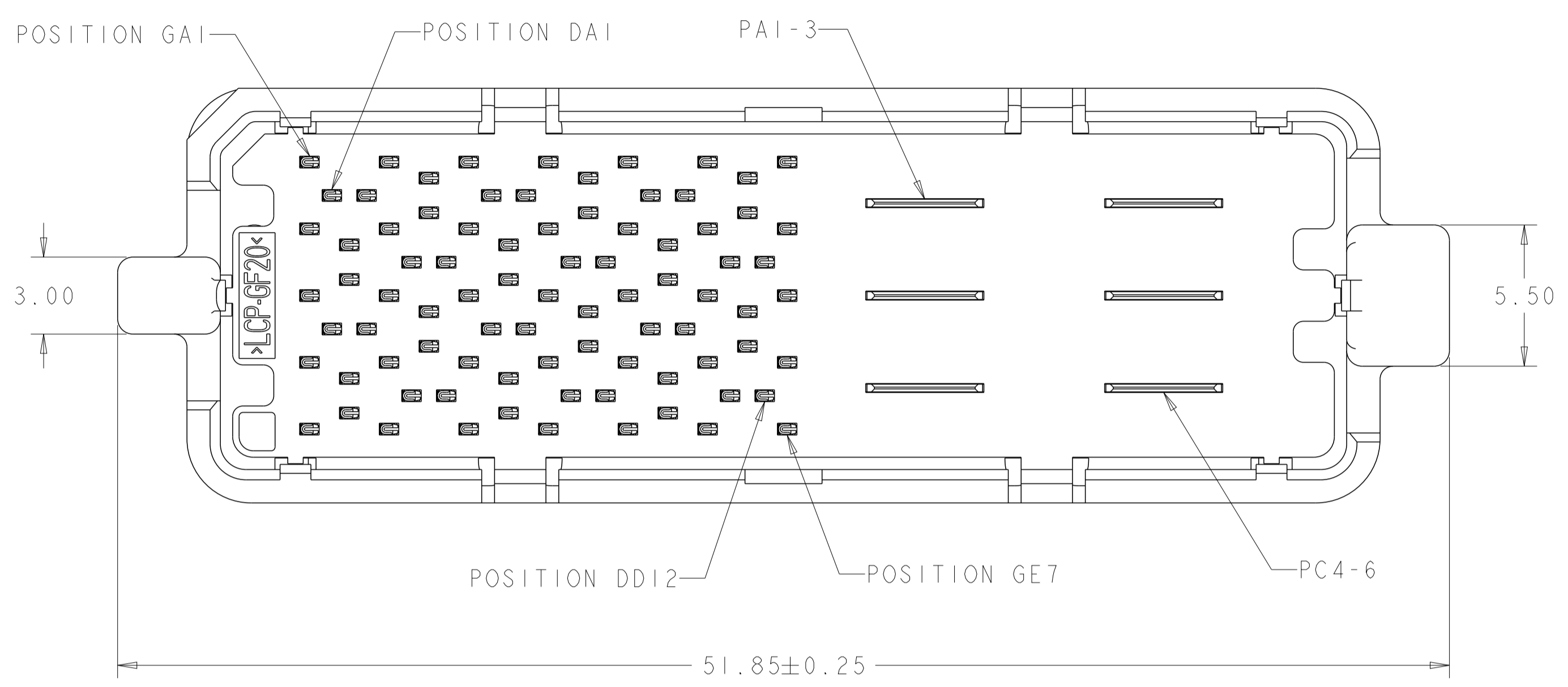


| REVISIONS | | | | |
|-----------|-----|---------------|-----------|-------|
| P | LTN | DESCRIPTION | DATE | APVD |
| B | | ECR-21-122345 | 23NOV2022 | TL HL |
| | | | | |
| | | | | |



- ⚠ MATERIAL:
 BASE HOUSING, UPPER HOUSING, ORGANIZER,
 AND SPACER: THERMOPLASTIC, FLAMMABILITY
 RATING UL94 V-0
 CONTACT: COPPER ALLOY
- 2. CONFORMS TO THE REQUIREMENTS OF TE PRODUCT
 SPECIFICATION, 108-2375; BASED ON TELCORDIA
 GR-1217-CORE FOR SYSTEM QUALITY LEVEL III,
 APPLICATIONS IN CONTROLLED ENVIRONMENTS
 (CENTRAL OFFICE).
 SEE TE PRODUCT SPECIFICATION 108-2375 FOR
 TEST SEQUENCES.
- ⚠ ROWS GA THRU GE (SHOWN DARKENED) ARE TYPICALLY
 USED AS GROUNDS.
- ⚠ SPECIFIED POSITIONAL TOLERANCE DEFINES HOLE TO
 HOLE LOCATION WITHIN HOLE PATTERN. POSITIONAL
 TOLERANCE OF HOLE PATTERN TO FUDICIAL MARKS
 OR PCB DATUMS SHALL BE DEFINED BY CUSTOMER.
- ⚠ AREA RESERVED FOR TE CONNECTIVITY LOGO.
- ⚠ AREA RESERVED FOR PART NUMBER (X-XXXXXX-X) AND
 DATE CODE (YYWW).
- ⚠ USE CENTER LINES INDICATED ON PCB HOLE PATTERN
 TO ESTABLISH ALIGNMENT BETWEEN HEADER AND
 RECEPTACLE BOARDS.
- ⚠ PLATED THROUGH HOLE REQUIREMENTS - SIGNAL:
 HOLE SIZE PRIOR TO PLATING = $\varnothing 0.420 \pm 0.013$
 COPPER PLATING THICKNESS = 0.038 ± 0.013
 CALCULATED FINISHED HOLE SIZE = $\varnothing 0.344 \pm 0.039$
 THESE DIMENSIONS APPLY TO THE TOP 1.25mm OF
 THE PCB THICKNESS FROM THE CONNECTOR MOUNTING
 SIDE.
- ⚠ PLATED THROUGH HOLE REQUIREMENTS - POWER:
 HOLE SIZE PRIOR TO PLATING = $\varnothing 0.700 \pm 0.025$
 COPPER PLATING THICKNESS = 0.038 ± 0.013
 CALCULATED FINISHED HOLE SIZE = $\varnothing 0.624 \pm 0.051$
 THESE DIMENSIONS APPLY TO THE TOP 1.50mm OF
 THE PCB THICKNESS FROM THE CONNECTOR MOUNTING
 SIDE.
- ⚠ CONTACT SALES FOR AVAILABILITY OF THIS STACK
 HEIGHT.
- ⚠ PRELIMINARY PARTS.

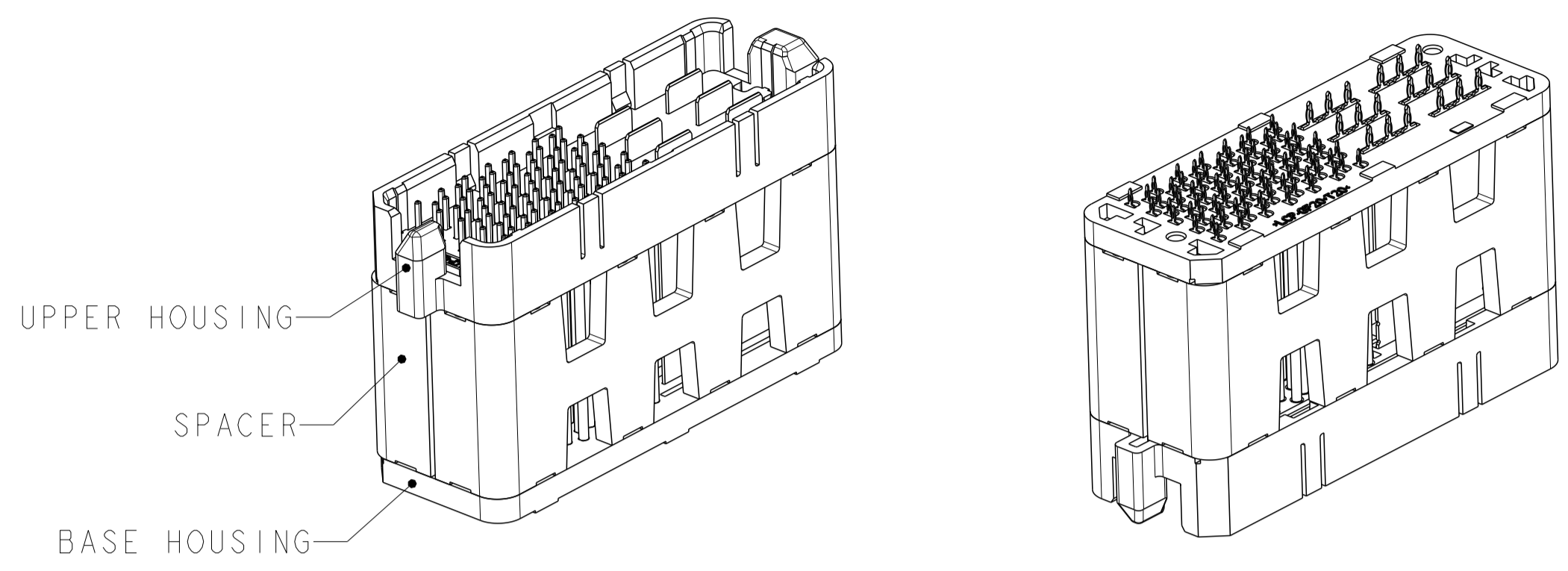
SIZE 2 HALF WIDE W/GUIDE POSTS *
24 DIFFERENTIAL PAIRS + GROUNDS
83 TOTAL SIGNAL CONTACTS
6 POWER CONTACTS

* SIZE 1 AND SIZE 3 ARE ALSO AVAILABLE

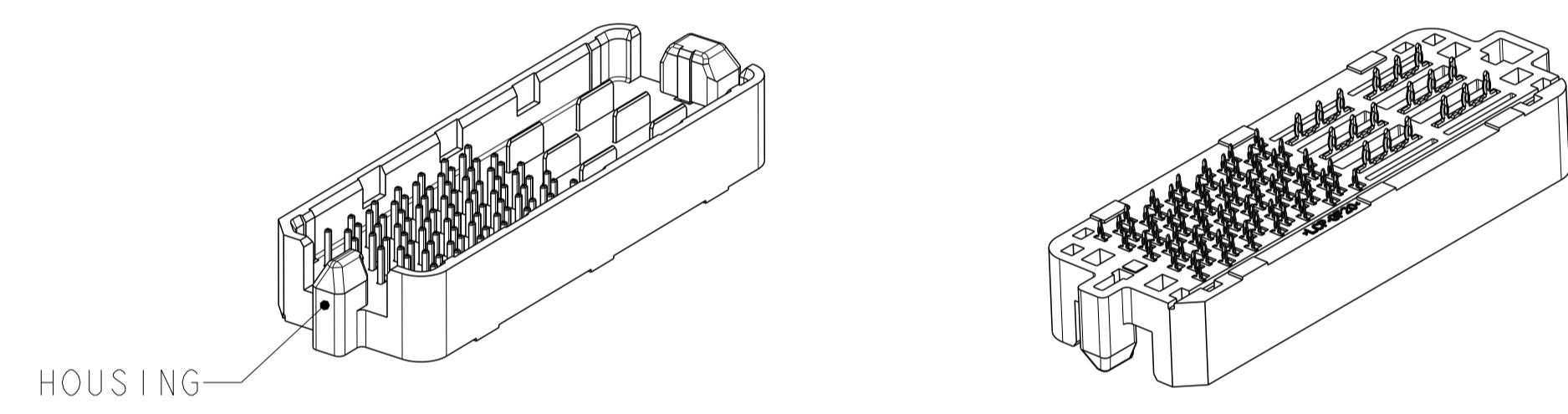
THIS PRODUCT HAS NOT
 COMPLETED VALIDATION AND
 QUALIFICATION TESTING

| | | | |
|--|--|--------------------------|---|
| THIS DRAWING IS A CONTROLLED DOCUMENT. | | OWN HAMNER 03JUN2011 | TE Connectivity |
| DIMENSIONS: mm | | CHK D. TROUT 07JUN2011 | |
| TOLERANCES UNLESS OTHERWISE SPECIFIED: | | APVD J. FEDDER 07JUN2011 | NAME |
| 0 PLC ± | | PRODUCT SPEC | HEADER ASSEMBLY, |
| 1 PLC ±0.13 | | APPLICATION SPEC | HALF-WIDE, 24/83/6P, |
| 3 PLC ±0.013 | | 114-13249 | STRADA MESA MEZZANINE CONNECTOR |
| 4 PLC ± | | WEIGHT | SIZE CAGE CODE DRAWING NO RESTRICTED TO |
| ANGLES ±1 | | Customer Drawing | A1 00779 C=2180760 |
| FINISH | | SCALE 3:1 | SHEET 1 OF 4 REV B |

| REVISIONS | | | | |
|-----------|-----|-------------|------|------|
| P | LTN | DESCRIPTION | DATE | APPV |
| - | - | SEE SHEET 1 | - | - |



ISOMETRIC VIEW
 TYPICAL CONFIGURATION FOR 14mm THRU 42mm
 28mm SHOWN
 SCALE 2:1



ISOMETRIC VIEWS
 TYPICAL CONFIGURATION FOR 8mm THRU 13mm
 8mm SHOWN
 SCALE 2:1

| | | | | | |
|--------|-------|--------------|----------------------|--|-------------|
| | 41.8 | 42mm | MATTE Sn | | 9-2180760-2 |
| | 40.8 | 41mm | MATTE Sn | | 9-2180760-1 |
| | 39.8 | 40mm | MATTE Sn | | 9-2180760-0 |
| | 38.8 | 39mm | MATTE Sn | | 8-2180760-9 |
| | 37.8 | 38mm | MATTE Sn | | 8-2180760-8 |
| YES | 36.8 | 37mm | MATTE Sn | | 8-2180760-7 |
| | 35.8 | 36mm | MATTE Sn | | 8-2180760-6 |
| | 34.8 | 35mm | MATTE Sn | | 8-2180760-5 |
| | 33.8 | 34mm | MATTE Sn | | 8-2180760-4 |
| | 32.8 | 33mm | MATTE Sn | | 8-2180760-3 |
| | 31.8 | 32mm | MATTE Sn | | 8-2180760-2 |
| | 30.8 | 31mm | MATTE Sn | | 8-2180760-1 |
| | 29.8 | 30mm | MATTE Sn | | 8-2180760-0 |
| | 28.8 | 29mm | MATTE Sn | | 7-2180760-9 |
| | 27.8 | 28mm | MATTE Sn | | 7-2180760-8 |
| | 26.8 | 27mm | MATTE Sn | | 7-2180760-7 |
| | 25.8 | 26mm | MATTE Sn | | 7-2180760-6 |
| | 24.8 | 25mm | MATTE Sn | | 7-2180760-5 |
| | 23.8 | 24mm | MATTE Sn | | 7-2180760-4 |
| YES | 22.8 | 23mm | MATTE Sn | | 7-2180760-3 |
| | 21.8 | 22mm | MATTE Sn | | 7-2180760-2 |
| | 20.8 | 21mm | MATTE Sn | | 7-2180760-1 |
| | 19.8 | 20mm | MATTE Sn | | 7-2180760-0 |
| | 18.8 | 19mm | MATTE Sn | | 6-2180760-9 |
| | 17.8 | 18mm | MATTE Sn | | 6-2180760-8 |
| | 16.8 | 17mm | MATTE Sn | | 6-2180760-7 |
| | 15.8 | 16mm | MATTE Sn | | 6-2180760-6 |
| | 14.8 | 15mm | MATTE Sn | | 6-2180760-5 |
| | 13.8 | 14mm | MATTE Sn | | 6-2180760-4 |
| | 12.8 | 13mm | MATTE Sn | | 6-2180760-3 |
| | 11.8 | 12mm | MATTE Sn | | 6-2180760-2 |
| | 10.8 | 11mm | MATTE Sn | | 6-2180760-1 |
| | 9.8 | 10mm | MATTE Sn | | 6-2180760-0 |
| | 8.8 | 9mm | MATTE Sn | | 5-2180760-9 |
| | 7.8 | 8mm | MATTE Sn | | 5-2180760-8 |
| TOOLED | DIM H | STACK HEIGHT | CONTACT TAIL PLATING | | PART NUMBER |

| | | | | | |
|----------|-------|--------------|----------------------|--|-------------|
| | 41.8 | 42mm | Sn/Pb | | 4-2180760-2 |
| | 40.8 | 41mm | Sn/Pb | | 4-2180760-1 |
| | 39.8 | 40mm | Sn/Pb | | 4-2180760-0 |
| | 38.8 | 39mm | Sn/Pb | | 3-2180760-9 |
| | 37.8 | 38mm | Sn/Pb | | 3-2180760-8 |
| OBSOLETE | 36.8 | 37mm | Sn/Pb | | 3-2180760-7 |
| | 35.8 | 36mm | Sn/Pb | | 3-2180760-6 |
| | 34.8 | 35mm | Sn/Pb | | 3-2180760-5 |
| | 33.8 | 34mm | Sn/Pb | | 3-2180760-4 |
| | 32.8 | 33mm | Sn/Pb | | 3-2180760-3 |
| | 31.8 | 32mm | Sn/Pb | | 3-2180760-2 |
| | 30.8 | 31mm | Sn/Pb | | 3-2180760-1 |
| | 29.8 | 30mm | Sn/Pb | | 3-2180760-0 |
| | 28.8 | 29mm | Sn/Pb | | 2-2180760-9 |
| | 27.8 | 28mm | Sn/Pb | | 2-2180760-8 |
| | 26.8 | 27mm | Sn/Pb | | 2-2180760-7 |
| | 25.8 | 26mm | Sn/Pb | | 2-2180760-6 |
| | 24.8 | 25mm | Sn/Pb | | 2-2180760-5 |
| | 23.8 | 24mm | Sn/Pb | | 2-2180760-4 |
| OBSOLETE | 22.8 | 23mm | Sn/Pb | | 2-2180760-3 |
| | 21.8 | 22mm | Sn/Pb | | 2-2180760-2 |
| | 20.8 | 21mm | Sn/Pb | | 2-2180760-1 |
| | 19.8 | 20mm | Sn/Pb | | 2-2180760-0 |
| | 18.8 | 19mm | Sn/Pb | | 1-2180760-9 |
| | 17.8 | 18mm | Sn/Pb | | 1-2180760-8 |
| | 16.8 | 17mm | Sn/Pb | | 1-2180760-7 |
| | 15.8 | 16mm | Sn/Pb | | 1-2180760-6 |
| | 14.8 | 15mm | Sn/Pb | | 1-2180760-5 |
| | 13.8 | 14mm | Sn/Pb | | 1-2180760-4 |
| | 12.8 | 13mm | Sn/Pb | | 1-2180760-3 |
| | 11.8 | 12mm | Sn/Pb | | 1-2180760-2 |
| | 10.8 | 11mm | Sn/Pb | | 1-2180760-1 |
| | 9.8 | 10mm | Sn/Pb | | 1-2180760-0 |
| | 8.8 | 9mm | Sn/Pb | | 2180760-9 |
| | 7.8 | 8mm | Sn/Pb | | 2180760-8 |
| TOOLED | DIM H | STACK HEIGHT | CONTACT TAIL PLATING | | PART NUMBER |

THIS DRAWING IS A CONTROLLED DOCUMENT. DWG: HAMNER 03JUN2011
 CHK: D. TROUT 07JUN2011
 APPV: J. FEDDER 07JUN2011

STE TE Connectivity

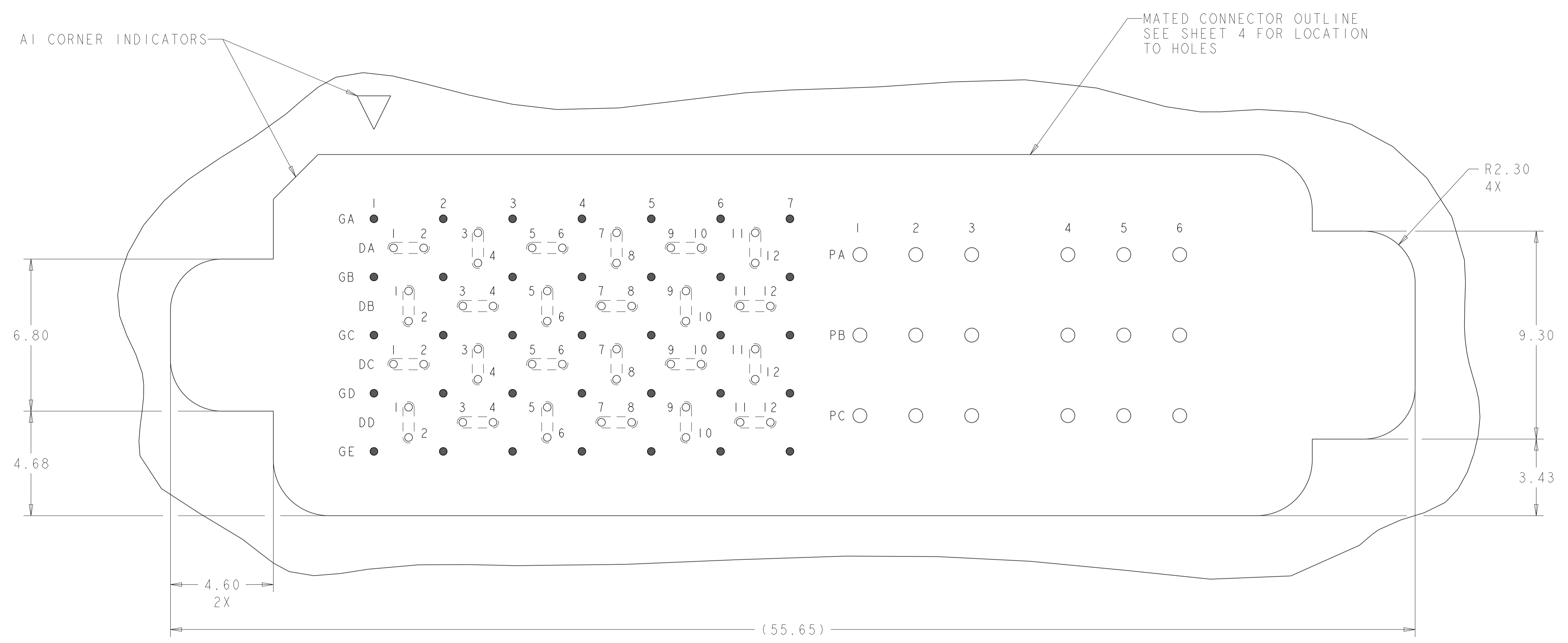
NAME: HEADER ASSEMBLY, HALF-WIDE, 24/83/6P, STRADA MESA MEZZANINE CONNECTOR

PRODUCT SPEC: 108-2375
 APPLICATION SPEC: 114-13249


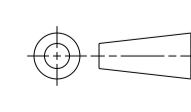
SIZE: A1 CAGE CODE: 2180760 DRAWING NO: 100779
 RESTRICTED TO: -

MATERIAL: - FINISH: - WEIGHT: -
 Customer Drawing SCALE: 6:1 SHEET: 2 OF 4 REV: B

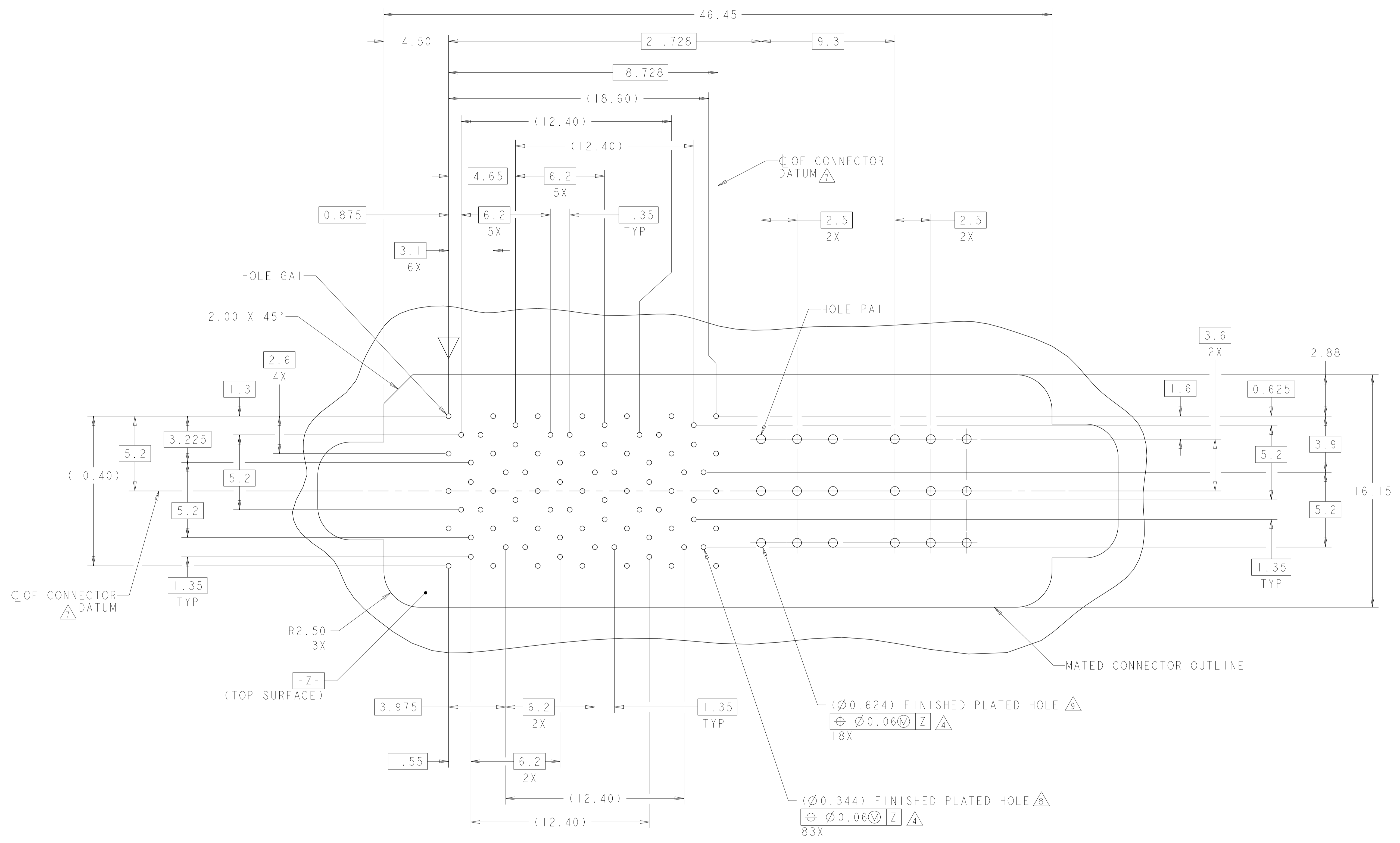
| REVISIONS | | | | |
|-----------|------|-------------|------|-------|
| P. | LTN. | DESCRIPTION | DATE | APPD. |
| - | - | SEE SHEET 1 | - | - |
| | | | | |
| | | | | |



PCB LAYOUT AND PIN IDENTIFICATION 
 SHOWN FROM CONNECTOR SIDE
 SCALE 9:1

| | | | |
|---|-----------|---|---|
| THIS DRAWING IS A CONTROLLED DOCUMENT. | | OWN: HAMNER 03JUN2011 |  TE Connectivity |
| DIMENSIONS: mm | | CHK: D. TROUT 07JUN2011 | |
| TOLERANCES UNLESS OTHERWISE SPECIFIED: 0 PLC ±. 1 PLC ±.13 2 PLC ±.013 3 PLC ±.013 4 PLC ±. ANGLES ±1 | | APPD: J. FEDDER 07JUN2011 | |
|  | | NAME: HEADER ASSEMBLY, HALF-WIDE, 24/83/6P, STRADA MESA MEZZANINE CONNECTOR | |
| MATERIAL: - | FINISH: - | PRODUCT SPEC: 108-2375 | SIZE: A1 |
| Customer Drawing | | APPLICATION SPEC: 114-13249 | CAGE CODE: C=2180760 |
| WEIGHT: - | | RESTRICTED TO: - | SCALE: 6:1 |
| | | | SHEET 3 OF 4 |
| | | | REV B |

| REVISIONS | | | | |
|-----------|------|-------------|------|-------|
| P. | LTN. | DESCRIPTION | DATE | APVD. |
| - | - | SEE SHEET 1 | - | - |
| | | | | |
| | | | | |



PCB HOLE PATTERN
 SHOWN FROM CONNECTOR SIDE
 SCALE 7:1

| | | | |
|--|--|--------------------------|---|
| THIS DRAWING IS A CONTROLLED DOCUMENT. | | DWN HAMNER 03JUN2011 | TE Connectivity |
| DIMENSIONS: mm | | CHK D. TROUT 07JUN2011 | |
| TOLERANCES UNLESS OTHERWISE SPECIFIED: | | APVD J. FEDDER 07JUN2011 | NAME |
| 0 PLC ± 1 PLC ±0.13 2 PLC ±0.13 3 PLC ±0.13 4 PLC ± ANGLES ±1 | | PRODUCT SPEC | HEADER ASSEMBLY, HALF-WIDE, 24/83/6P, STRADA MESA MEZZANINE CONNECTOR |
| MATERIAL | | APPLICATION SPEC | SIZE |
| | | 114-13249 | CAGE CODE |
| | | WEIGHT | DRAWING NO |
| | | Customer Drawing | A100779C=2180760 |
| | | SCALE | RESTRICTED TO |
| | | 6:1 | REV B |
| | | SHEET 4 OF 4 | |