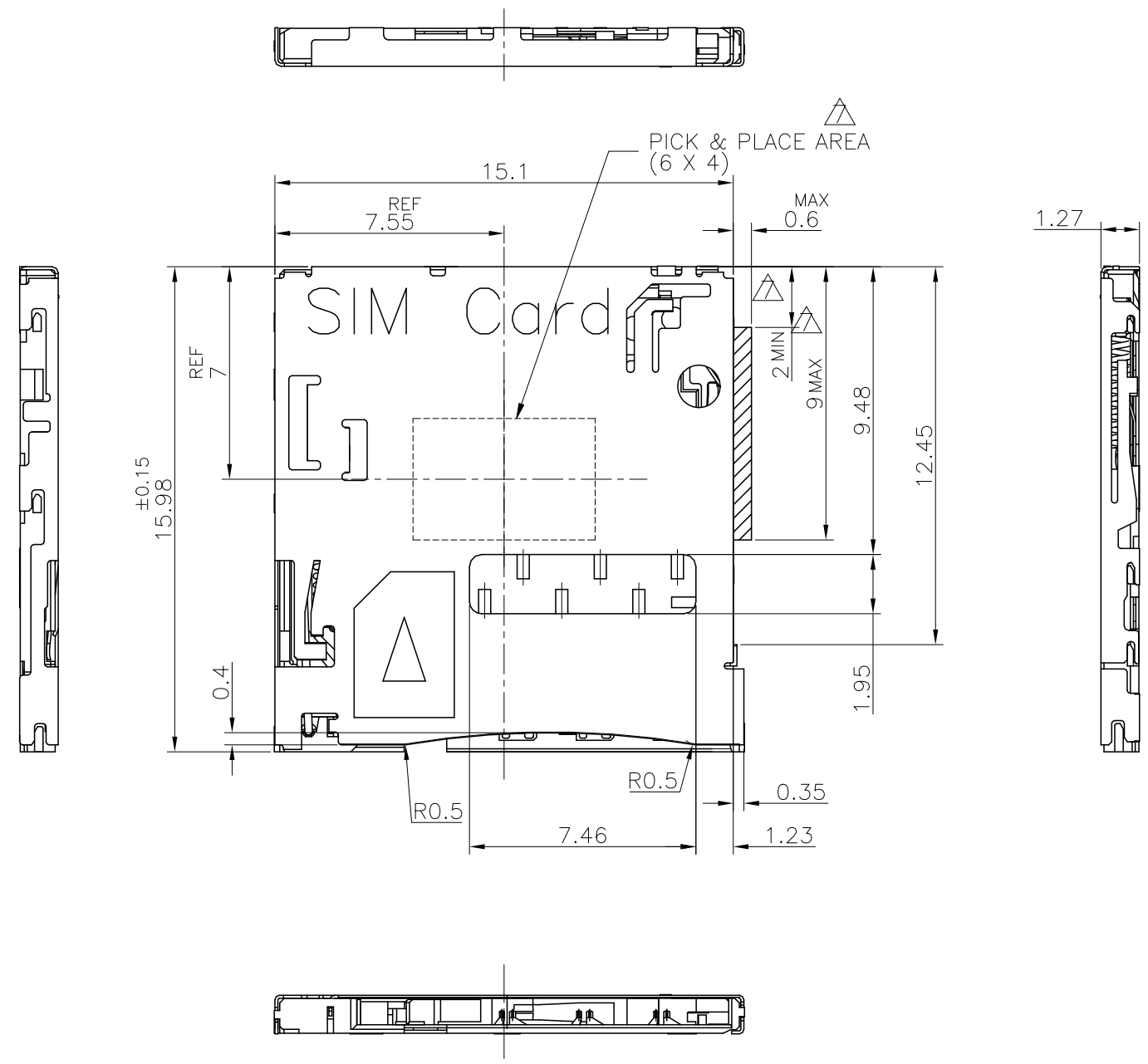


REVISIONS				
P	LTR	DESCRIPTION	DATE	APVD
	B2	REVISED	09DEC2022	M.T H.T



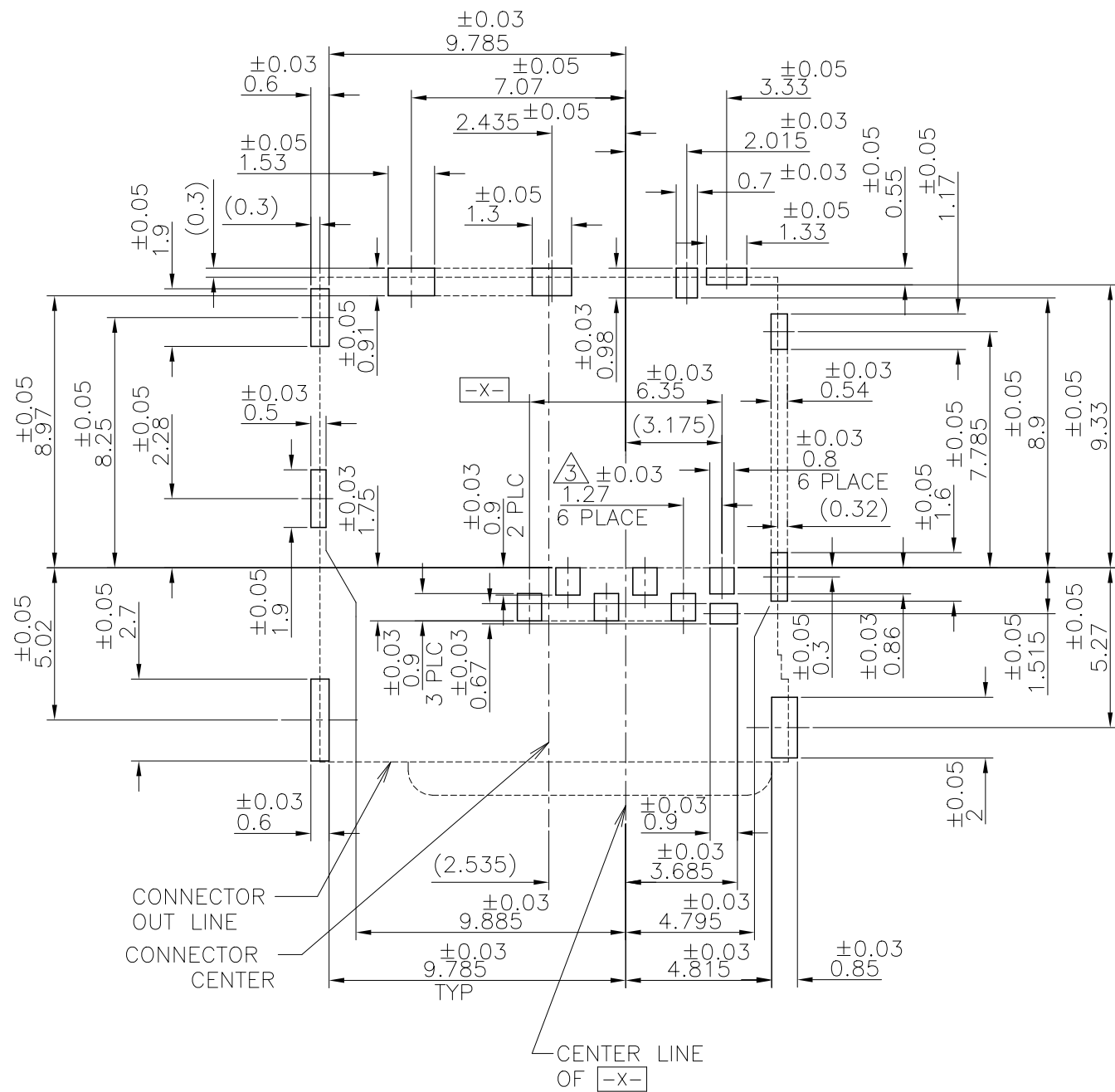
- 1. MATERIAL HOUSING,SLIDER : THERMOPLASTIC RESIN
UL94V-0, COLOR;BLACK
CONTACT : COPPER ALLOY
SHELL : STAINLESS STEEL
COIL : SWP
CAM ROD : STAINLESS STEEL
- △ FINISH CONTACT : Au PL AT CONTACT AREA
Au PL AT SOLDERING AREA
SHELL : Au PL AT SOLDERING AND SWITCH AREA
- △ NON-CUMULATIVE TOLERANCE
- 4. COPLANARITY IS 0.1MAX.
- △ CIRCUIT DRAWING OF SWITCH.
- 6. OVERALL TOLERANCE:±0.1
- △ SWITCH MOVING AREA.

△	2229333-2
FINISH	PART NUMBER

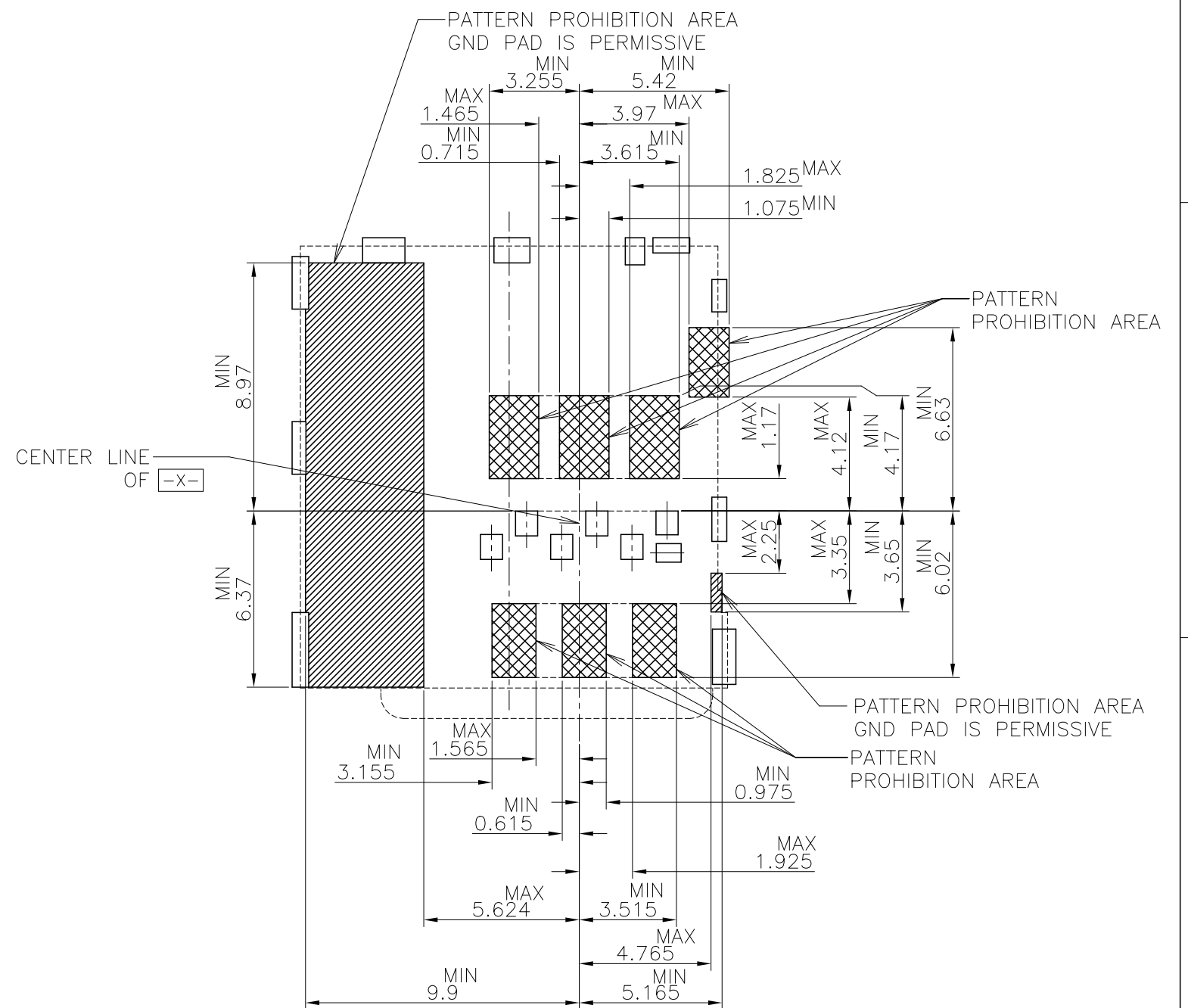
THIS DRAWING IS A CONTROLLED DOCUMENT.		DWN J.TSUJI 12JUL2013	TE Connectivity Ltd.															
DIMENSIONS: mm		CHK K.KOBAYASHI 12JUL2013																
TOLERANCES UNLESS OTHERWISE SPECIFIED:		APVD K.KOBAYASHI 12JUL2013	NAME MICRO SIM CONNECTOR PUSH-PUSH SMT TYPE															
<table border="1"> <tr><td>0 PLC</td><td>± -</td></tr> <tr><td>1 PLC</td><td>± -</td></tr> <tr><td>2 PLC</td><td>± -</td></tr> <tr><td>3 PLC</td><td>± -</td></tr> <tr><td>4 PLC</td><td>± -</td></tr> <tr><td>ANGLES</td><td>± -</td></tr> </table>		0 PLC	± -	1 PLC	± -	2 PLC	± -	3 PLC	± -	4 PLC	± -	ANGLES	± -	PRODUCT SPEC 108-78956	SIZE A3	CAGE CODE 00779	DRAWING NO C=2229333	RESTRICTED TO -
0 PLC	± -																	
1 PLC	± -																	
2 PLC	± -																	
3 PLC	± -																	
4 PLC	± -																	
ANGLES	± -																	
MATERIAL		FINISH	WEIGHT -	CUSTOMER DRAWING		SCALE 5:1												
			SHEET 1 of 6		REV B2													

REVISIONS

P	LTR	DESCRIPTION	DATE	DWN	APVD
-	-	SEE SHEET 1	-	-	-



PCB LAYOUT(REFERENCE)
(VIEWED FROM CONNECTOR MOUNT SIDE)



THIS DRAWING IS A CONTROLLED DOCUMENT.		DWN	-		
DIMENSIONS: mm		CHK	-		
TOLERANCES UNLESS OTHERWISE SPECIFIED:		APVD	-		
0 PLC ± -		PRODUCT SPEC	-		
1 PLC ± -		APPLICATION SPEC	-		
2 PLC ± -		WEIGHT	-		
3 PLC ± -		NAME			
4 PLC ± -		TE Connectivity Ltd.			
ANGLES ± -		MICRO SIM CONNECTOR PUSH-PUSH SMT TYPE			
FINISH ± -		SIZE	CAGE CODE	DRAWING NO	RESTRICTED TO
		A3	00779	C=2229333	-
		CUSTOMER DRAWING		SCALE 5:1	SHEET 2 of 6
				REV B2	

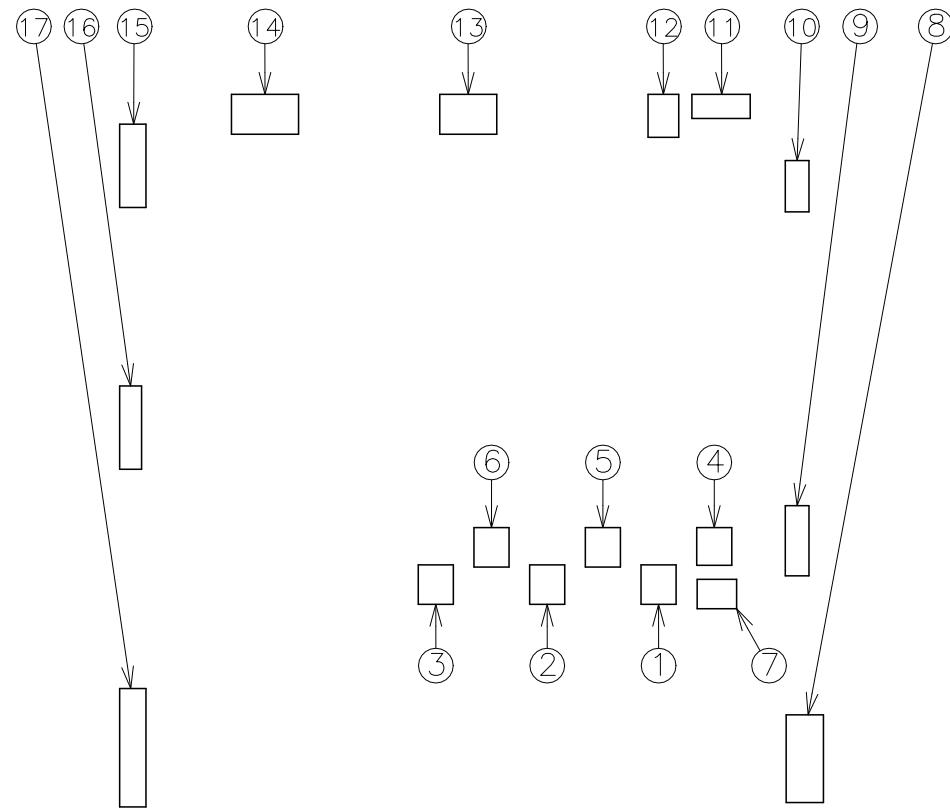
P	LTR	DESCRIPTION	DATE	DWN	APVD
-	-	SEE SHEET 1	-	-	-

Connector Pin Assignment

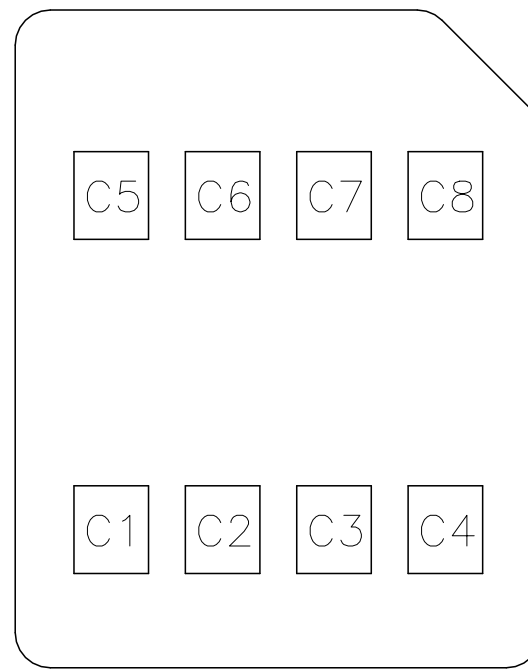
No.	Pin Name	Description
①	C1	Vcc of SIM
②	C2	RST of SIM
③	C3	CLK of SIM
④	C5	GND of SIM
⑤	C6	Vpp of SIM
⑥	C7	I/O of SIM
⑦	SW	Detection Switch
⑧~⑰	GND	Shell Ground

SIM Card Pin Assignment

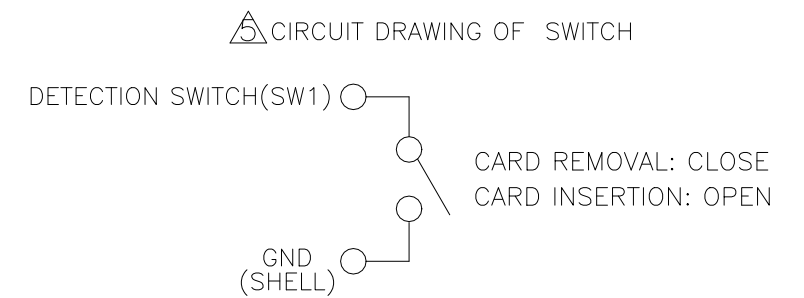
Pin No.	Name
C1	Vcc
C2	RST
C3	CLK
C4	Reserved
C5	GND
C6	Vpp
C7	I/O
C8	Reserved



PCB LAYOUT(REFERENCE)
(VIEWED FROM CONNECTOR MOUNT SIDE)



SIM CARD PAD LAYOUT



THIS DIAGRAM SHOWS CARD INSERTION (OPEN) CONDITION

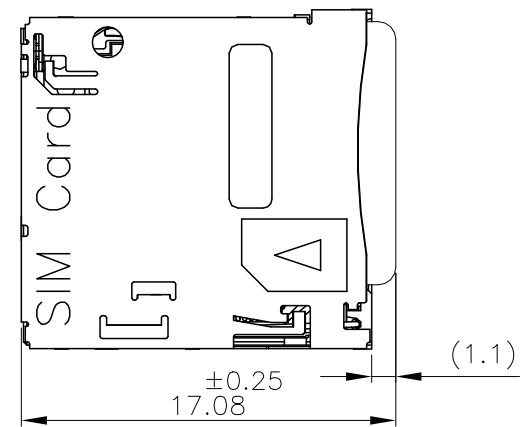
THIS DRAWING IS A CONTROLLED DOCUMENT.		DWN	-		
DIMENSIONS: mm		CHK	-		
TOLERANCES UNLESS OTHERWISE SPECIFIED:		APVD	-		
0 PLC ± -		PRODUCT SPEC	-		
1 PLC ± -		APPLICATION SPEC	-		
2 PLC ± -		WEIGHT	-		
3 PLC ± -		CUSTOMER DRAWING	-		
4 PLC ± -		SCALE	NTS		
ANGLES ± -		SHEET	3 of 6		
FINISH		REV	B2		
MATERIAL		SIZE	A3		
		CAGE CODE	00779		
		DRAWING NO	C=2229333		
		RESTRICTED TO	-		



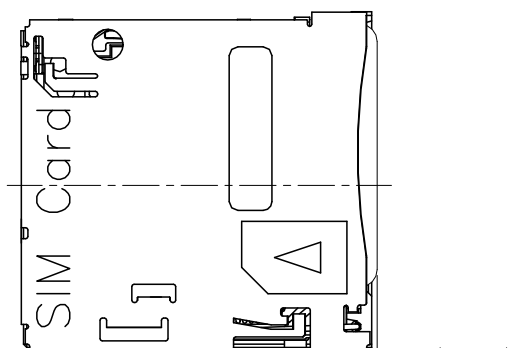
MICRO SIM CONNECTOR
PUSH-PUSH SMT TYPE

REVISIONS					
P	LTR	DESCRIPTION	DATE	DWN	APVD
	-	SEE SHEET 1	-	-	-

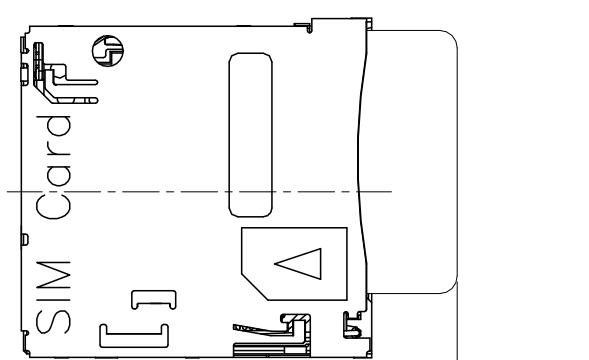
THERE IS NO MICRO SIM CARD LOCK IN THIS CONNECTOR. CARD STOPPER AS SHOWN BELOW MUST BE NECESSARY.



MATING

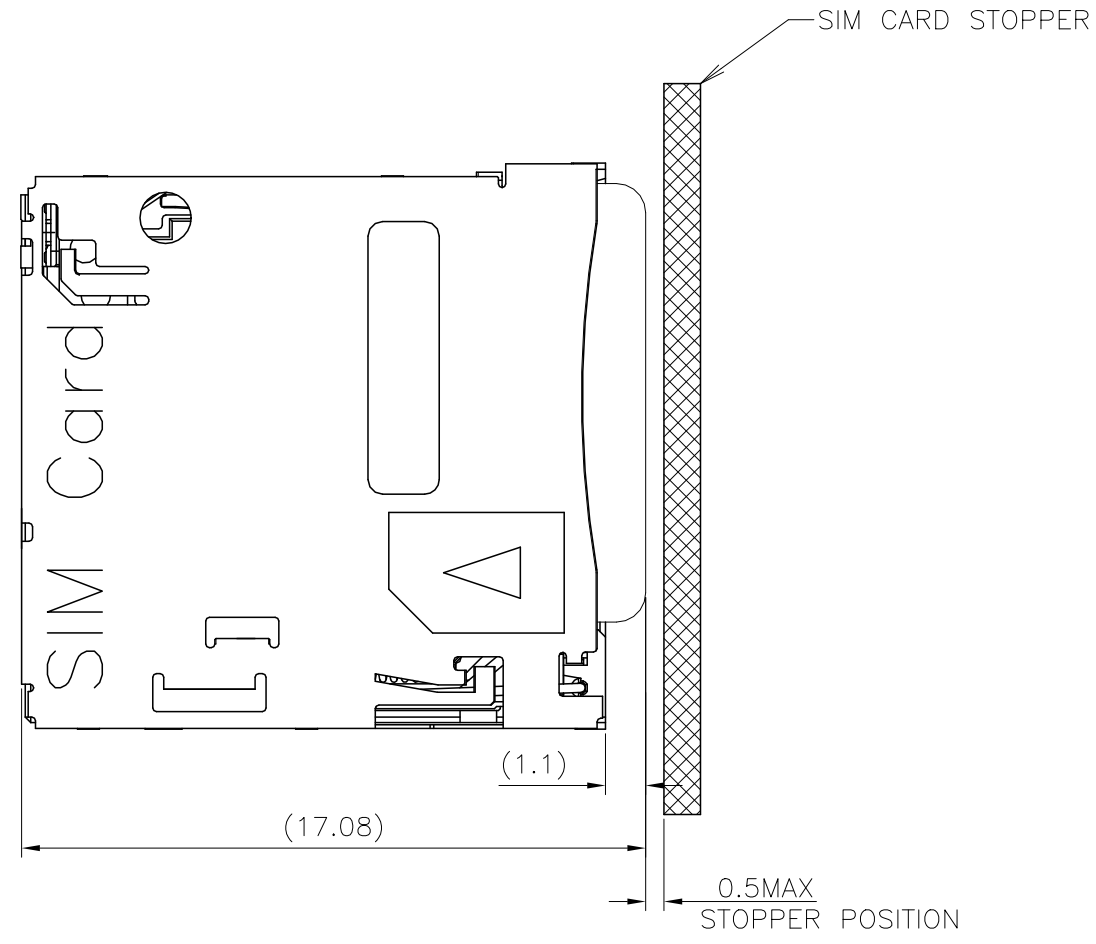


PUSH



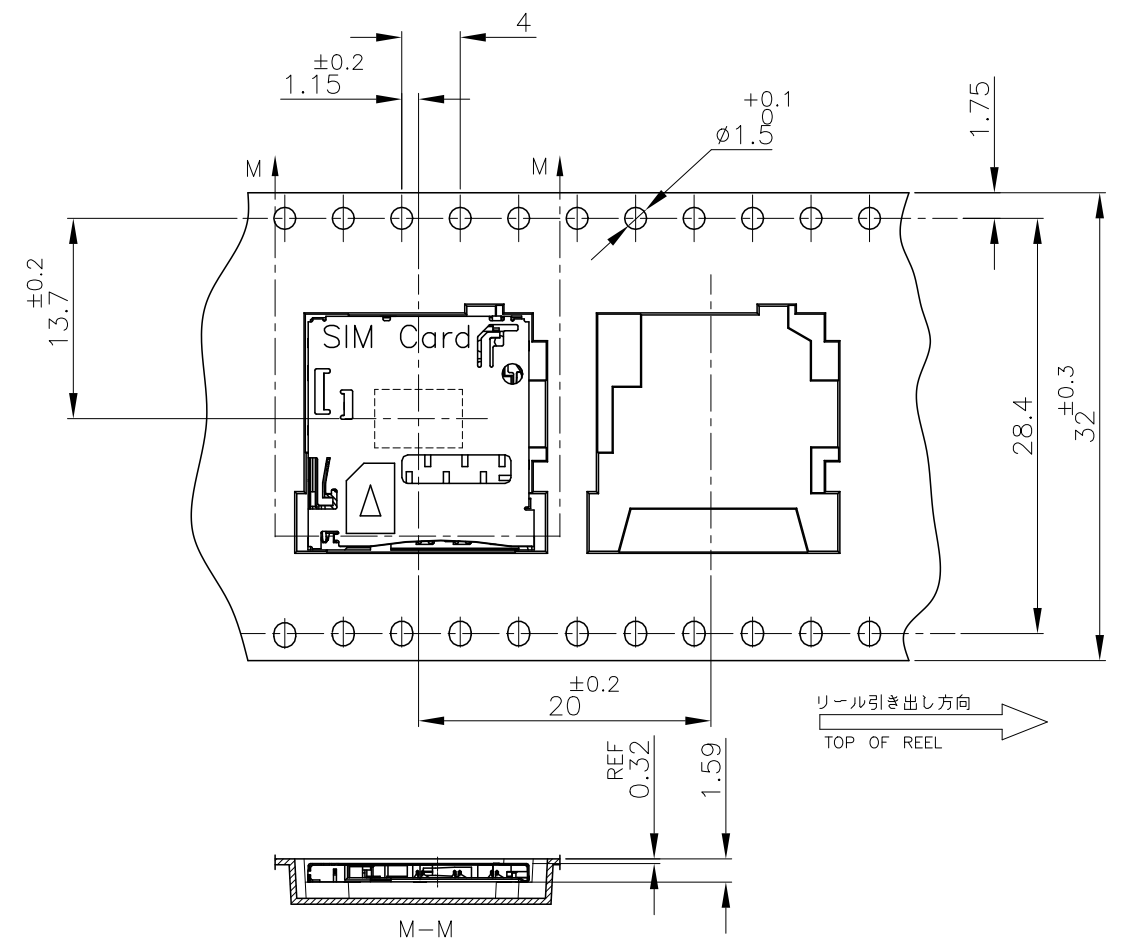
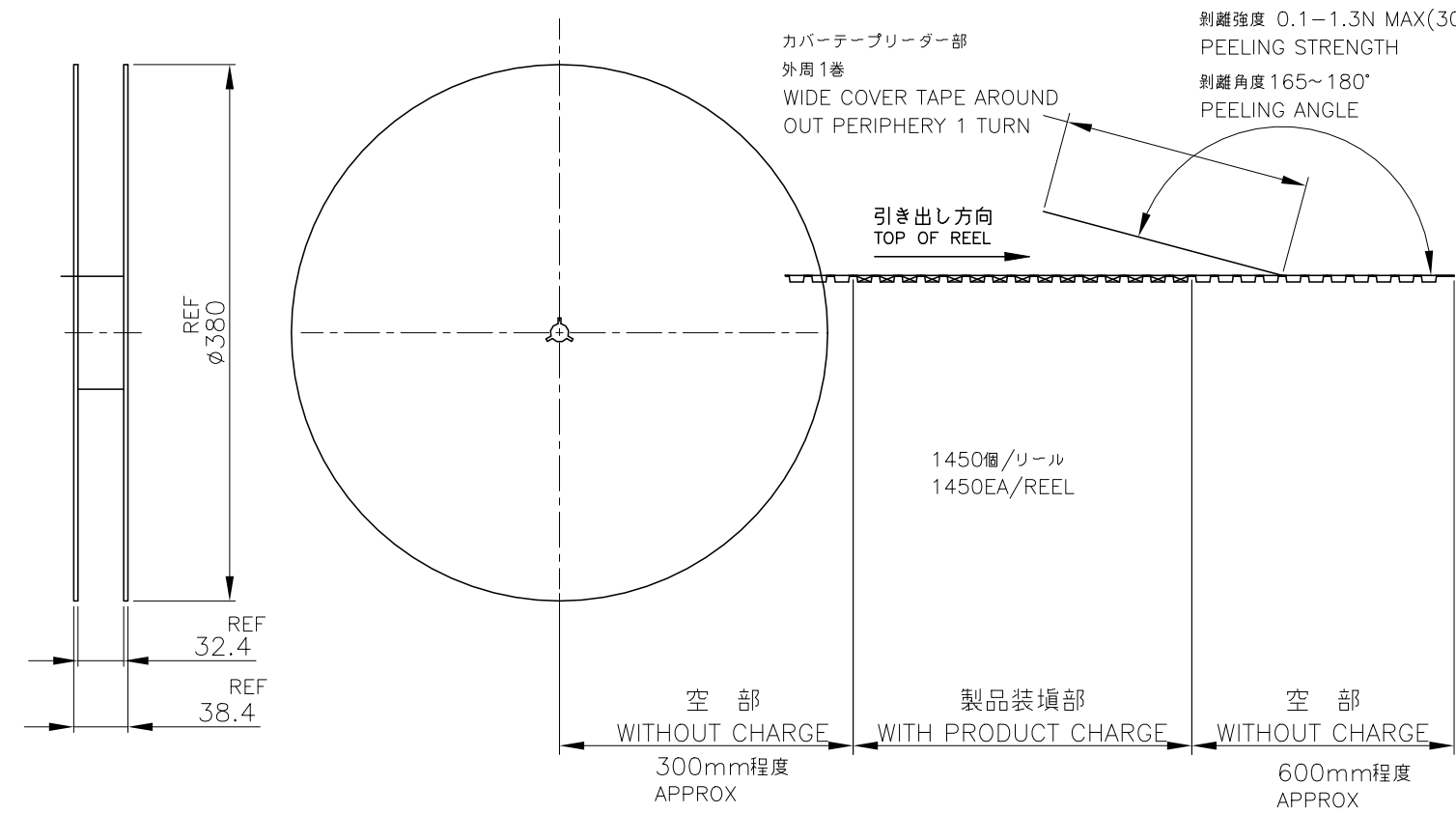
EJECT

SCALE 3:1



THIS DRAWING IS A CONTROLLED DOCUMENT.		DWN	TE Connectivity Ltd.			
DIMENSIONS: mm		CHK				
		APVD	NAME			
TOLERANCES UNLESS OTHERWISE SPECIFIED: 0 PLC ± - 1 PLC ± - 2 PLC ± - 3 PLC ± - 4 PLC ± - ANGLES ± -		PRODUCT SPEC	MICRO SIM CONNECTOR PUSH-PUSH SMT TYPE			
MATERIAL		APPLICATION SPEC	SIZE	CAGE CODE	DRAWING NO	RESTRICTED TO
FINISH		WEIGHT	A3	00779	C=2229333	-
CUSTOMER DRAWING			SCALE	SHEET	REV	
			5:1	4 of 6	B2	

REVISIONS				
P	LTR	DESCRIPTION	DATE	APVD
-	-	SEE SHEET 1	-	-



THIS DRAWING IS A CONTROLLED DOCUMENT.		DWN	-		STE TE Connectivity Ltd.
DIMENSIONS: mm		CHK	-		
TOLERANCES UNLESS OTHERWISE SPECIFIED:		APVD	-		NAME MICRO SIM CONNECTOR PUSH-PUSH SMT TYPE
0 PLC ± -		PRODUCT SPEC	-		
1 PLC ± -		APPLICATION SPEC	-		SIZE A3
2 PLC ± -		WEIGHT	-		
3 PLC ± -		CAGE CODE		00779	DRAWING NO C=2229333
4 PLC ± -		RESTRICTED TO		-	
ANGLES ± -		SCALE		NTS	SHEET 5 of 6
FINISH		REV		B2	
MATERIAL		CUSTOMER DRAWING			

REVISIONS				
P	LTR	DESCRIPTION	DATE	APVD
	-	SEE SHEET 1	-	-

Cautions and Warnings

General

Mechanical components that will be used in safety-critical or high-reliability applications, should be pre-evaluated by the customer.
 The mechanical component is designed and manufactured to be used within the datasheet specified values. If the usage and operation conditions specified in the datasheet are not met, the component may be damaged or dissolved.

Handling


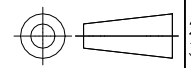
Do not repeatedly operate the component with excessive force. It may damage or deform the component resulting in malfunction.

Washing

Do not wash the connector by cleaning liquid. It remove the contact lubricant.
 This reduce durability resulting in malfunction.

SIM card

SIM card pad must be Gold plating

THIS DRAWING IS A CONTROLLED DOCUMENT.		DWN	 TE Connectivity Ltd.		
DIMENSIONS: mm		CHK			
		TOLERANCES UNLESS OTHERWISE SPECIFIED:		NAME	
		0 PLC ± -	1 PLC ± -	MICRO SIM CONNECTOR PUSH-PUSH SMT TYPE	
MATERIAL		2 PLC ± -	APVD	PRODUCT SPEC	
FINISH		3 PLC ± -	APVD	APPLICATION SPEC	
		4 PLC ± -	APVD	SIZE	RESTRICTED TO
		ANGLES ± -	APVD	CAGE CODE	DRAWING NO
			APVD	A3	00779
			APVD	C=2229333	
			APVD	WEIGHT	
			APVD	CUSTOMER DRAWING	
			APVD	SCALE	SHEET
			APVD	NTS	6 of 6
			APVD	REV	B2