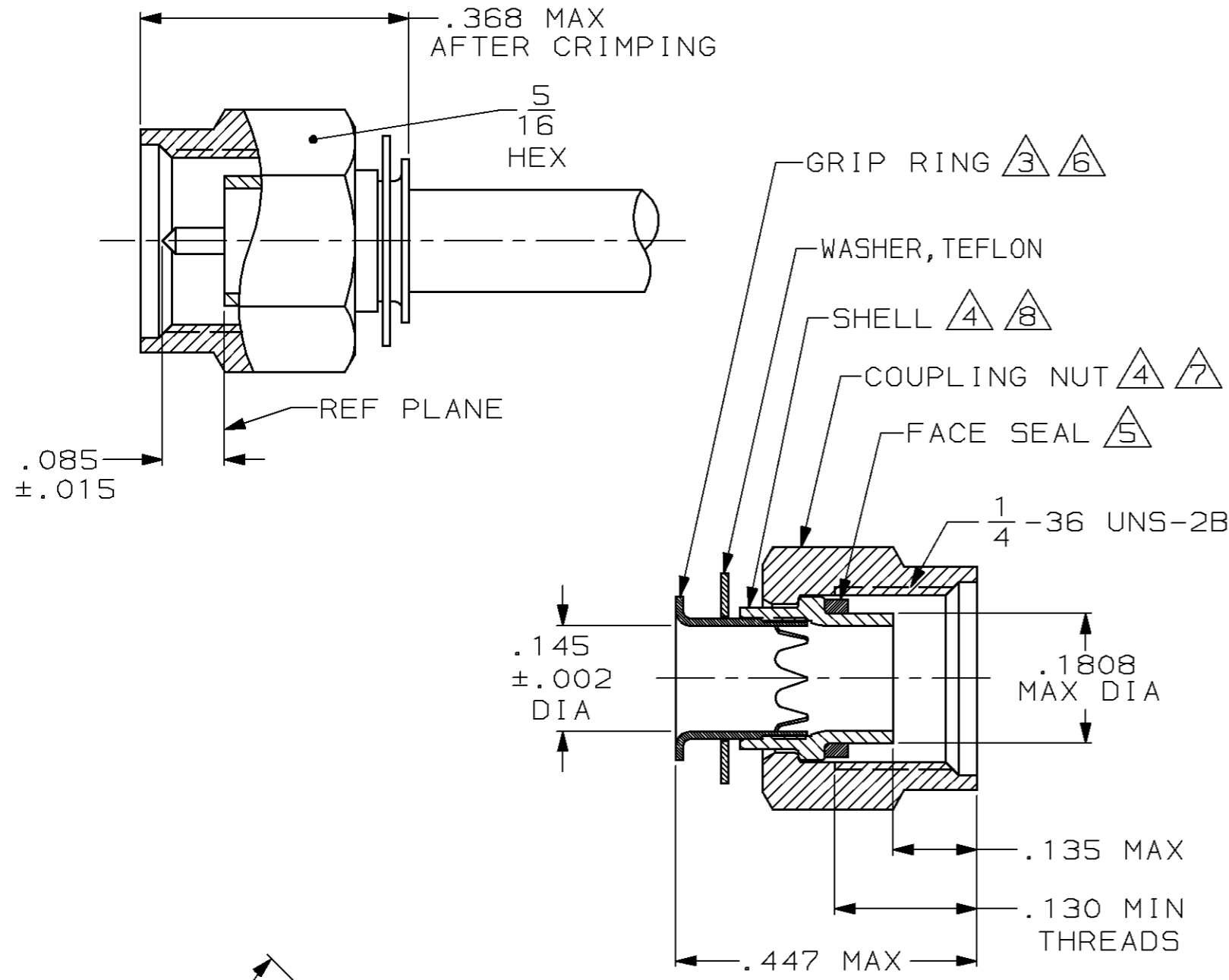
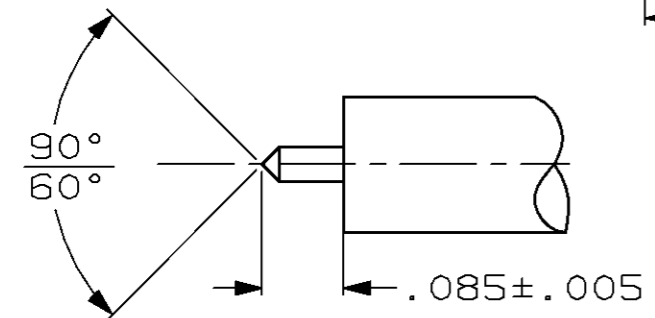


THIS DRAWING IS UNPUBLISHED. RELEASED FOR PUBLICATION, 19  
 © COPYRIGHT 19 BY AMP INCORPORATED, HARRISBURG, PA. ALL INTERNATIONAL RIGHTS RESERVED. AMP PRODUCTS MAY BE COVERED BY U.S. AND FOREIGN PATENTS AND/OR PATENTS PENDING.

LOC	DIST	P	F	REVISIONS				
				ZONE	LTR	DESCRIPTION	DATE	APPROVED
AJ	16				E	REV PER 0630-0431-98	28OCT98	MO



1. FOR USE WITH: RG-402/U, .141 SEMI RIGID CABLE
2. SEE I.S. 6788
- ③ BRASS PER ASTM-B-36
- ④ STAINLESS STEEL PER ASTM-A-582
- ⑤ SILICONE RUBBER PER ZZ-R-765
- ⑥ NICKEL PL PER QQ-N-290
- ⑦ PASSIVATION PER ASTM A967
8. 00779 M39012/92-3301
9. .500 MIN LENGTH OF STRAIGHT CABLE REQUIRED TO APPLY THE CONNECTOR



RECOMMENDED STRIP LENGTH

UNLESS OTHERWISE SPECIFIED DIMENSIONS ARE IN INCHES TOLERANCES ON:		DR 11-30-87 M.SNEED		228635-1	
2 PL DEC ± _____		CHK 1-4-88 D.HEIDE		PART NO	
3 PL DEC ± _____		APPD 1-4-88 D.HEIDE		AMP INCORPORATED Harrisburg, Pa. 17105	
ANGLES ± _____		APPD 1-4-88 M.SNEED		NAME	
MATERIAL ③ THRU ⑥		PRODUCT SPEC 108-12055		PLUG, RF, SERIES SMA	
FINISH ⑦ ⑧		APPLICATION SPEC _____		SIZE B	FSCM NO 00779
		WEIGHT .063 OZ		DRAWING NO 228635-1	
				SCALE 5:1	SHEET 1 OF 1