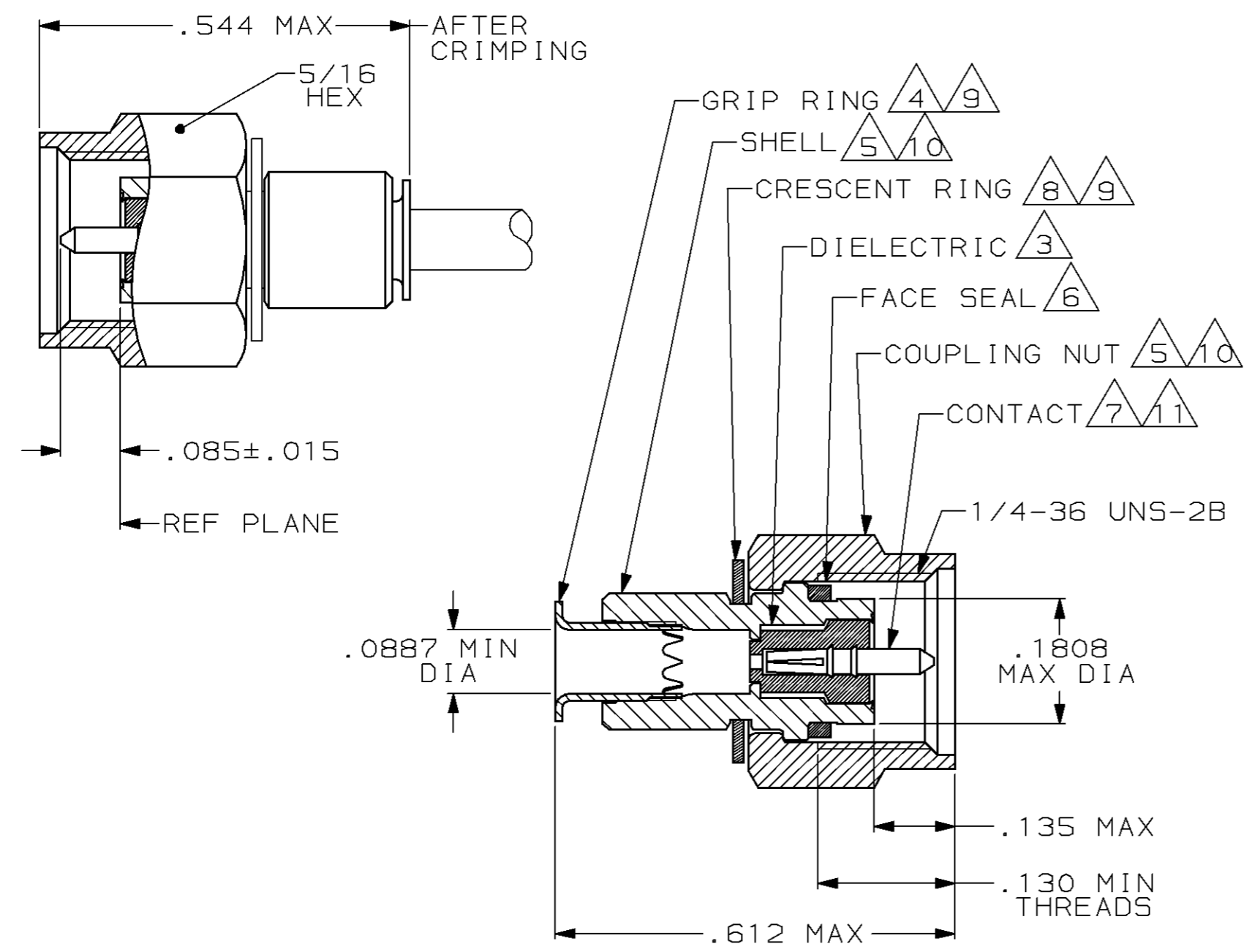
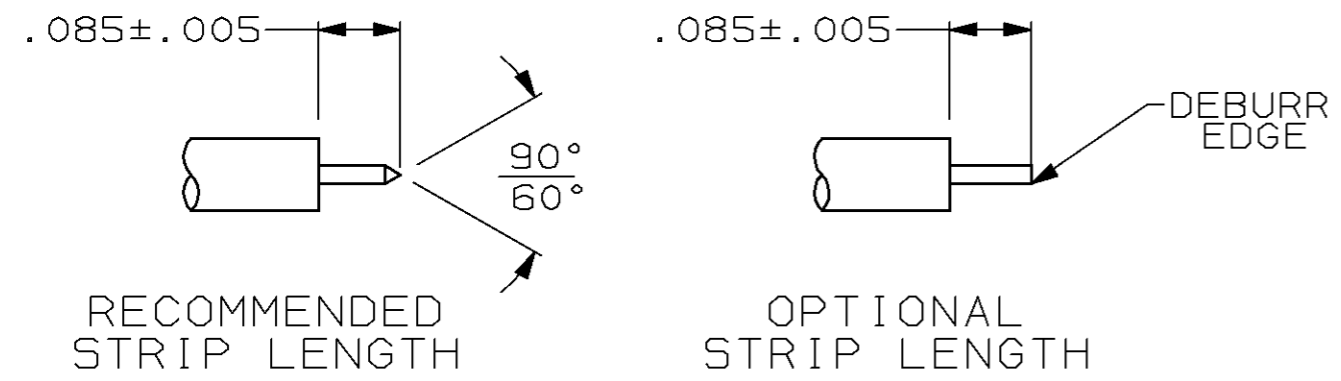


THIS DRAWING IS UNPUBLISHED. RELEASED FOR PUBLICATION, 19
 © COPYRIGHT 19 BY AMP INCORPORATED, HARRISBURG, PA. ALL INTERNATIONAL RIGHTS RESERVED. AMP PRODUCTS MAY BE COVERED BY U.S. AND FOREIGN PATENTS AND/OR PATENTS PENDING.

LOC	DIST	P	F	ZONE	LTR	DESCRIPTION	DATE	APPROVED
AJ	16				D	REV PER 0G30-0431-98	280CT98	MO



- FOR USE WITH: RG-405/U, .086 SEMI-RIGID CABLE
- SEE I.S. 6788
- PTFE PER ASTM D1710
- BRASS PER ASTM-B-36
- STAINLESS STEEL PER ASTM-A-582
- SILICONE RUBBER PER ZZ-R-765
- BERYLLIUM COPPER PER ASTM-B-197
- BERYLLIUM COPPER, ALLOY #25
- NICKEL PL PER QQ-N-290
- PASSIVATION PER ASTM A967
- GOLD PL PER MIL-G-45204
- 00779 M39012/79-3307
- .500 MIN LENGTH OF STRAIGHT CABLE REQUIRED TO APPLY THE CONNECTOR



		228639-1	
		PART NO	
UNLESS OTHERWISE SPECIFIED DIMENSIONS ARE IN INCHES TOLERANCES ON:		DR M. SNEED 3-17-87	AMP INCORPORATED Harrisburg, Pa. 17105
2 PL DEC ± _____		CHK D. HEIDE 3-17-87	
3 PL DEC ± _____		APPD M. WALMSLEY 3-17-87	NAME
ANGLES ± _____		APPD M. SNEED 3-17-87	PLUG, MIL-F, SERIES SMA
MATERIAL	3 THRU 8	PRODUCT SPEC 108-12055	SIZE B
FINISH	9 THRU 11	APPLICATION SPEC _____	FSCM NO 00779
		WEIGHT _____	DRAWING NO 228639-1
			SCALE 5:1
			SHEET 1 OF 1