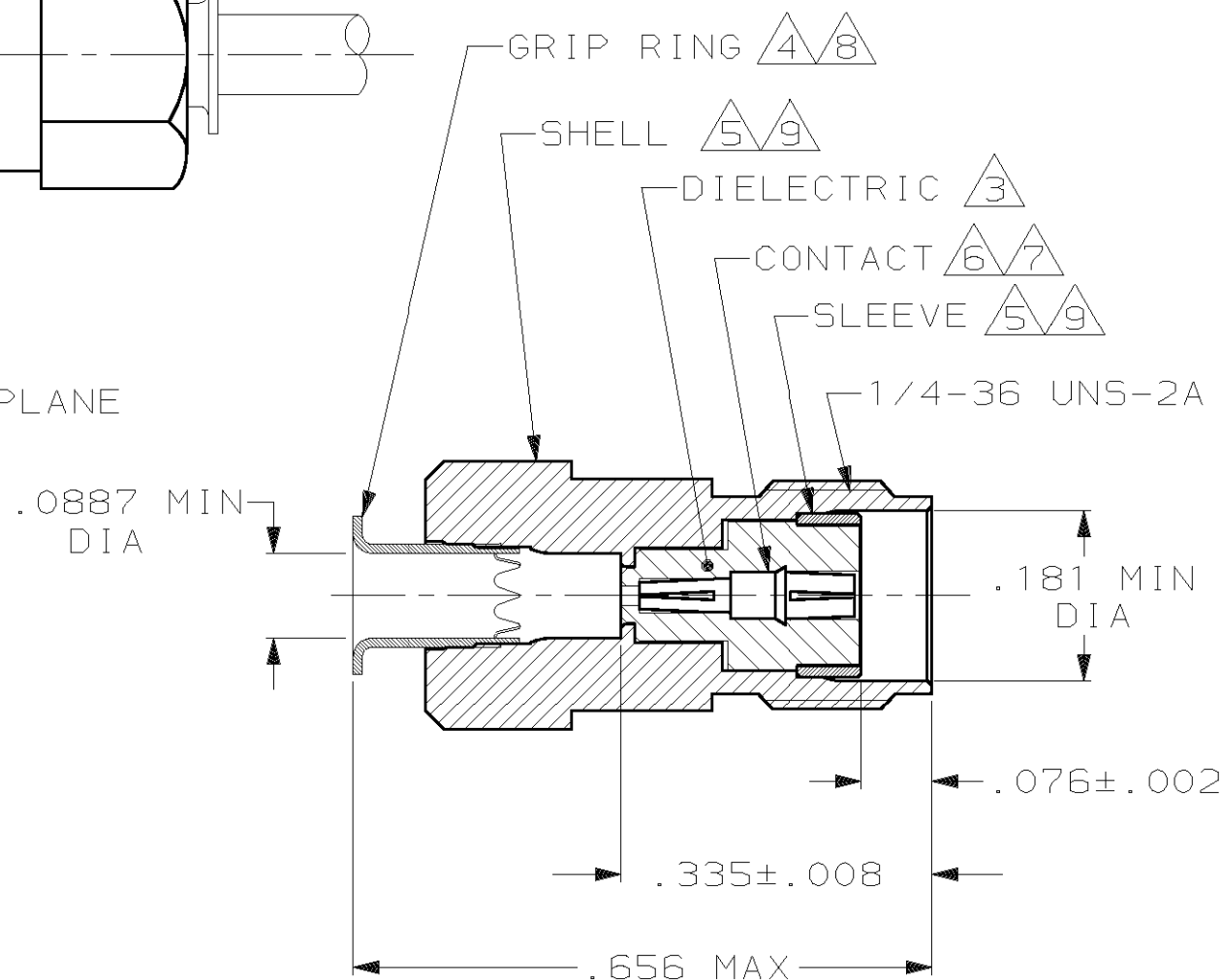
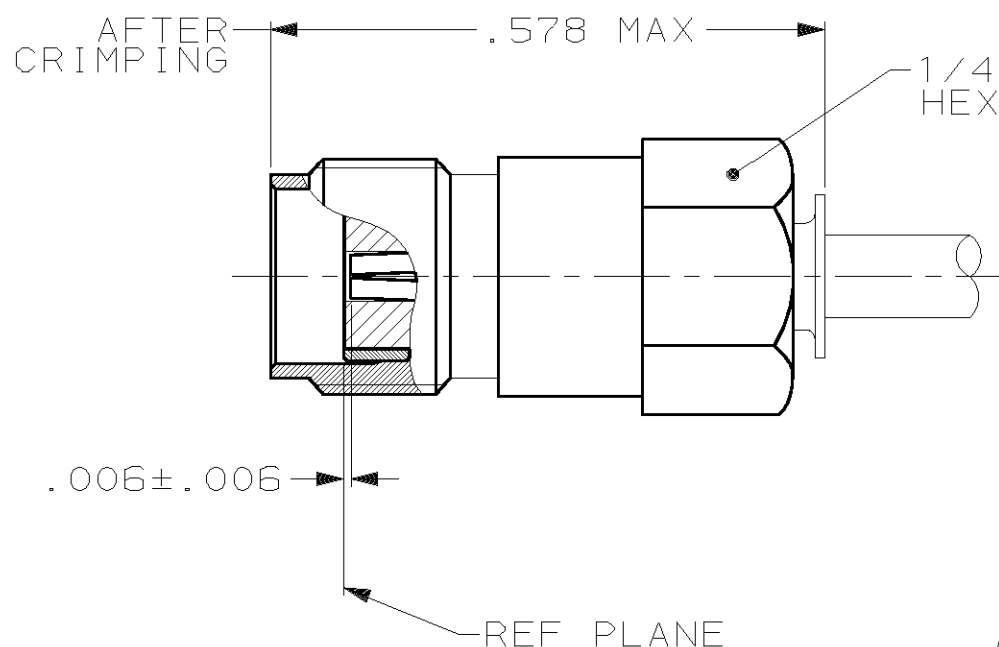


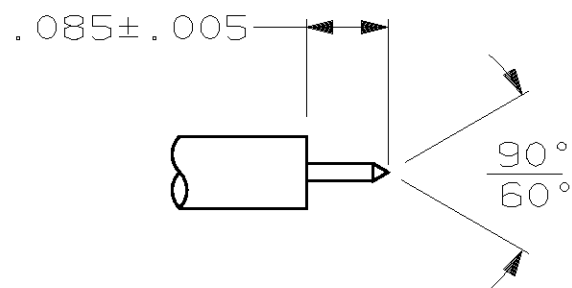
THIS DRAWING IS UNPUBLISHED. RELEASED FOR PUBLICATION ,19 .  
 © COPYRIGHT 19 BY AMP INCORPORATED, HARRISBURG, PA. ALL INTERNATIONAL RIGHTS RESERVED. AMP PRODUCTS MAY BE COVERED BY U.S. AND FOREIGN PATENTS AND/OR PATENTS PENDING.

LOC AJ DIST 16

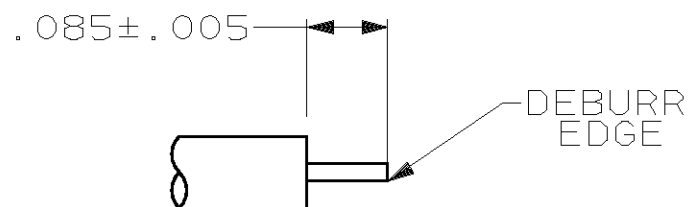
REVISIONS				
ZONE	LTR	DESCRIPTION	DATE	APPROVED
	D	REV PER 0U20-0173-00	07JUN00	MO



1. FOR USE WITH: RG-405/U, .086 SEMI-RIGID CABLE
2. SEE I.S. 6788
3. PTFE PER MIL-P-19468
4. BRASS PER MIL-C-50
5. STAINLESS STEEL PER ASTM-A-582
6. BERYLLIUM COPPER PER QQ-C-530
7. GOLD PL PER MIL-G-45204
8. NICKEL PL PER QQ-N-290
9. PASSIVATION PER QQ-P-35
10. .500 MIN LENGTH OF STRAIGHT CABLE REQUIRED TO APPLY THE CONNECTOR



RECOMMENDED STRIP LENGTH



OPTIONAL STRIP LENGTH

228640-1

PART NO

UNLESS OTHERWISE SPECIFIED DIMENSIONS ARE IN INCHES TOLERANCES ON: 2 PL DEC ± _____ 3 PL DEC ± _____ ANGLES ± _____	DR M. SNEED	3-17-87
	CHK D. HEIDE	3-17-87
MATERIAL 3 THRU 6	APPD M. WALMSLEY	3-17-87
	APPD M. SNEED	3-17-87
FINISH 7 THRU 9	PRODUCT SPEC	108-12055
	APPLICATION SPEC	
	WEIGHT	

<b>AMP</b> AMP INCORPORATED Harrisburg, Pa. 17105		
NAME JACK, SERIES SMA		
SIZE <b>B</b>	FSCM NO 00779	DRAWING NO 228640-1
SCALE 5:1	SHEET 1 OF 1	