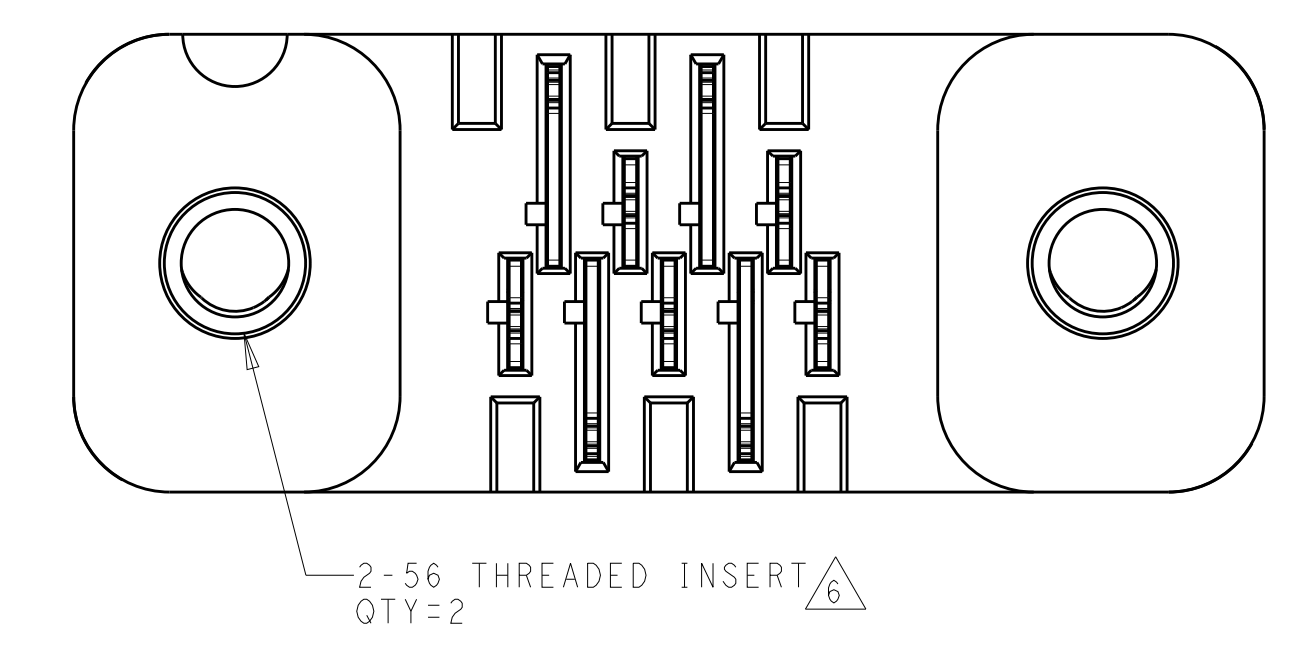
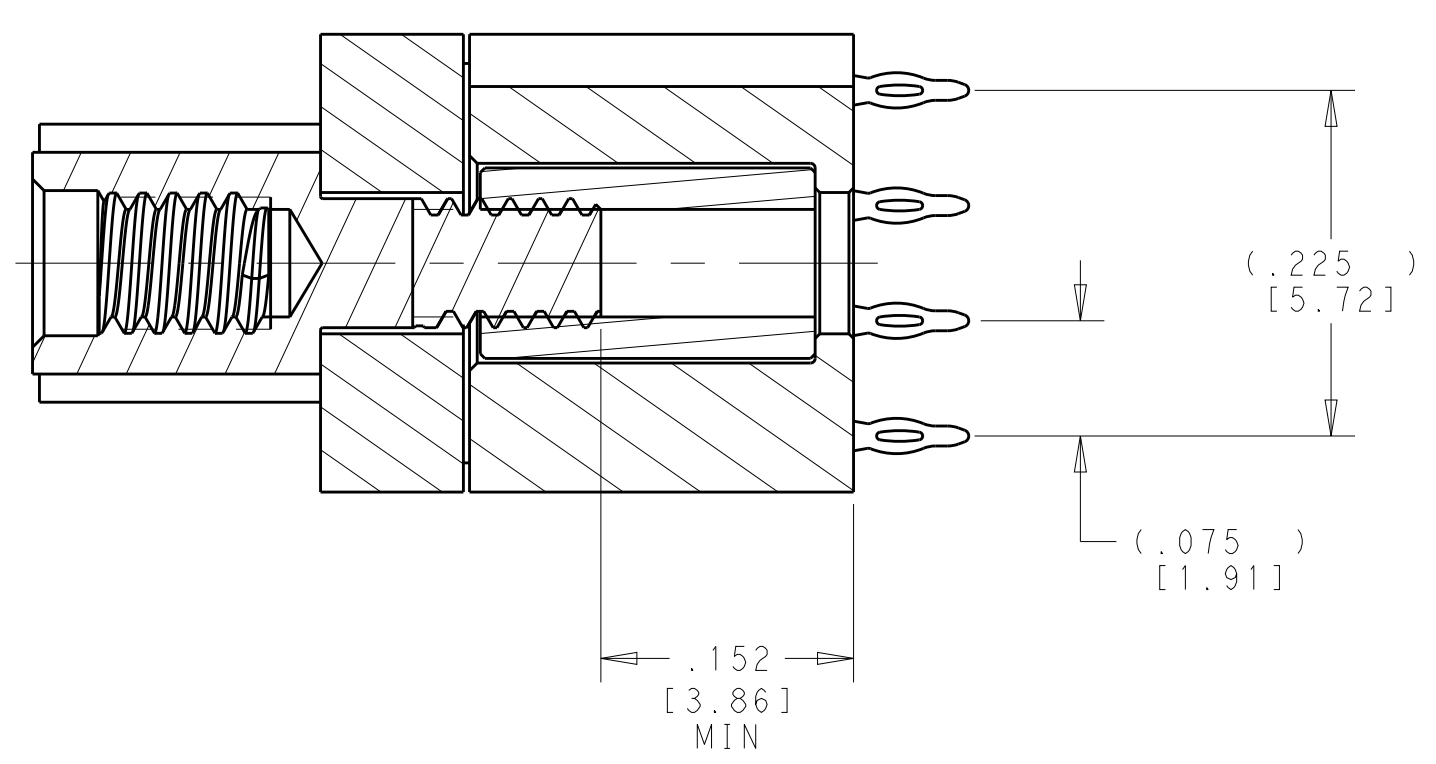
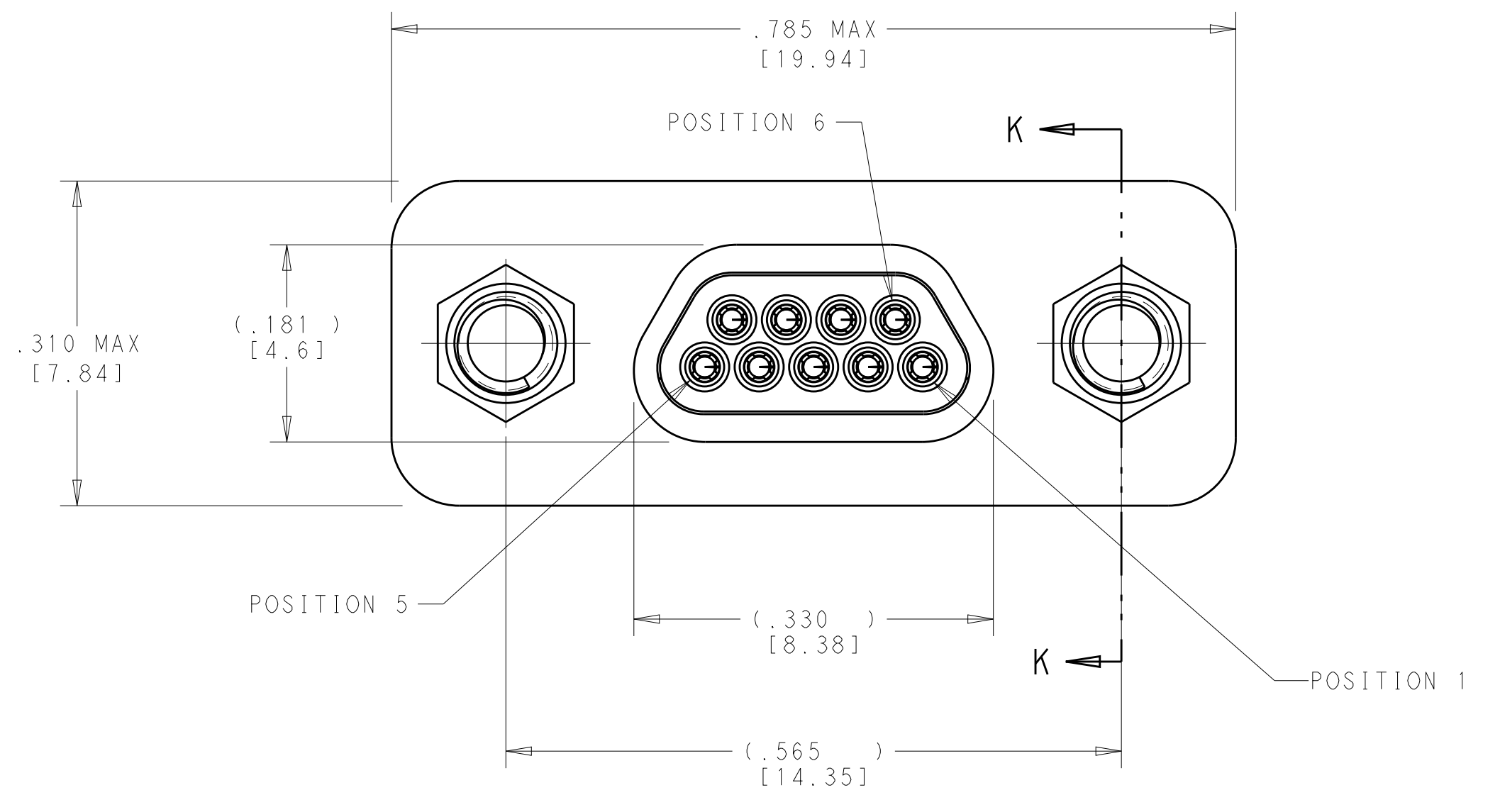
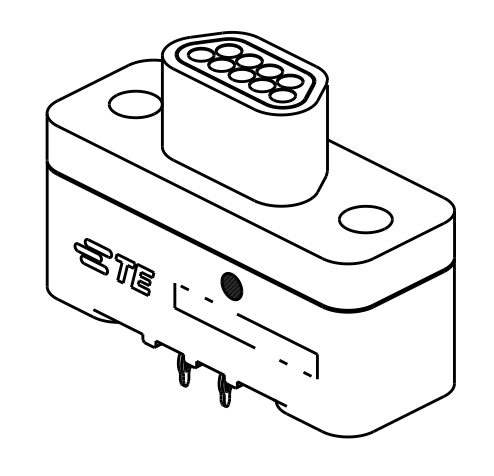


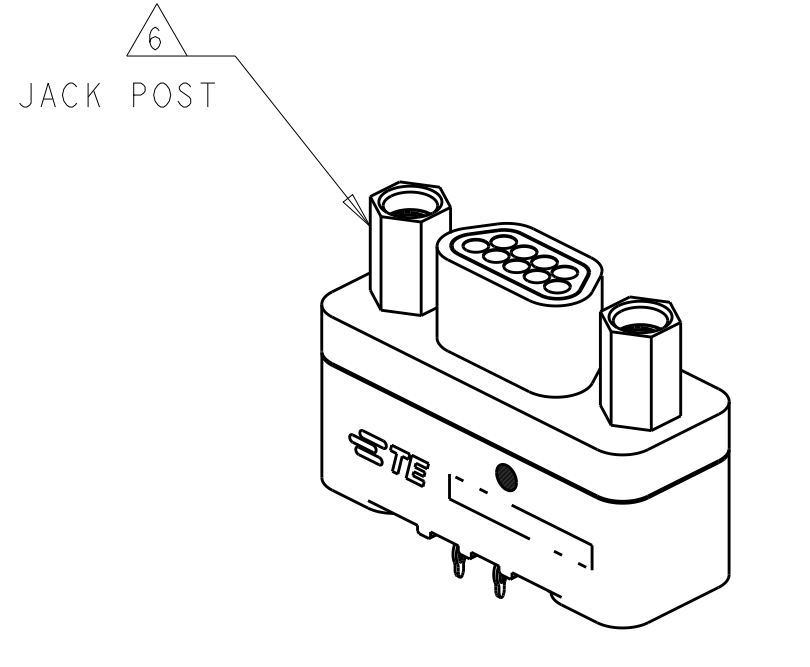
REVISIONS				
REV	DATE	DESCRIPTION	BY	APPD
1	PROPOSED		24SEP2016	DCB KA



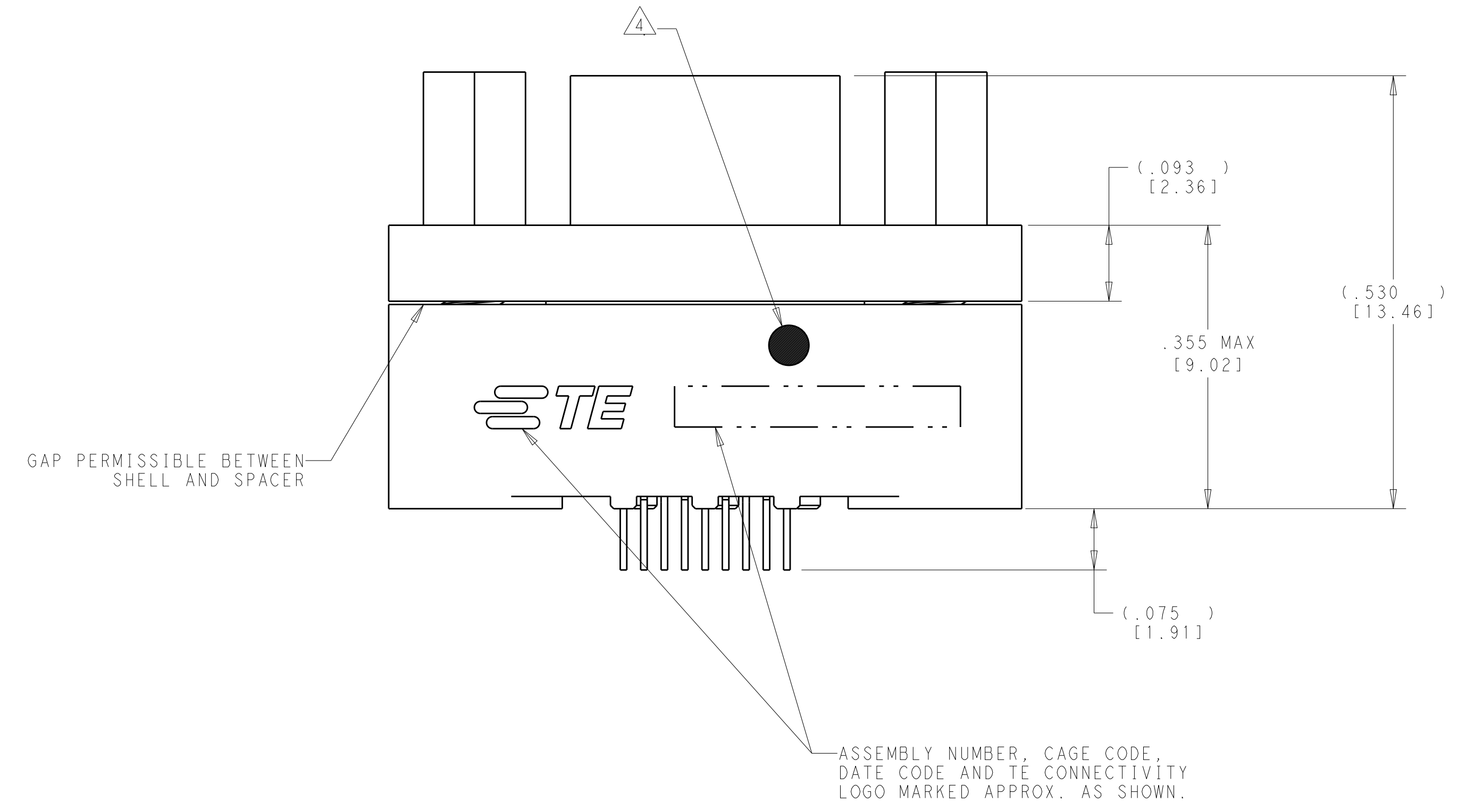
SECTION K-K



2302729-1 SHOWN  
SCALE 3:1



2302729-5 SHOWN  
SCALE 3:1



Au	THREADED INSERT / JACK POST	BLACK ZINC	ALUMINUM	TBD	3-2302729-0
SnPb	THREADED INSERT / JACK POST	BLACK ZINC	ALUMINUM	TBD	2-2302729-9
Au	THRU-HOLE	BLACK ZINC	ALUMINUM	TBD	2-2302729-8
SnPb	THRU-HOLE	BLACK ZINC	ALUMINUM	TBD	2-2302729-7
Au	THREADED INSERT	BLACK ZINC	ALUMINUM	TBD	2-2302729-6
SnPb	THREADED INSERT	BLACK ZINC	ALUMINUM	TBD	2-2302729-5
Au	THREADED INSERT / JACK POST	PTFE	ALUMINUM	TBD	2-2302729-4
SnPb	THREADED INSERT / JACK POST	PTFE	ALUMINUM	TBD	2-2302729-3
Au	THRU-HOLE	PTFE	ALUMINUM	TBD	2-2302729-2
SnPb	THRU-HOLE	PTFE	ALUMINUM	TBD	2-2302729-1
Au	THREADED INSERT	PTFE	ALUMINUM	TBD	2-2302729-0
SnPb	THREADED INSERT	PTFE	ALUMINUM	TBD	1-2302729-9
Au	THREADED INSERT / JACK POST	PASSIVATED	STAINLESS STEEL	TBD	1-2302729-8
SnPb	THREADED INSERT / JACK POST	PASSIVATED	STAINLESS STEEL	TBD	1-2302729-7
Au	THRU-HOLE	PASSIVATED	STAINLESS STEEL	TBD	1-2302729-6
SnPb	THRU-HOLE	PASSIVATED	STAINLESS STEEL	TBD	1-2302729-5
Au	THREADED INSERT	PASSIVATED	STAINLESS STEEL	TBD	1-2302729-4
SnPb	THREADED INSERT	PASSIVATED	STAINLESS STEEL	TBD	1-2302729-3
Au	THREADED INSERT / JACK POST	CADMIUM	ALUMINUM	TBD	1-2302729-2
SnPb	THREADED INSERT / JACK POST	CADMIUM	ALUMINUM	TBD	1-2302729-1
Au	THRU-HOLE	CADMIUM	ALUMINUM	TBD	1-2302729-0
SnPb	THRU-HOLE	CADMIUM	ALUMINUM	TBD	2302729-9
Au	THREADED INSERT	CADMIUM	ALUMINUM	TBD	2302729-8
SnPb	THREADED INSERT	CADMIUM	ALUMINUM	TBD	2302729-7
Au	THREADED INSERT / JACK POST	NICKEL	ALUMINUM	TBD	2302729-6
SnPb	THREADED INSERT / JACK POST	NICKEL	ALUMINUM	TBD	2302729-5
Au	THRU-HOLE	NICKEL	ALUMINUM	TBD	2302729-4
SnPb	THRU-HOLE	NICKEL	ALUMINUM	TBD	2302729-3
Au	THREADED INSERT	NICKEL	ALUMINUM	TBD	2302729-2
SnPb	THREADED INSERT	NICKEL	ALUMINUM	TBD	2302729-1
CONTACT TAIL PLATING	MOUNTING STYLE	SHELL PLATING	SHELL MATERIAL	MICRODOT PART NO	PART NO

- MATERIAL: SHELL: SEE TABLE; CONTACT: COPPER ALLOY; INSULATOR: THERMOPLASTIC; COLOR: BLACK; LEAD ORGANIZER: THERMOPLASTIC; COLOR: BLACK; OPTIONAL HARDWARE: STAINLESS STEEL.
- CONTACT FINISH: MATING AREA: GOLD 50µm [1.27µm] Au MIN OVER 30µm [0.76µm] Ni MIN. COMPLIANT PIN AREA: 15µm [0.51µm] MIN BRIGHT SnPb OVER 50µm [1.27µm] MIN Ni.
- REFERENCE APPLICATION SPEC 114-163000 FOR RECOMMENDED PCB LAYOUT, PLATED THROUGH HOLE DIAMETER AND PLATING THICKNESS. DATUMS AND BASIC DIMENSIONS ESTABLISHED BY CUSTOMER.
- POSITION 1 SHALL BE INDICATED BY AN IDENTIFIABLE MARK, LOCATED APPROXIMATELY AS SHOWN ON THE POSITION 1 SIDE OF THE CONNECTOR FLANGE. THIS MARK SHALL BE INCLUDED AS PART OF THE PART MARKING INFORMATION.
- ALL DIMENSIONS AND REQUIREMENTS ARE PER MIL-DTL-83513/28 (EXCEPT COMPLIANT PINS & PART MARKING).
- THREADED INSERT AND JACK POST 2-56 UNC 2-B CONFIGURATION OPTIONAL.
- CONTACT FINISH: MATING AREA: GOLD 50µm [1.27µm] Au MIN OVER 30µm [0.76µm] Ni MIN. COMPLIANT PIN AREA: 15µm [0.51µm] MIN Au OVER 50µm [1.27µm] MIN Ni.

THIS DRAWING IS A CONTROLLED DOCUMENT.

THIS PRINT IS UNQUALIFIED PRODUCT CONTACT PRODUCT ENGINEERING BEFORE USING THIS PRINT

UNQUALIFIED PRODUCT CONTACT PRODUCT ENGINEERING BEFORE USING THIS PRINT

DATE: 24JUN2016  
 CHK: BELACK  
 APPD: ANNIS  
 DATE: 24JUN2016

PRODUCT SPEC: 108-163000  
 APPLICATION SPEC: 114-163000

SCALE: 8:1

STE TE Connectivity

PLUG ASSY, VERTICAL, 2 ROW, 9 POSITION, MICRODOT PRESS-FIT

SIZE: A0  
 SHEET: 1 OF 1  
 REV: 1