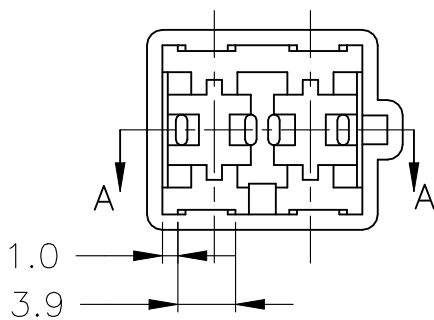
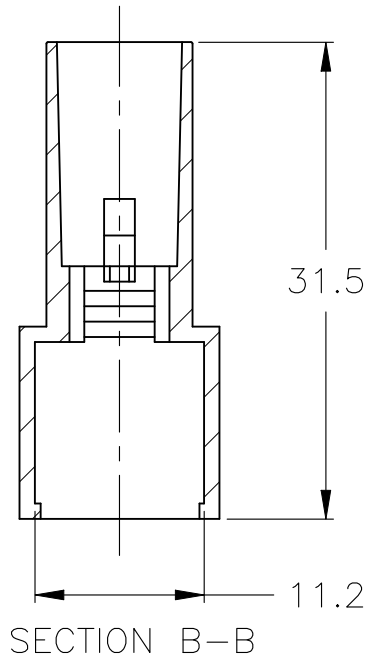
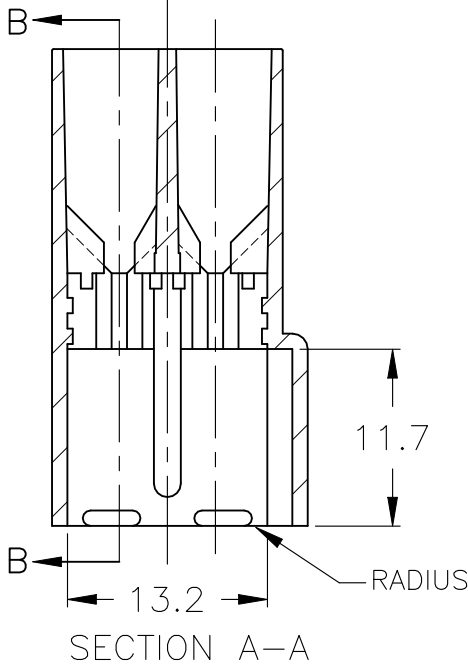
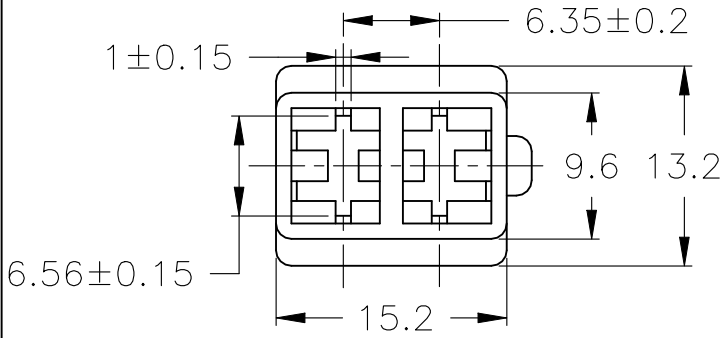


REVISIONS

P	LTR	DESCRIPTION	DATE	DWN	APVD
	L1	REVISED PER ECR	16JAN2024	GK	RE



1 OBSOLETE PARTS: OBSOLETE CIS STREAMLINING PER D.RENAUD/D.SINISI

1	OBSOLETE	BLACK	NYLON 6/6	280542-5
	OBSOLETE	RED		280542-1
	OBSOLETE	NATURAL		280542-0
	NOTES	COLOUR	MATERIAL	PART NUMBER

RELEASED FOR PUBLICATION

ALL RIGHTS RESERVED.

COPYRIGHT - TE Connectivity

THIS DRAWING IS UNPUBLISHED.

DIMENSIONS: mm	DWN BASAVARAJA D A 25OCT2017	MATERIAL SEE TABLE	FINISH SEE TABLE		
	CHK GUNASEKHAR G 25OCT2017	TE Connectivity			
TOLERANCES UNLESS OTHERWISE SPECIFIED:	APVD GUNASEKHAR G 25OCT2017			NAME 2 WAY .250 SRS FASTIN-ON TAB HSG	
0 PLC ± -	PRODUCT SPEC	SIZE	CAGE CODE	DRAWING NO	RESTRICTED TO
1 PLC ± 0.4	APPLICATION SPEC	A4	00779	C-280542	-
2 PLC ± -	WEIGHT	CUSTOMER DRAWING			
3 PLC ± -		SCALE	SHEET	REV	
4 PLC ± -		2:1	1 OF 1	L1	
ANGLES ± 1°					

