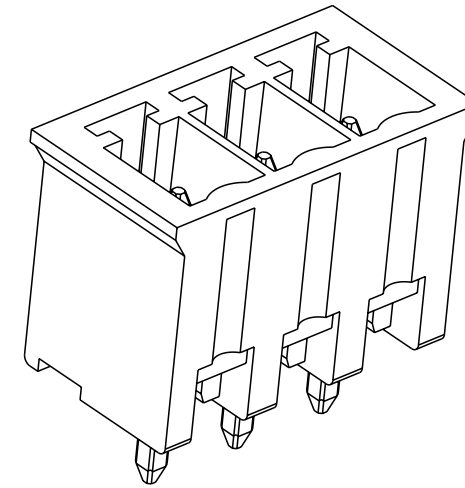
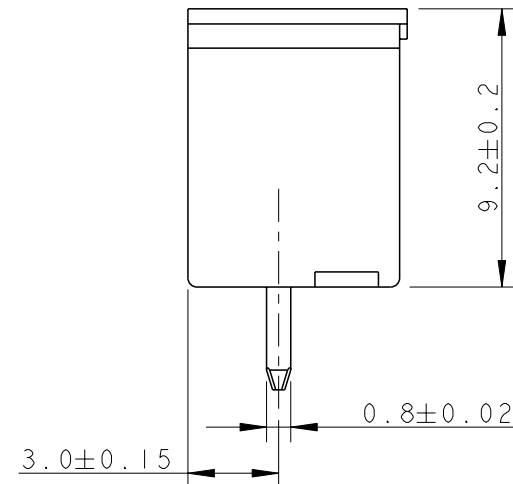
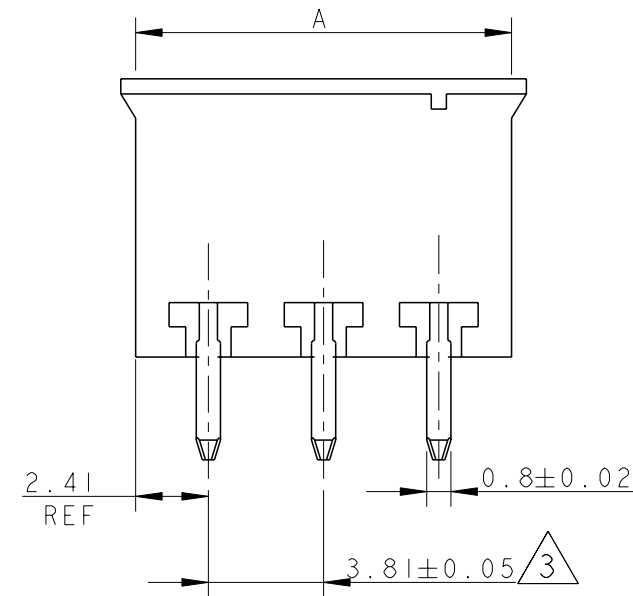
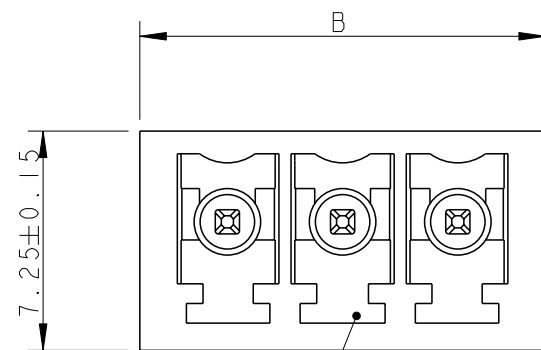


P	LTR	DESCRIPTION	DATE	DWN	APVD
	C3	REVISED PER ECO-20-006341	01 JUN 2020	SS	PS



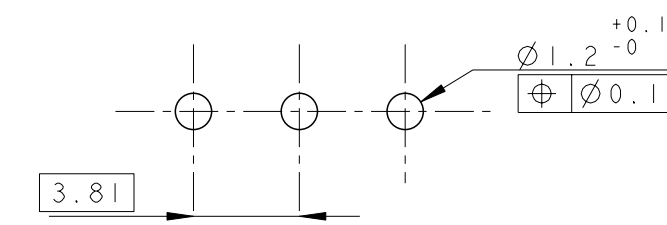
284517-3 AS SHOWN

5	4				
		17.23	16.25	4	2-284517-6
		97.24	96.26	25	2-284517-5
		93.43	92.45	24	2-284517-4
		89.62	88.64	23	2-284517-3
		85.81	84.83	22	2-284517-2
		82.00	81.02	21	2-284517-1
		78.19	77.21	20	2-284517-0
		74.38	73.40	19	1-284517-9
		70.57	69.59	18	1-284517-8
		66.76	65.78	17	1-284517-7
		62.95	61.97	16	1-284517-6
		59.14	58.16	15	1-284517-5
		55.33	54.35	14	1-284517-4
		51.52	50.54	13	1-284517-3
		47.71	46.73	12	1-284517-2
		43.90	42.92	11	1-284517-1
		40.09	39.11	10	1-284517-0
		36.28	35.30	9	284517-9
		32.47	31.49	8	284517-8
		28.66	27.68	7	284517-7
		24.85	23.87	6	284517-6
		21.04	20.06	5	284517-5
		17.23	16.25	4	284517-4
		13.42	12.44	3	284517-3
		9.61	8.63	2	284517-2
		B	A	NO OF POS	PART NUMBER



POLARIZATION KEY SLOT

- 1 MATERIALS AND FINISH
HOUSING : PA 6.6, UL 94-V0, COLOR GREEN
TERMINAL : PHOSPHOR BRONZE, TIN PLATED
- 2 SUITABLE FOR 1.6-2.4 mm. PC BOARD THICKNESS
- 3 NOT CUMULATIVE TOLERANCE
- 4 HOUSING: PA 6.6, UL 94-V0, COLOR:RED
- 5 PRELIMINARY - NOT RELEASED FOR PRODUCTION



RECOMMENDED PC BOARD LAYOUT

THIS DRAWING IS A CONTROLLED DOCUMENT.		DWN 06FEB2002 E. ZANOLINI	TE Connectivity	
DIMENSIONS: mm		CHK 06FEB2002 E. ZANOLINI		
TOLERANCES UNLESS OTHERWISE SPECIFIED:		APVD 06FEB2002 D. BIEVENOUR	NAME TERMINAL BLOCK, HEADER ASSEMBLY STRAIGHT, CLOSED ENDS 3.81mm PITCH	
0 PLC ±- 1 PLC ±0.30 2 PLC ±0.25 3 PLC ±- 4 PLC ±- ANGLES ±2°		PRODUCT SPEC	RESTRICTED TO	
MATERIAL		APPLICATION SPEC 114-20079	SIZE A300779	CAGE CODE C-284517
FINISH		WEIGHT -	DRAWING NO	
		CUSTOMER DRAWING	SCALE 4:1	SHEET 1 OF 1
			REV C3	