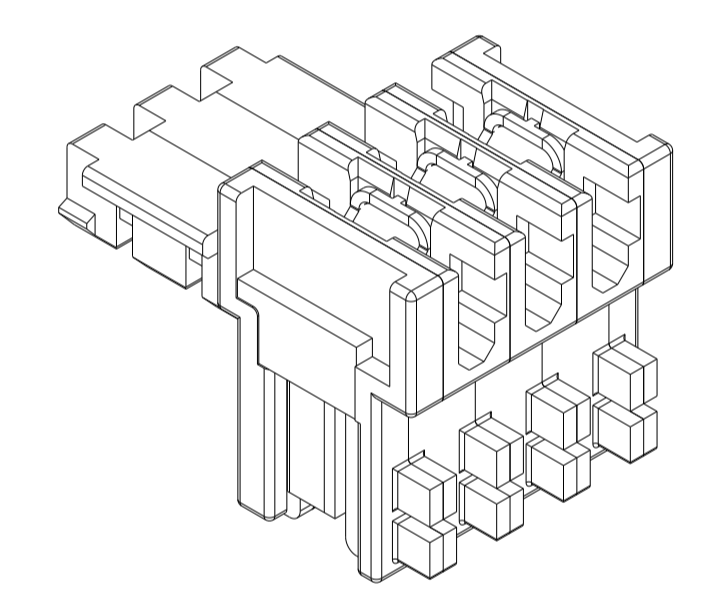
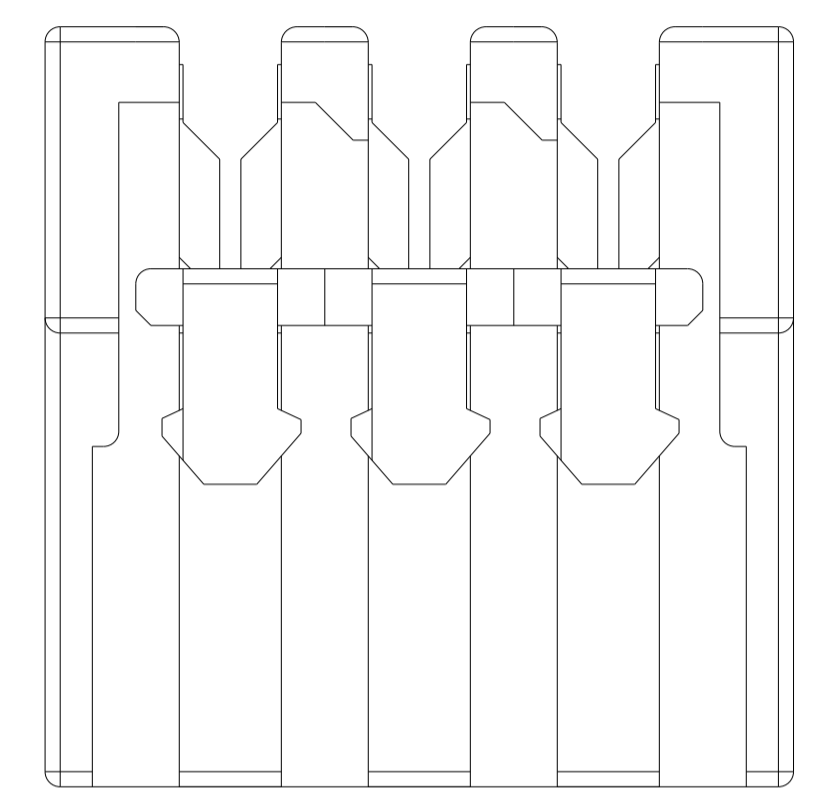
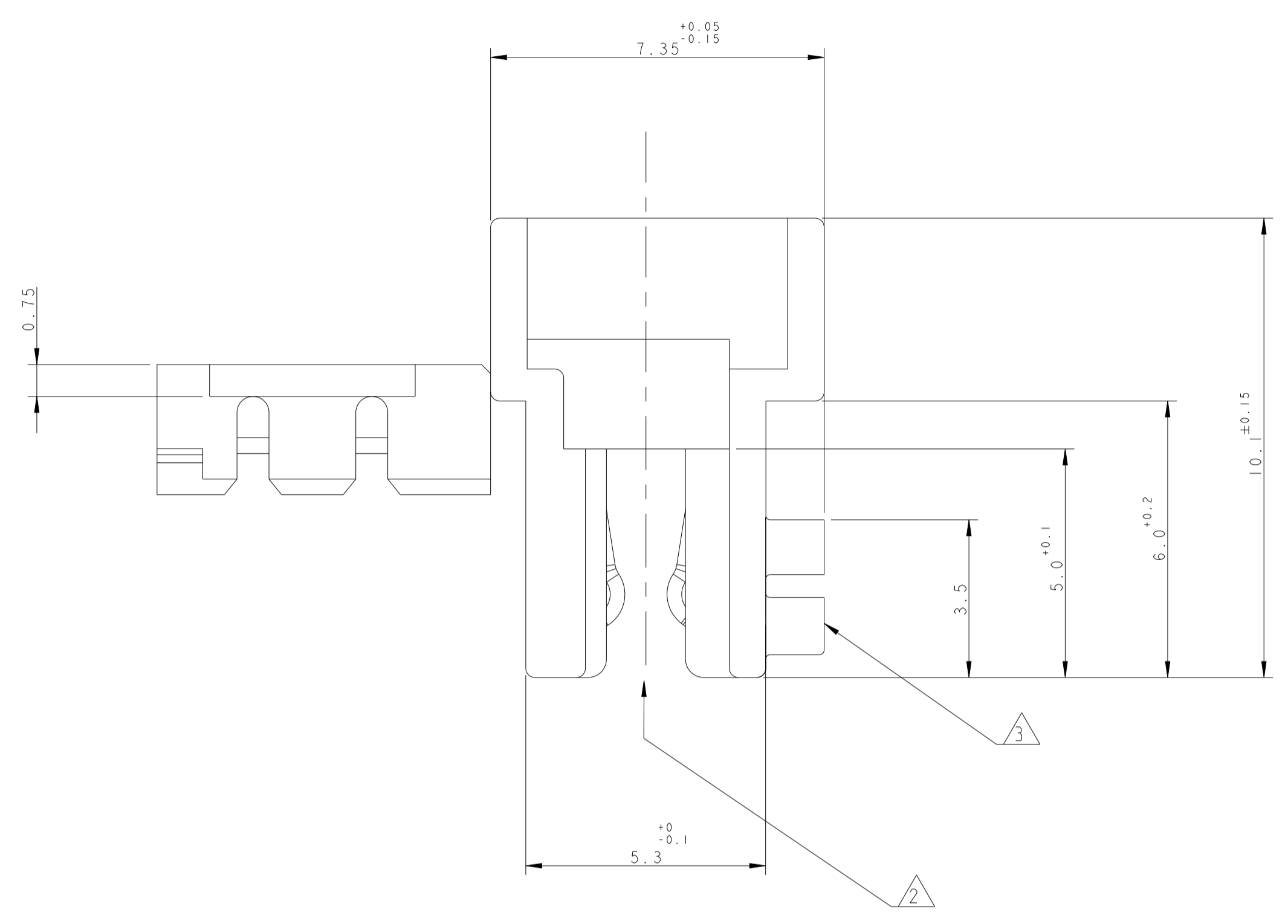
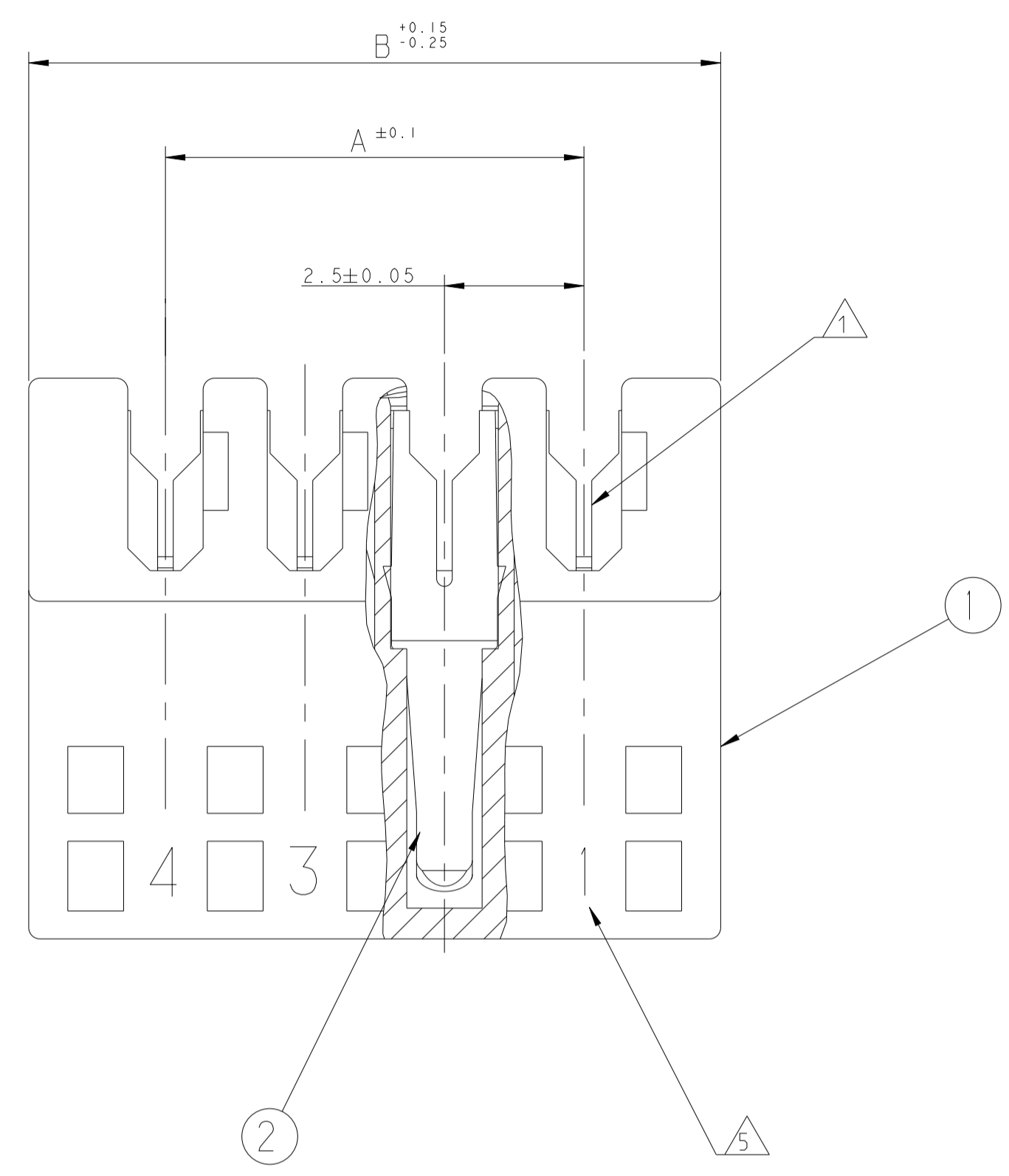
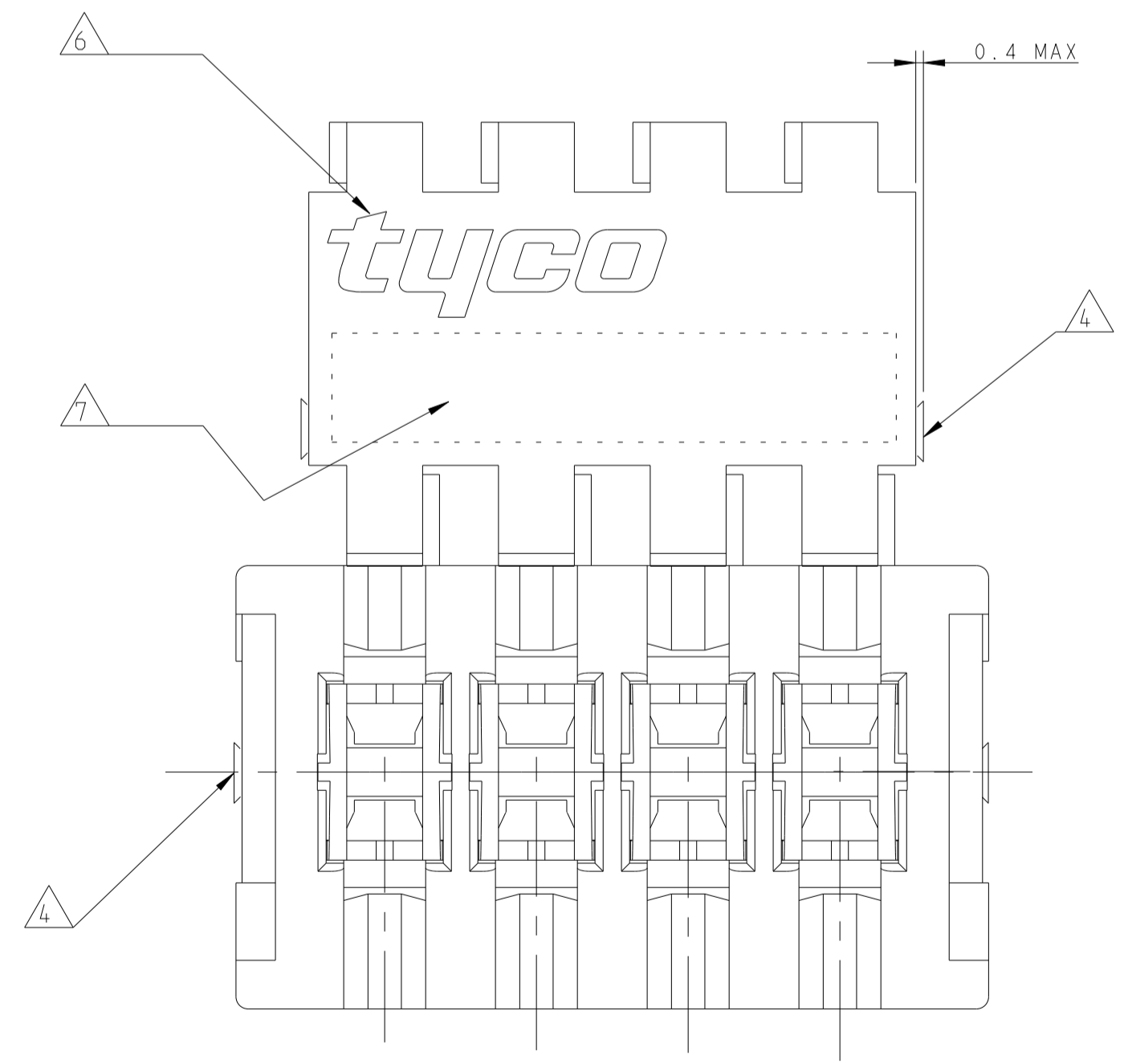


REVISONS		DATE	OWN	APVD
C2	ECR-22-128794	10FEB2022	DC	FL
C3	ECR-22-134224	04APR2022	DC	FL
C4	ECR-22-162225	16JAN2023	DC	FL



P/N 0-284930-3 AS SHOWN



- ① WIRE RANGE : STRANDED 0.22-0.35 mm² (INS. DIA. 1.30±0.1)
- ② MATING PART: TAB HEADER P/Ns 1971817, 1971818 AND EQUIVALENT;
PCB FRAME P/N 964575 (PCB THK 1.5±0.14 COPPER CLADDING INCLUDED)
SEE PRODUCT SPEC. 108-18056 FOR FRAME APPLICATION
- ③ KEYING RIBS TO BE REMOVED BY TERMINATION MACHINE
- ④ CUT OFF DIMENSION DUE TO PRODUCTION PROCESS
- ⑤ CIRCUIT No. IDENTIFICATION
- ⑥ TYCO ELECTRONICS TRADEMARK (OPTIONAL POSITION)
- ⑦ TAMOGRAPHIC COLOUR CODE AREA
(P/Ns IDENTIFICATION BEFORE CRIMPING)
- ⑧ OBSOLETE PARTS: OBSOLETE CIS STREAMLINING PER D.RENAUD/D.SINISI
- ⑨ PBT GF
- ⑩ PA GF, UL94-V0 & GWPT 750°C NO FLAME, NATURAL
- ⑪ PRELIMINARY PN NOT FOR PRODUCTION
- ⑬ ALTERNATIVE RESIN PBT GF
- ⑬ PART RELEASED WITHOUT EXTENSIVE TERMINATION TESTS

OBsolete	NATURAL	13	30.0	34.9	5x	1-284930-3	-	1-2402726-3
	-	11	25.0	29.9	6x	1-284930-1	⑬ 2311501-1	1-2402726-1
OBsolete	NATURAL	10	22.5	27.4	6x	1-284930-0	-	1-2402726-0
	NATURAL	9	20.0	24.9	7x	284930-9	⑪ -	2402726-9
OBsolete	NATURAL	8	17.5	22.4	8x	0-284930-8	-	2-2402726-8
	-	8	17.5	22.4	8x	0-284930-8	2311500-8	2402726-8
	-	7	15.0	19.9	8x	0-284930-7	2311500-7	2402726-7
	BLUE	6	12.5	17.4	10x	2-284930-6	1-2311500-6	2-2402726-6
	-	6	12.5	17.4	10x	0-284930-6	2311500-6	2402726-6
OBsolete	NATURAL	5	10.0	14.9	11x	2-284930-5	-	2-2402726-5
	-	5	10.0	14.9	11x	0-284930-5	2311500-5	2402726-5
OBsolete	NATURAL	4	7.5	12.4	13x	3-284930-4	-	3-2402726-4
	RED	4	7.5	12.4	13x	2-284930-4	1-2311500-4	2-2402726-4
	-	4	7.5	12.4	13x	0-284930-4	2311500-4	2402726-4
OBsolete	NATURAL	3	5.0	9.9	16x	5-284930-3	-	5-2402726-3
OBsolete	BLUE	3	5.0	9.9	16x	4-284930-3	-	4-2402726-3
OBsolete	BROWN	3	5.0	9.9	16x	3-284930-3	-	3-2402726-3
	GREEN	3	5.0	9.9	16x	2-284930-3	2-2311500-3	2-2402726-3
	-	3	5.0	9.9	16x	0-284930-3	1-2311500-3	2402726-3
	COLOUR CODE	HSG POS	DIM.A	DIM.B	⑨ TE P/N	⑩ TE P/N	⑬ TE P/N	

SEE TABLE	PH. BRONZE, TIN PLATED	IDC RECEPTACLE CONTACT	2	DIMENSIONS: mm	TOLERANCES UNLESS OTHERWISE SPECIFIED: 0 PLC ±0.2 1 PLC ±0.2 2 PLC ±0.2 3 PLC ±0.2 4 PLC ±0.2 ANGLES ±1° FINISH -	THIS DRAWING IS A CONTROLLED DOCUMENT.	OWN R. FABRIS 27FEB2004	TE Connectivity DUOPLUG 2.5 FEMALE CONNECTOR STANDARD VERSION (FULLY LOADED)
SEE TABLE	PBT GLASS FIBER FILLED	FEMALE HOUSING	1			APVD G. TURCO 27FEB2004	NAME	
Q.TY	MATERIAL	DESCRIPTION	ITEM	MATERIAL SEE TABLE	FINISH	APPLICATION SPEC 108-18056	SIZE CAGE CODE DRAWING NO 114-18049-1	RESTRICTED TO
REVISIONE DELL'ASSEMBLATO (REVISION OF EACH ASSY NO)			ELENCO DEI COMPONENTI (PARTS LIST)		WEIGHT		SCALE 5:1	SHEET 1 OF 1
CUSTOMER DRAWING						A100779C=284930		REV C4