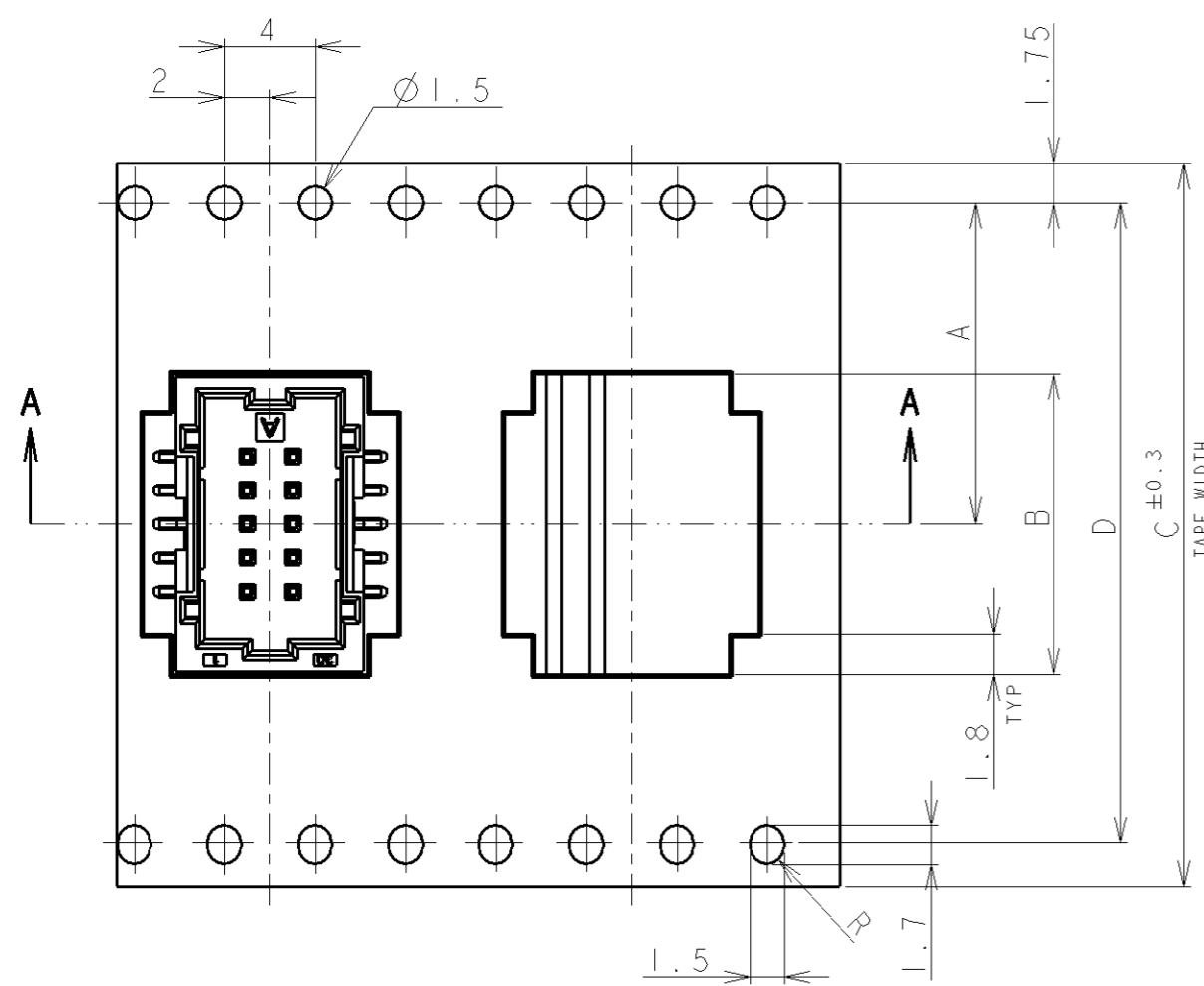
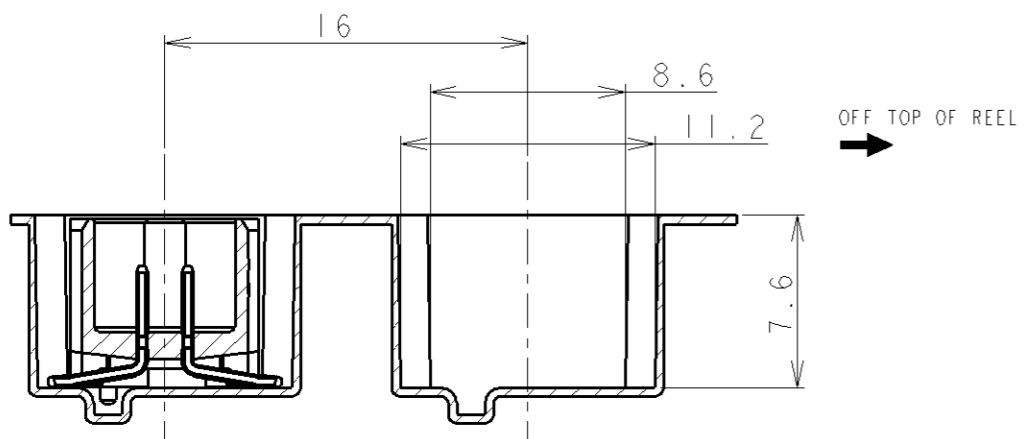
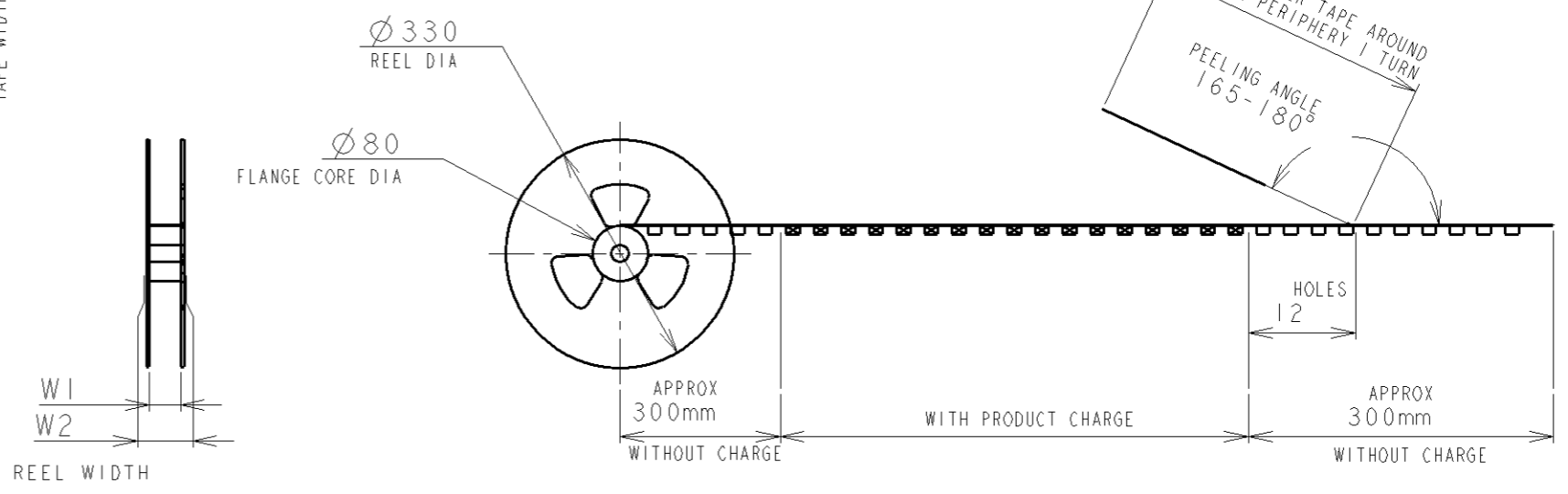
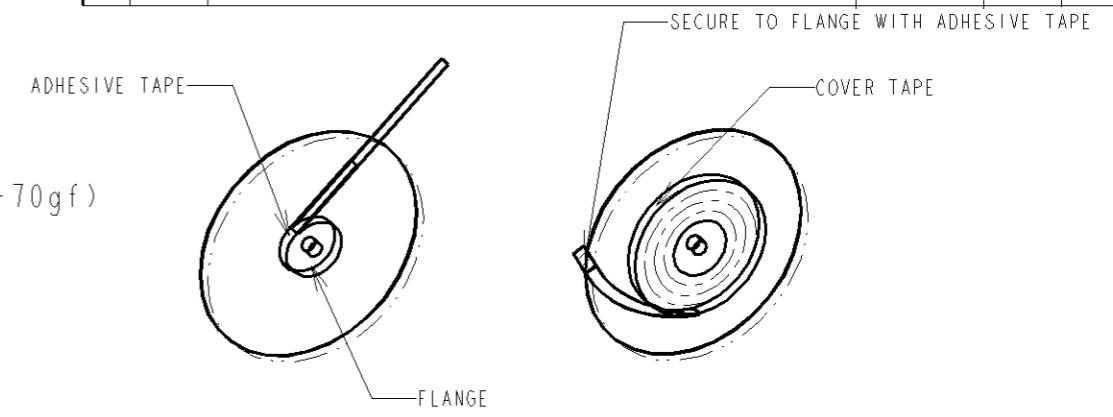


| LOC | DIST | REVISIONS | | | |
|-----|------|-------------|---------------|---------|---------|
| P | LTR | DESCRIPTION | DATE | DWN | APVD |
| ES | 00 | B2 | ECR-21-120631 | 12NOV21 | T.Q N.S |



NOTE:
 1. PEELING STRENGTH: 0.20-0.69N(20-70gf)
 PEELING ANGLE: 165-180°
 PEELING SPEED: 300mm/MINUTE.



SECT A-A

TOLERANCES UNLESS OTHERWISE SPECIFIED:

| | |
|--------------|---------|
| 10 > | : ±0.2 |
| 30 > * > 10 | : ±0.25 |
| 100 > * > 30 | : ±0.3 |
| ANGLE | : ±3° |

| | | | | | |
|-------------------------------------------------------------------------------------------------------------------------------------------------------------------------------|--|------------------|------------------|---------|------------------------------------------------------------------------------------------------------------------------------------|
| THIS DRAWING IS A CONTROLLED DOCUMENT FOR AMP INCORPORATED. IT IS SUBJECT TO CHANGE AND THE CONTROLLING ENGINEERING ORGANIZATION SHOULD BE CONTACTED FOR THE LATEST REVISION. | | DWN | S. XU | 31JAN03 | Tyco Electronics Corporation SHANGHAI, CHINA |
| DIMENSIONS: mm | | CHK | S. YAO | 31JAN03 | |
| TOLERANCES UNLESS OTHERWISE SPECIFIED: | | APVD | T. SASAKI | 31JAN03 | |
| 0 PLC ±- 1 PLC ±0.1 2 PLC ±0.15 3 PLC ±0.001 4 PLC ±0.0001 ANGLES ±- | | PRODUCT SPEC | 108-60018 | | |
| MATERIAL | | APPLICATION SPEC | 114-5223 | | NAME |
| FINISH | | WGT | CUSTOMER DRAWING | | AMP Mini Common Terminated (CT) Connector 1.5mm PITCH DOUBLE ROW POST HDR ASS'Y (V) SMT TYPE WITH BOSS, EMBOSS TAPE PACKAGED |
| | | SCALE | NON | | SIZE |
| | | SHEET | 1 of 4 | | CAGE CODE |
| | | REV | B2 | | DRAWING NO |
| | | | A3 | | 00779 |
| | | | C-292229 | | RESTRICTED TO |


| | | | | | | | |
|-----|------|-----------|-----|-------------|------|-----|------|
| LOC | DIST | REVISIONS | | | | | |
| FB | 00 | P | LTR | DESCRIPTION | DATE | DWN | APVD |
| | | | | | | | |

| | | | | | | | | | |
|------------|------|------|----|------|------|----------|-----|-------|-------------|
| 62.4 | 56.4 | 52.4 | 56 | 35.8 | 26.2 | 400 | 40 | BLACK | 9-292229-0 |
| 50.4 | 44.4 | 40.4 | 44 | 34.3 | 20.2 | 400 | 38 | | 8-292229-8 |
| 50.4 | 44.4 | 40.4 | 44 | 32.8 | 20.2 | 400 | 36 | | 8-292229-6 |
| 50.4 | 44.4 | 40.4 | 44 | 31.3 | 20.2 | 400 | 34 | | 8-292229-4 |
| 50.4 | 44.4 | 40.4 | 44 | 29.8 | 20.2 | 400 | 32 | | 8-292229-2 |
| 50.4 | 44.4 | 40.4 | 44 | 28.3 | 20.2 | 400 | 30 | | 8-292229-0 |
| 50.4 | 44.4 | 40.4 | 44 | 26.8 | 20.2 | 400 | 28 | | 7-292229-8 |
| 50.4 | 44.4 | 40.4 | 44 | 25.3 | 20.2 | 400 | 26 | | 7-292229-6 |
| 50.4 | 44.4 | 40.4 | 44 | 23.8 | 20.2 | 400 | 24 | | 7-292229-4 |
| 50.4 | 44.4 | 40.4 | 44 | 22.3 | 20.2 | 400 | 22 | | 7-292229-2 |
| W2 | W1 | D | C | B | A | QTY/REEL | POS | COLOR | ON TAPE P/N |
| DIMENSIONS | | | | | | | | | |

| | | | | | | | | | |
|------------|------|------|----|------|------|----------|-----|-------|-------------|
| 62.4 | 56.4 | 52.4 | 56 | 35.8 | 26.2 | 400 | 40 | BEIGE | 4-292229-0 |
| 50.4 | 44.4 | 40.4 | 44 | 34.3 | 20.2 | 400 | 38 | | 3-292229-8 |
| 50.4 | 44.4 | 40.4 | 44 | 32.8 | 20.2 | 400 | 36 | | 3-292229-6 |
| 50.4 | 44.4 | 40.4 | 44 | 31.3 | 20.2 | 400 | 34 | | 3-292229-4 |
| 50.4 | 44.4 | 40.4 | 44 | 29.8 | 20.2 | 400 | 32 | | 3-292229-2 |
| 50.4 | 44.4 | 40.4 | 44 | 28.3 | 20.2 | 400 | 30 | | 3-292229-0 |
| 50.4 | 44.4 | 40.4 | 44 | 26.8 | 20.2 | 400 | 28 | | 2-292229-8 |
| 50.4 | 44.4 | 40.4 | 44 | 25.3 | 20.2 | 400 | 26 | | 2-292229-6 |
| 50.4 | 44.4 | 40.4 | 44 | 23.8 | 20.2 | 400 | 24 | | 2-292229-4 |
| 50.4 | 44.4 | 40.4 | 44 | 22.3 | 20.2 | 400 | 22 | | 2-292229-2 |
| W2 | W1 | D | C | B | A | QTY/REEL | POS | COLOR | ON TAPE P/N |
| DIMENSIONS | | | | | | | | | |

THIS DRAWING IS UNPUBLISHED.

COPYRIGHT © BY TYCO ELECTRONICS CORPORATION. ALL RIGHTS RESERVED.

| | | | | | |
|----------------------------------------|------------------|-------------------------------------------------------------------------------------------------------------------------------------|-----------|---------------------------|---------------|
| DIMENSIONS: mm | DWN | WIRE RANGE | | INSULATION DIA | |
| | CHK | MATERIAL | | FINISH | |
| TOLERANCES UNLESS OTHERWISE SPECIFIED: | APVD |  Tyco Electronics Corporation SHANGHAI, CHINA | | | |
| 0 PLC ±- | PRODUCT SPEC | NAME AMP Mini Common Terminated (CT) Connector 1.5mm PITCH | | | |
| 1 PLC ±0.1 | SEE SHEET 1 OF 4 | DOUBLE ROW POST HDR ASS'Y (V) | | | |
| 2 PLC ±0.15 | APPLICATION SPEC | SMT TYPE WITH BOSS, EMBOSS TAPE PACKAGED | | | |
| 3 PLC ±0.001 | SEE SHEET 1 OF 4 | SIZE | CAGE CODE | DRAWING NO | RESTRICTED TO |
| 4 PLC ±0.0001 | WEIGHT | A4 | 00779 | C-292229 | - |
| ANGLES ±- | CUSTOMER DRAWING | SCALE NON | | SHEET 2 OF 4 | REV B2 |

4

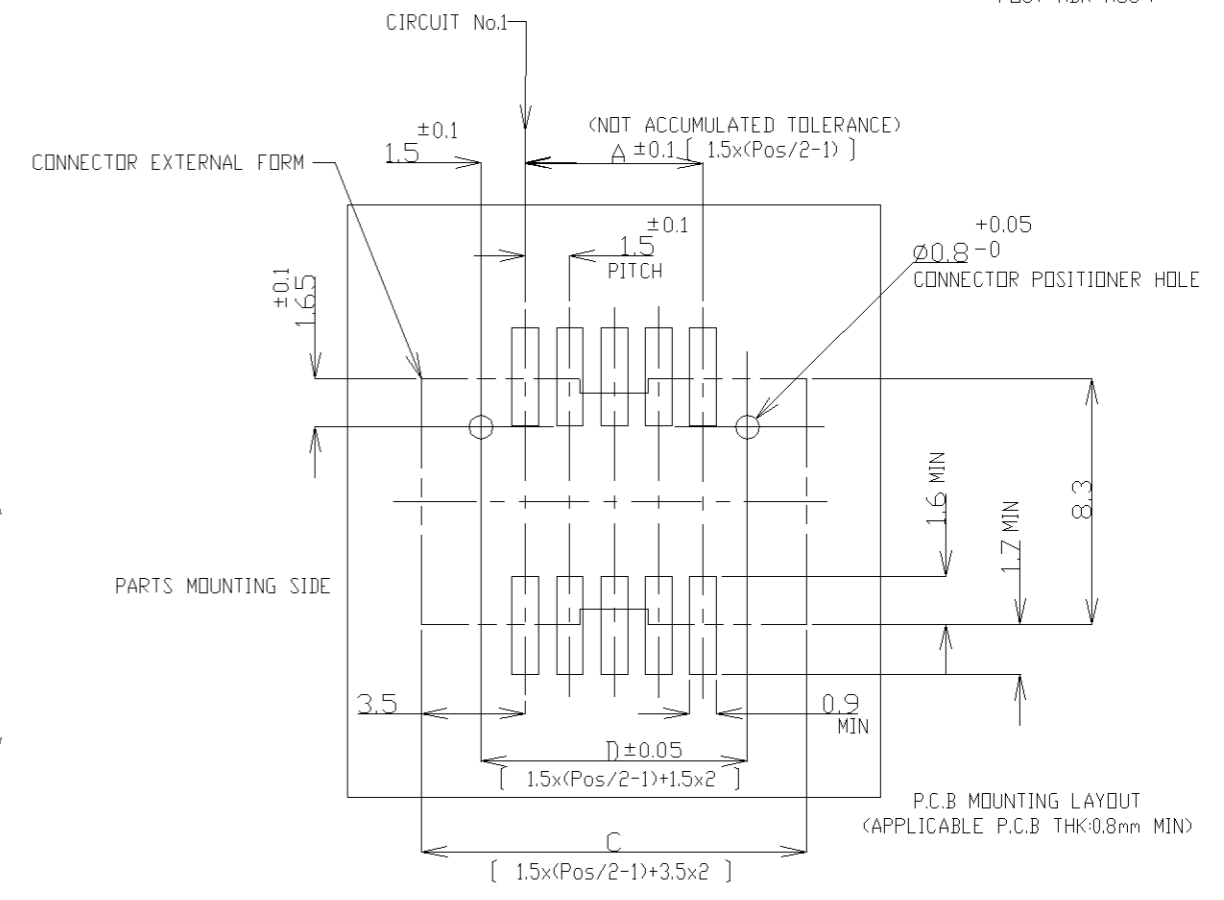
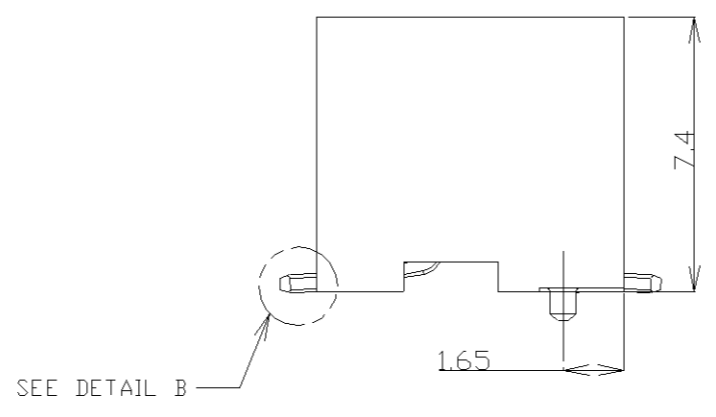
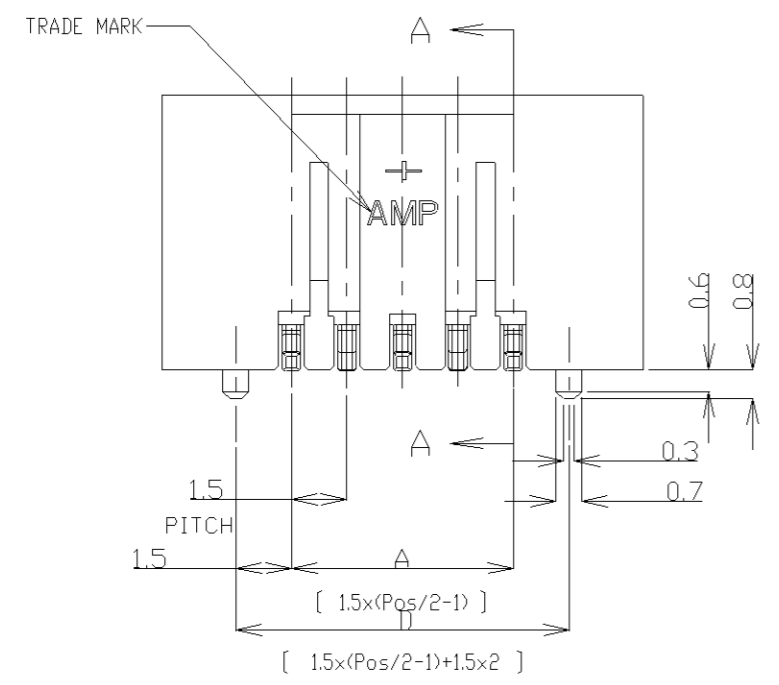
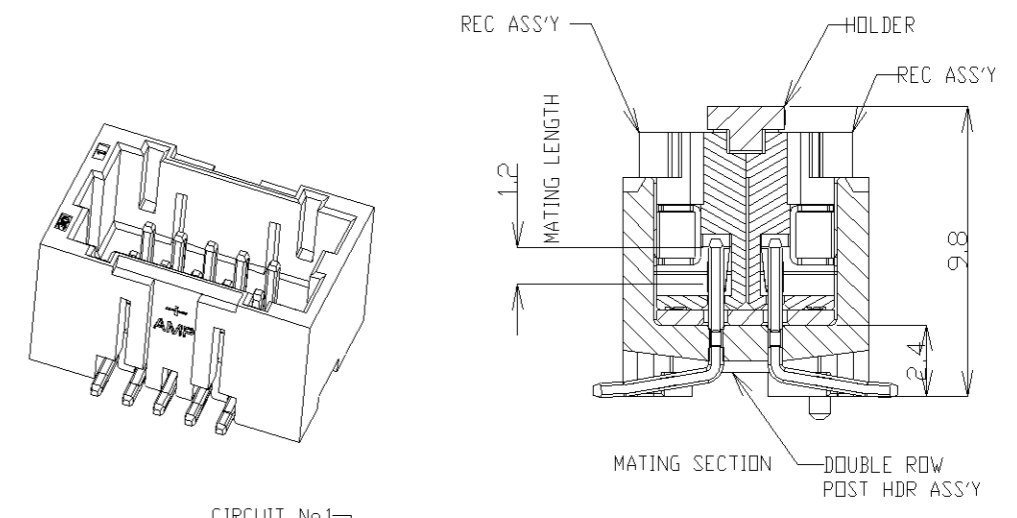
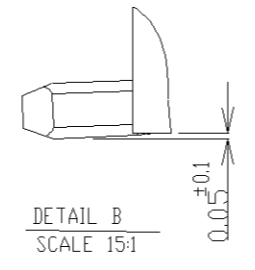
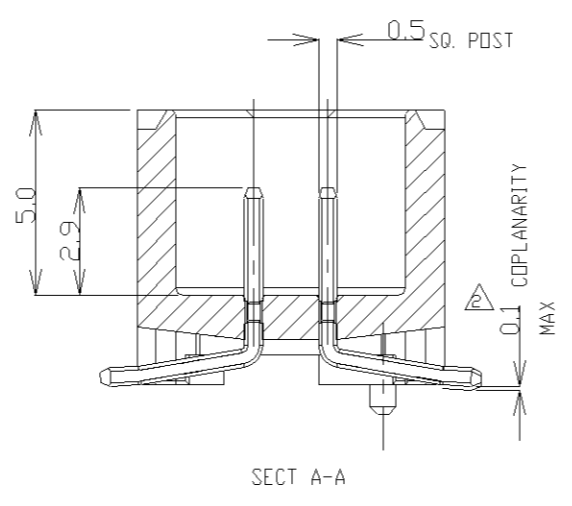
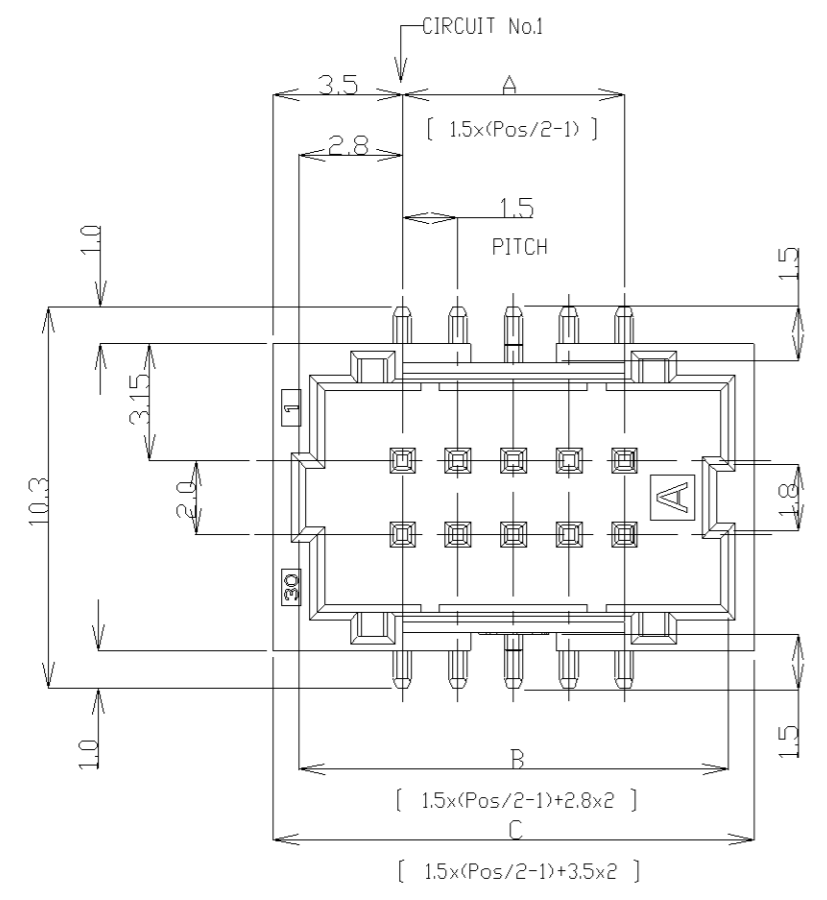
3

2

1

THIS DRAWING IS UNPUBLISHED. RELEASED FOR PUBLICATION
 © COPYRIGHT BY TYCO ELECTRONICS CORPORATION. ALL INTERNATIONAL RIGHTS RESERVED.

| LOC | DIST | REVISIONS | | | | |
|-----|------|-------------|------|-----|------|--|
| P | LTR | DESCRIPTION | DATE | DWN | APVD | |
| ES | 00 | | | | | |



NOTES:
 1. MATERIAL:
 HOUSING-HIGH HEAT RESISTANT, GLASS FILLED NYLON, UL94V-0, COLOR:BEIGE, BLACK
 POST:Sn-100% BRASS WIRE
 TO BE MEASURED WITH CONNECTOR PLACED ON HORIZONTAL DATUM SURFACE,
 FLOAT OF SOLDER TINE FROM DATUM SURFACE IS 0.1mm MAX.

TOLERANCES UNLESS OTHERWISE SPECIFIED:

| | |
|----------|-------|
| 10 > | ±0.2 |
| 30 > 10 | ±0.25 |
| 100 > 30 | ±0.3 |
| ANGLE | ±3° |

THIS DRAWING IS A CONTROLLED DOCUMENT.

| | |
|-------------|----------------------------------------|
| DIMENSIONS: | TOLERANCES UNLESS OTHERWISE SPECIFIED: |
| mm | |
| | 0 PLC ± |
| | 1 PLC ± |
| | 2 PLC ± |
| | 3 PLC ± |
| | 4 PLC ± |
| | ANGLES ± |
| MATERIAL | FINISH |
| SEE NOTE 1 | SEE NOTE 1 |

| | | | |
|------------------|-----------------------------------------------------------------------------------------------------------|--------------------------------------------------------------|---------------|
| DWN | --- | Tyco Electronics Corporation Shanghai, P.R. China, 200233 | |
| CHK | --- | | |
| APVD | --- | | |
| PRODUCT SPEC | --- | | |
| APPLICATION SPEC | --- | | |
| NAME | AMP Mini Common Terminated (CT) Connector 1.5mm PITCH DBL ROW POST HDR ASS'Y (V) SMT TYPE WITH BOSS | | |
| SIZE | CAGE CODE | DRAWING NO | RESTRICTED TO |
| A3 | 00779 | C=292229 | --- |
| CUSTOMER DRAWING | | SCALE | SHEET |
| | | NON | 3 of 4 |
| | | | REV B2 |

| LOC | DIST | REVISIONS | | | | | | |
|-----|------|-----------|-----|-------------|------|-----|------|---|
| | | P | LTR | DESCRIPTION | DATE | DWN | APVD | |
| — | — | | — | — | | — | — | — |

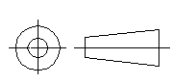
| | | | | | | |
|------------|------|------|------|------|------------|------------|
| 31.5 | 35.5 | 34.1 | 28.5 | 40 | 9-292229-0 | 4-292229-0 |
| 30.0 | 34.0 | 22.6 | 27.0 | 38 | 8-292229-8 | 3-292229-8 |
| 28.5 | 32.5 | 31.1 | 25.5 | 36 | 8-292229-6 | 3-292229-6 |
| 27.0 | 31.0 | 29.6 | 24.0 | 34 | 8-292229-4 | 3-292229-4 |
| 25.5 | 29.5 | 28.1 | 22.5 | 32 | 8-292229-2 | 3-292229-2 |
| 24.0 | 28.0 | 26.6 | 21.0 | 30 | 8-292229-0 | 3-292229-0 |
| 22.5 | 26.5 | 25.1 | 19.5 | 28 | 7-292229-8 | 2-292229-8 |
| 21.0 | 25.0 | 23.6 | 18.0 | 26 | 7-292229-6 | 2-292229-6 |
| 19.5 | 23.5 | 22.1 | 16.5 | 24 | 7-292229-4 | 2-292229-4 |
| 18.0 | 22.0 | 20.6 | 15.0 | 22 | 7-292229-2 | 2-292229-2 |
| D | C | B | A | Pos. | BLACK | BEIGE |
| DIMENSIONS | | | | | P/N | |

THIS DRAWING IS UNPUBLISHED.

ALL INTERNATIONAL RIGHTS RESERVED.

© COPYRIGHT BY TYCO ELECTRONICS CORPORATION.

THIS DRAWING IS UNPUBLISHED.

| | | | |
|-------------------------------------------------------------------------------------|------------------|---------------------------------------------------------------------------------------------------------|---------------|
| DIMENSIONS: mm | DWN | MATERIAL | FINISH |
| | CHK | Tyco Electronics Corporation Shanghai, P.R. China, 200233 | |
| TOLERANCES UNLESS OTHERWISE SPECIFIED: | APVD | Tyco Electronics Corporation Shanghai, P.R. China, 200233 | |
| 0 PLC ± - | PRODUCT SPEC | NAME AMP Mini Common Terminated (CT) Conn. 1.5mm PITCH DBL ROW POST HDR ASS'Y (V) SMT TYPE W BOSS | |
| 1 PLC ± - | APPLICATION SPEC | SIZE | CAGE CODE |
| 2 PLC ± - | | A4 | 00779 |
| 3 PLC ± - | | DRAWING NO | RESTRICTED TO |
| 4 PLC ± - | | C-292229 | — |
| ANGLES ± - | WEIGHT | CUSTOMER DRAWING | |
|  | | SCALE | SHEET |
| | | NON | 4 of 4 |
| | | | REV B2 |