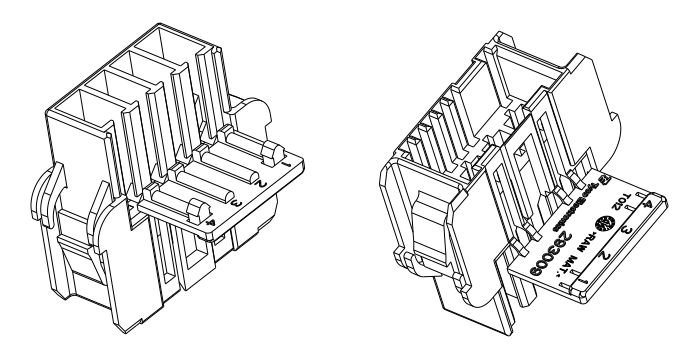


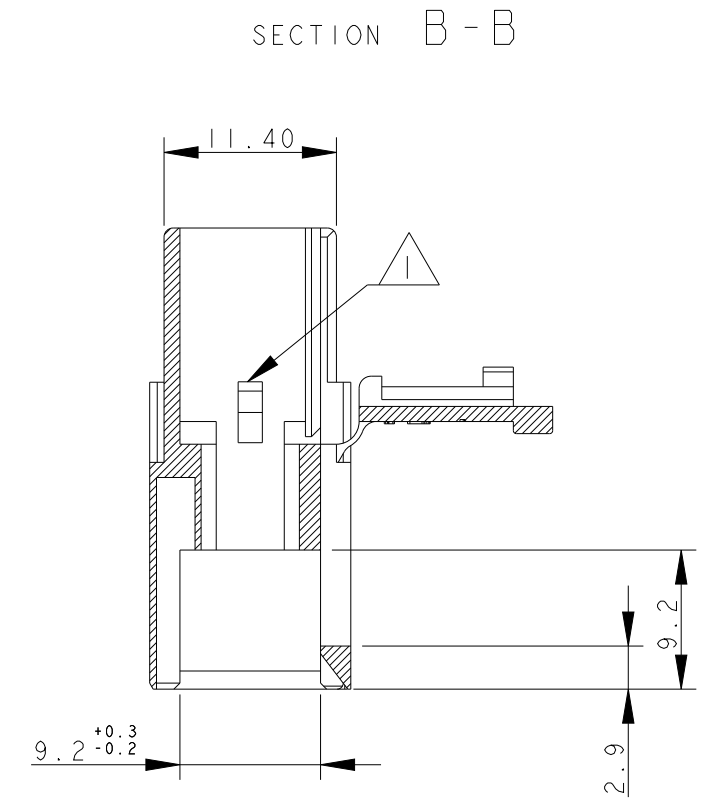
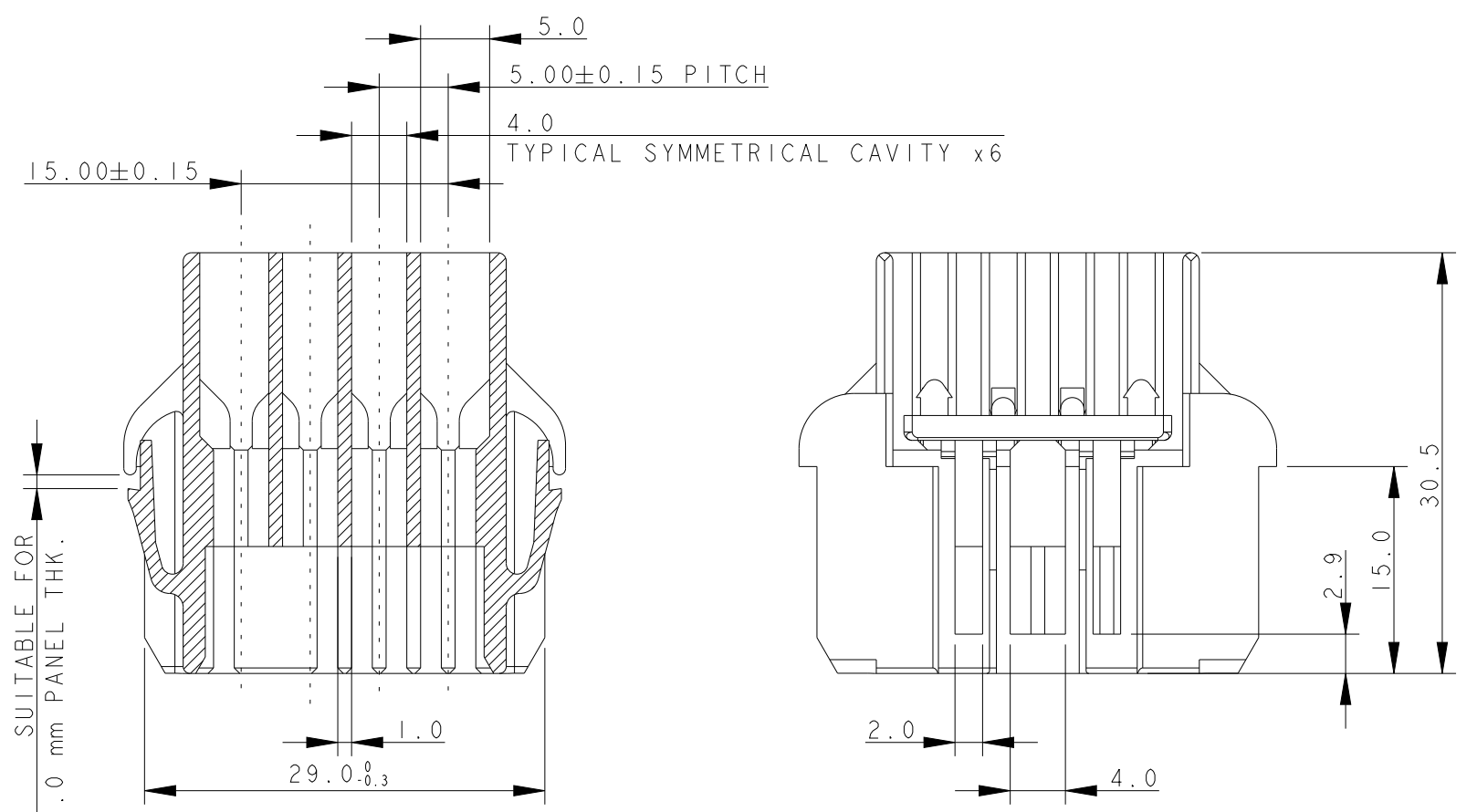
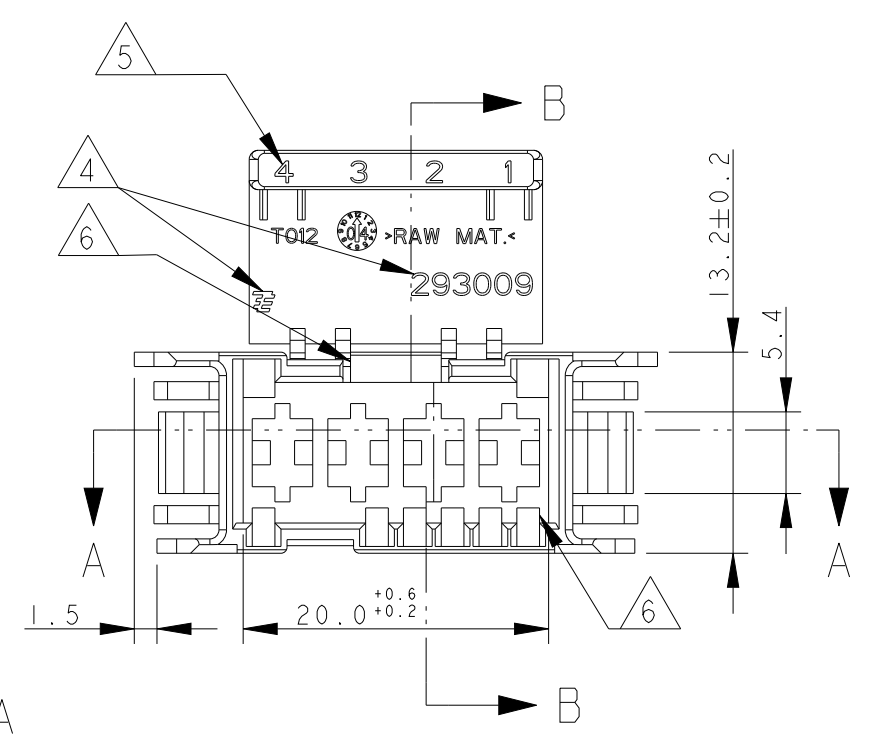
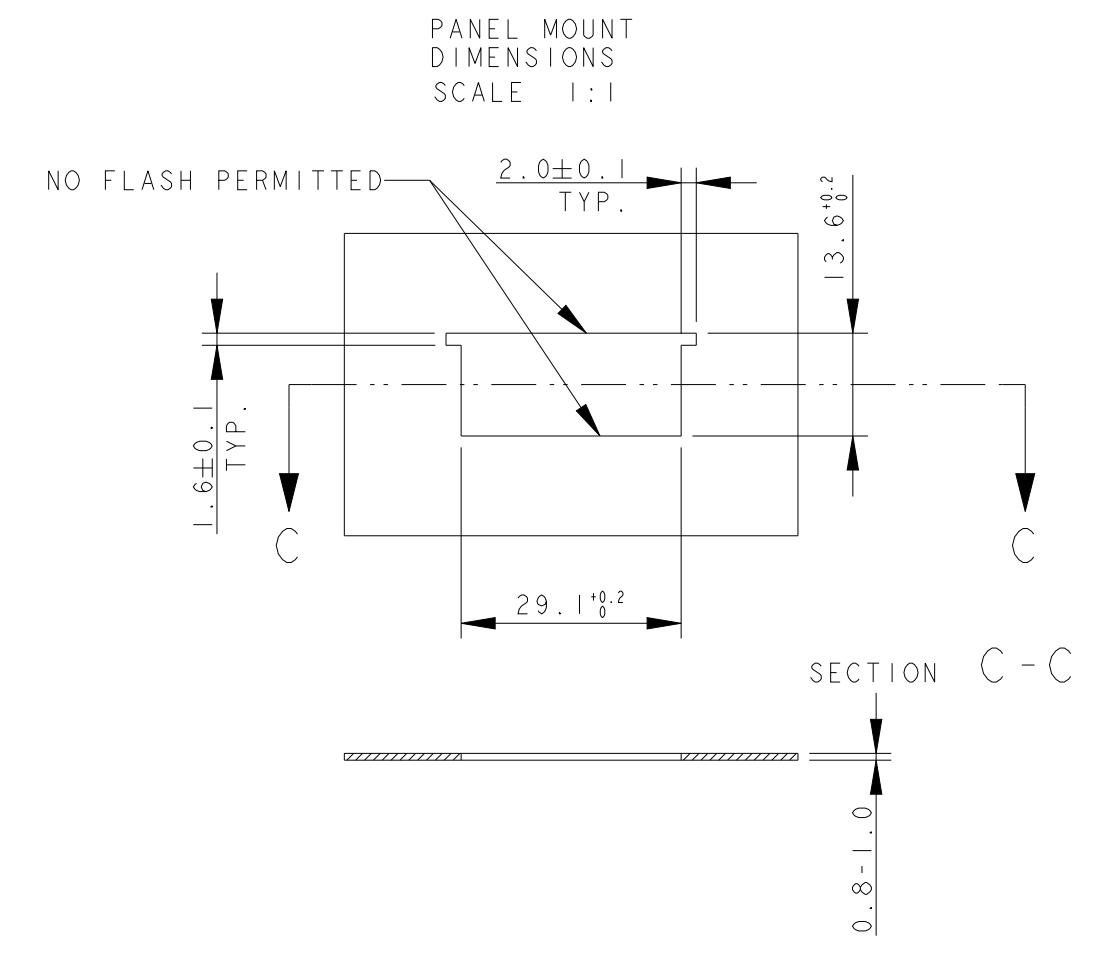
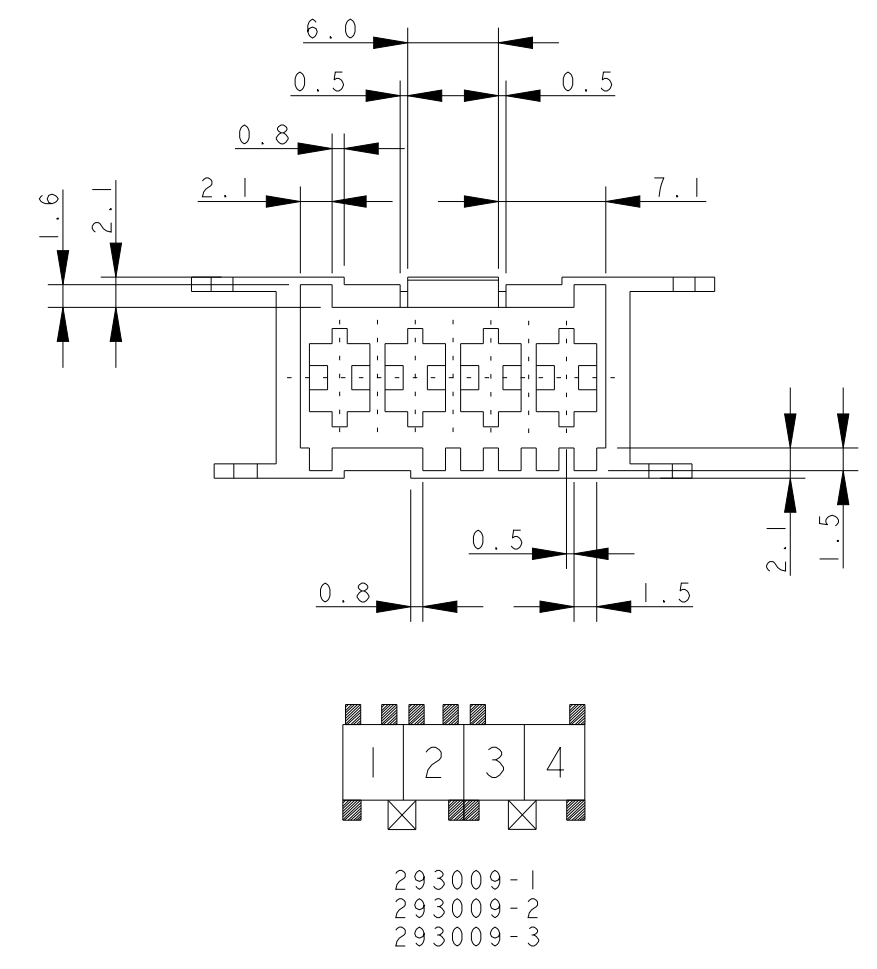
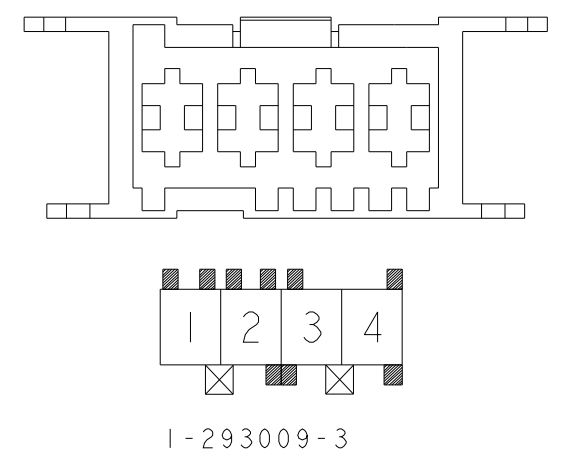
THIS DRAWING IS UNPUBLISHED. RELEASED FOR PUBLICATION 2003  
 © COPYRIGHT 2003 BY TYCO ELECTRONICS CORPORATION. ALL RIGHTS RESERVED.

LOC		DIST		REVISIONS			
P	LTR	DESCRIPTION	DATE	DWN	APVD		
B2		P/N 293009-3 ADDED AS PRELIMINARY	02 DEC 2009	PKS	RRP		
B3		PN 293009-3 RELEASED	10MAR2011	PKS	MP		
B4		REVISED PER ECR-21-102873	17MAY2021	PJ	FL		
B5		ECR-22-134605	01APR2022	SM	FL		

### POLARIZATION KEYS SCHEME



SCALE 1:1



- 1) TYPICAL CAVITY SUITABLE FOR:  
FASTIN-FASTON TAB CONTACTS 6.3 mm SRS:  
P/N: 60294, 0.3-0.8 mm<sup>2</sup> WIRE RANGE  
160691, 0.3-0.8 mm<sup>2</sup> WIRE RANGE  
AMPLIVAR CONTACTS:  
P/N: 141051, 0.1-0.5 mm<sup>2</sup> WIRE RANGE  
142411, 0.3-1.6 mm<sup>2</sup> WIRE RANGE  
MAX. INSULATION DIA. 2.8 mm,  
MAX. INSULATION CRIMP WIDTH 3.3 mm.
- 2) PA6 UNFILLED, UL 94-V2, NATURE COLOUR ACCORDING TO IEC 60335-1 NORM.
- 3) PA66 UNFILLED, UL 94-V2, NATURE COLOUR
- 4) TE TRADEMARK "LOGO" AND TYCO ELECTRONICS "PART NUMBER" OPTIONAL POSITION.
- 5) CIRCUIT IDENTIFICATION NUMBERS, 1 TO 4
- 6) POLARIZATION KEYS DIMENSIONS AND POSITIONS ARE ACCORDING TO "RAST 5" NORM RAST CODE 04-B, 04-C, 04-F, 04-G.
- 7) PA66 UNFILLED, UL 94-V0 GWT, NATURE COLOUR
- 8) PRELIMINARY PART, NOT YET RELEASED FOR PRODUCTION

NATURAL	SEE NOTE 7	1-293009-3
NATURALE (NATUR)	VEDI NOTA 7 (SEE NOTE 7)	293009-3
NATURALE (NATUR)	VEDI NOTA 3 (SEE NOTE 3)	293009-2
NATURALE (NATUR)	VEDI NOTA 2 (SEE NOTE 2)	293009-1
COLORE (COLOUR)	MATERIALE (MATERIAL)	NUMERO (TE P/N)

P/N 293009-1, 293009-2, 293009-3 AS SHOWN

THIS DRAWING IS A CONTROLLED DOCUMENT FOR TYCO ELECTRONICS CORPORATION. IT IS SUBJECT TO CHANGE AND THE CONTROLLING ENGINEERING ORGANIZATION SHOULD BE CONTACTED FOR THE LATEST REVISION.

DWN: H. YAALI 29 JAN 2004  
 CHK: C. TARTARI  
 APVD: -

PRODUCT SPEC: 108-20256  
 APPLICATION SPEC: -  
 WEIGHT: -

MATERIAL: SEE TABLE  
 FINISH: SEE TABLE

Customer Drawing: SCALE 5:1 SHEET 1 OF 1 REV B5

Tyco Electronics AMP Italia S.p.A.  
 C.so F. Cervi, 15 COLLEGGIO (TO)

NAME: 4 POS. FASTIN-FASTON Connector TAB HOUSING, RAST 5 0.8-1.0 MM THK. PANEL MOUNT VERSION  
 SIZE: A2 CAGE CODE: 00779 DRAWING NO: C-293009 RESTRICTED TO