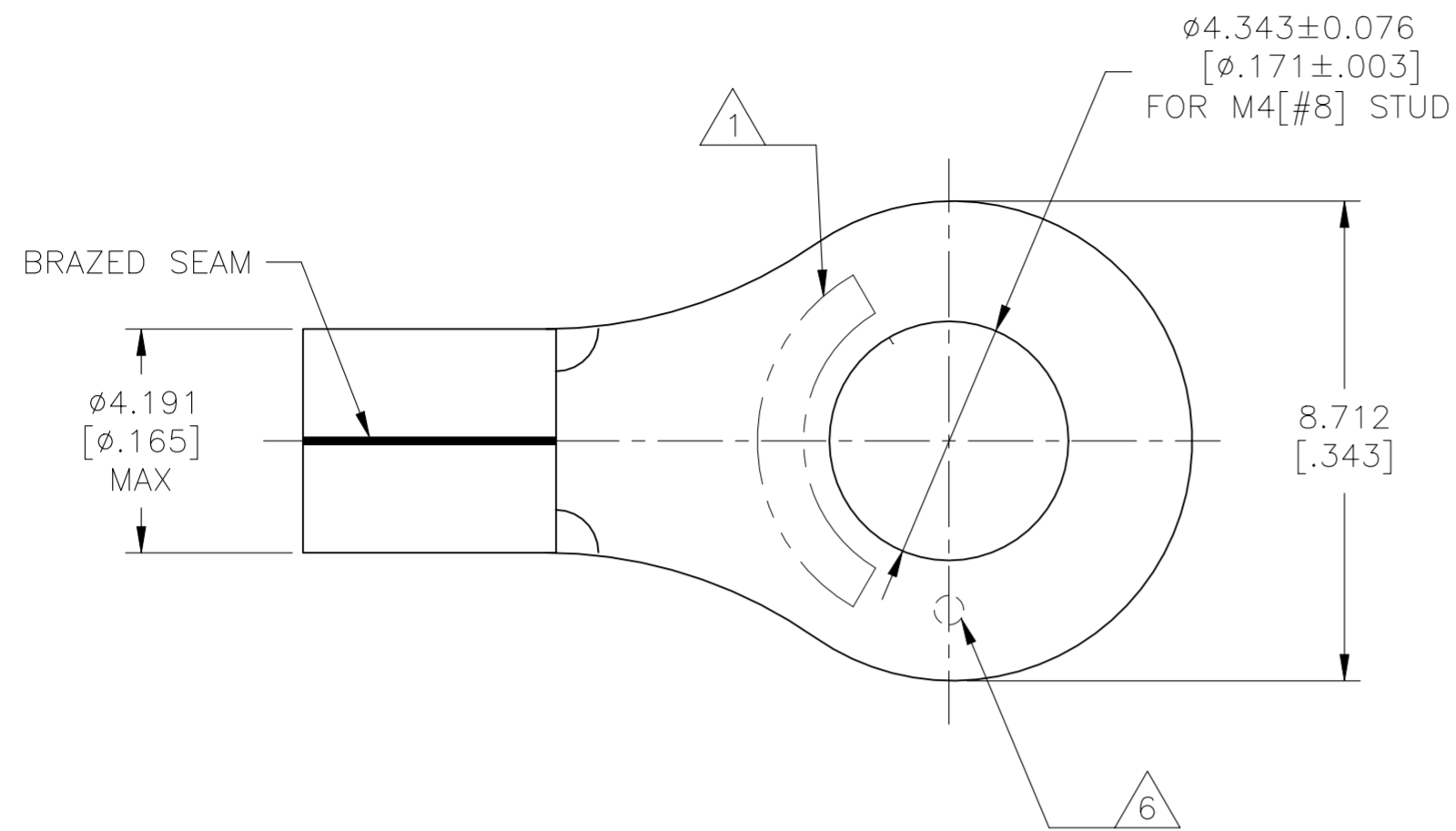


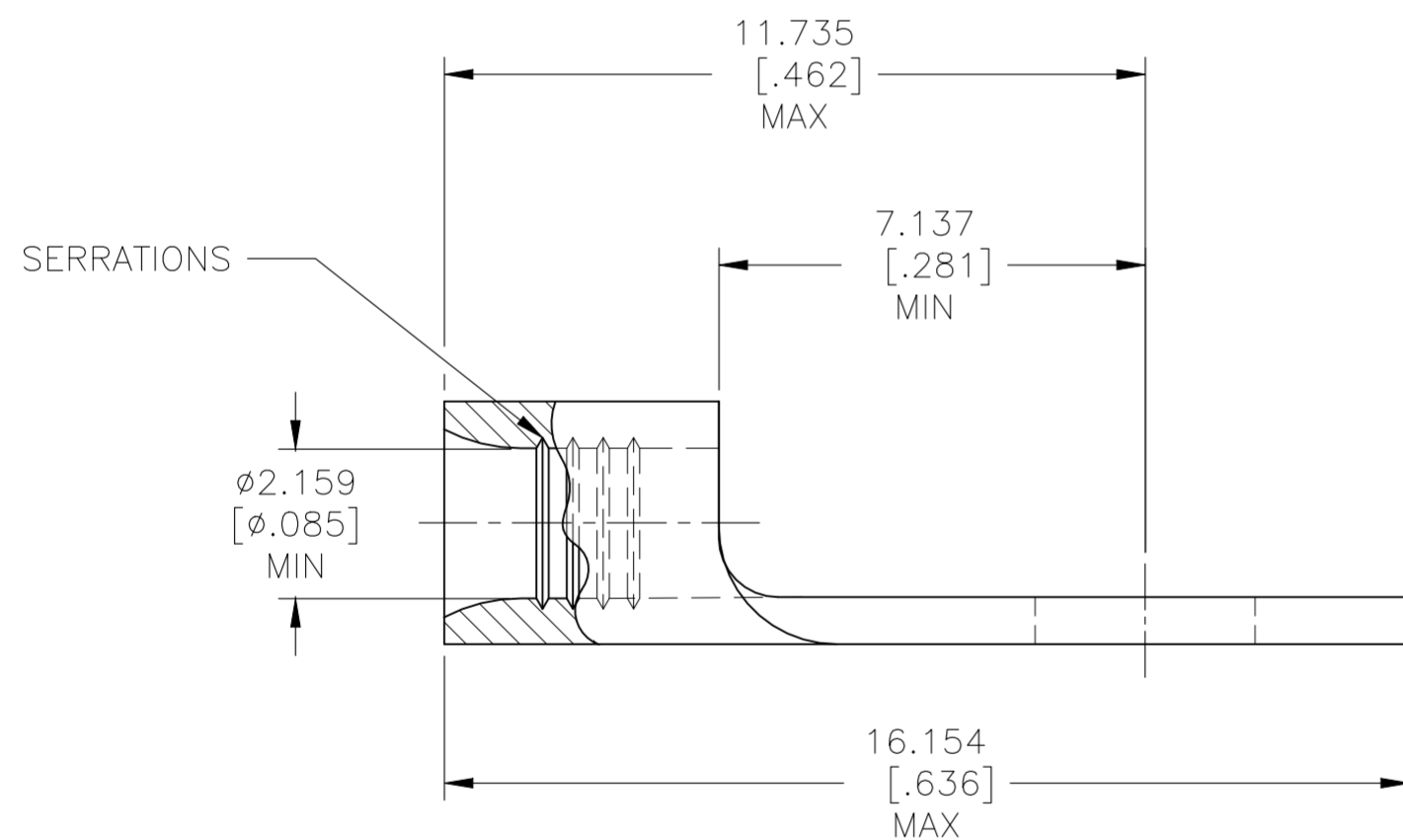
REVISIONS				
P	LTR	DESCRIPTION	DATE	APVD
H		REVISED PER ECR-23-181664	08AUG2023	SA DSC



AMP
WIRE RANGE

16-14 AWG
SOLID OR STRANDED

- 1 STAMP AMP 16-14* APPROX AS SHOWN
- 2 MATERIAL: COPPER PER ASTM B152, ANNEALED
- 3 NICKEL PLATE 0.00762(.000300)MIN EXT THK PER SAE AMS QQ-N-290
- 4 GOLD PLATE 0.00127(.000050)MIN EXT THK PER ASTM B488 TYPE 1, CODE C OVER NICKEL PLATE 0.00127[.000050] MIN EXT THK PER SAE AMS QQ-N-290 OVER Cu FLASH PER SAE AMS 2418.
- 5 BODY MATERIAL THK: 0.787±0.051[.031±.002]
- 6 DIMPLE STAMP MARK OPTIONAL



4	260°C[500°F]	1000	LOOSE PIECE	2-322694-3
3	343°C[649°F]	1000	LOOSE PIECE	322694
FINISH	MAX TEMP	QTY	PACKAGE TYPE	PART NO

AMP INCORPORATED CUSTOMER SERVICE SYSTEMS		MAX RECOMMENDED OPERATING TEMPERATURE: SEE TABLE
FOR ADDITIONAL PRODUCT INFORMATION OR COPIES OF DRAWINGS AND TECHNICAL DOCUMENTS	PRODUCT INFORMATION CENTER 1-800-522-6752	VOLTAGE RATING: N/A
FOR APPLICATION TOOLING INFORMATION	TOOLING ASSISTANCE CENTER 1-800-722-1111	CIRCULAR MIL AREA: 1.04-2.62mm²[2.050-5.180] SOLID OR STRANDED
FOR ORDER ENTRY	1-800-526-5142	THIS DRAWING IS A CONTROLLED DOCUMENT FOR AMP INCORPORATED. IT IS SUBJECT TO CHANGE AND THE CONTROLLING ENGINEERING ORGANIZATION SHOULD BE CONTACTED FOR THE LATEST REVISION.

THIS DRAWING IS A CONTROLLED DOCUMENT.		DWN TA BRINKMAN 4-19-93	TE TE Connectivity		
DIMENSIONS: mm [INCHES]		CHK DA PATTERSON 4-19-93			
TOLERANCES UNLESS OTHERWISE SPECIFIED:		APVD DA PATTERSON 4-19-93	NAME TERMINAL, RING TONGUE HEAT RESISTANT, STRATO-THERM, WIRE SIZE: 16-14 AWG		
0 PLC ± - 1 PLC ± - 2 PLC ± - 3 PLC ± 0.127[.005] 4 PLC ± - ANGLES ± -		PRODUCT SPEC APPLICATION SPEC	SIZE A2	CAGE CODE 00779	DRAWING NO C=322694
MATERIAL 2	FINISH SEE TABLE	WEIGHT -	SCALE 8:1	SHEET 1 OF 1	RESTRICTED TO REV H
CUSTOMER DRAWING					