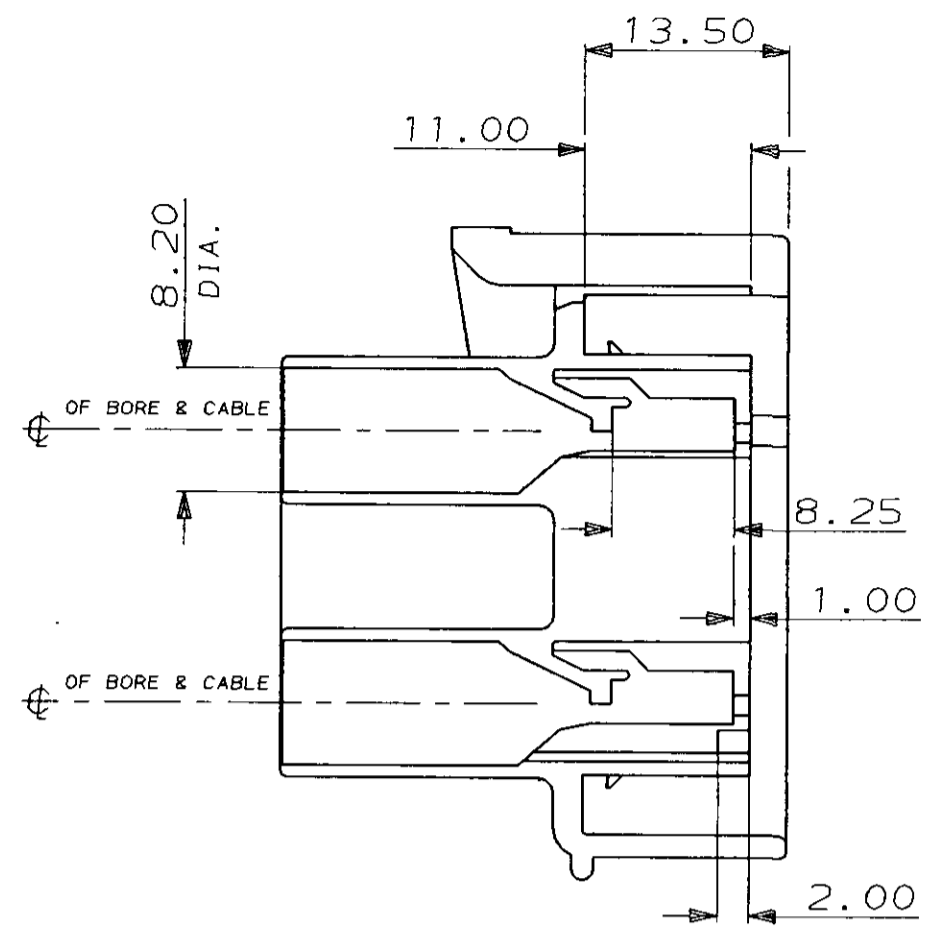
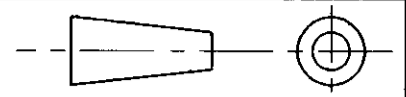
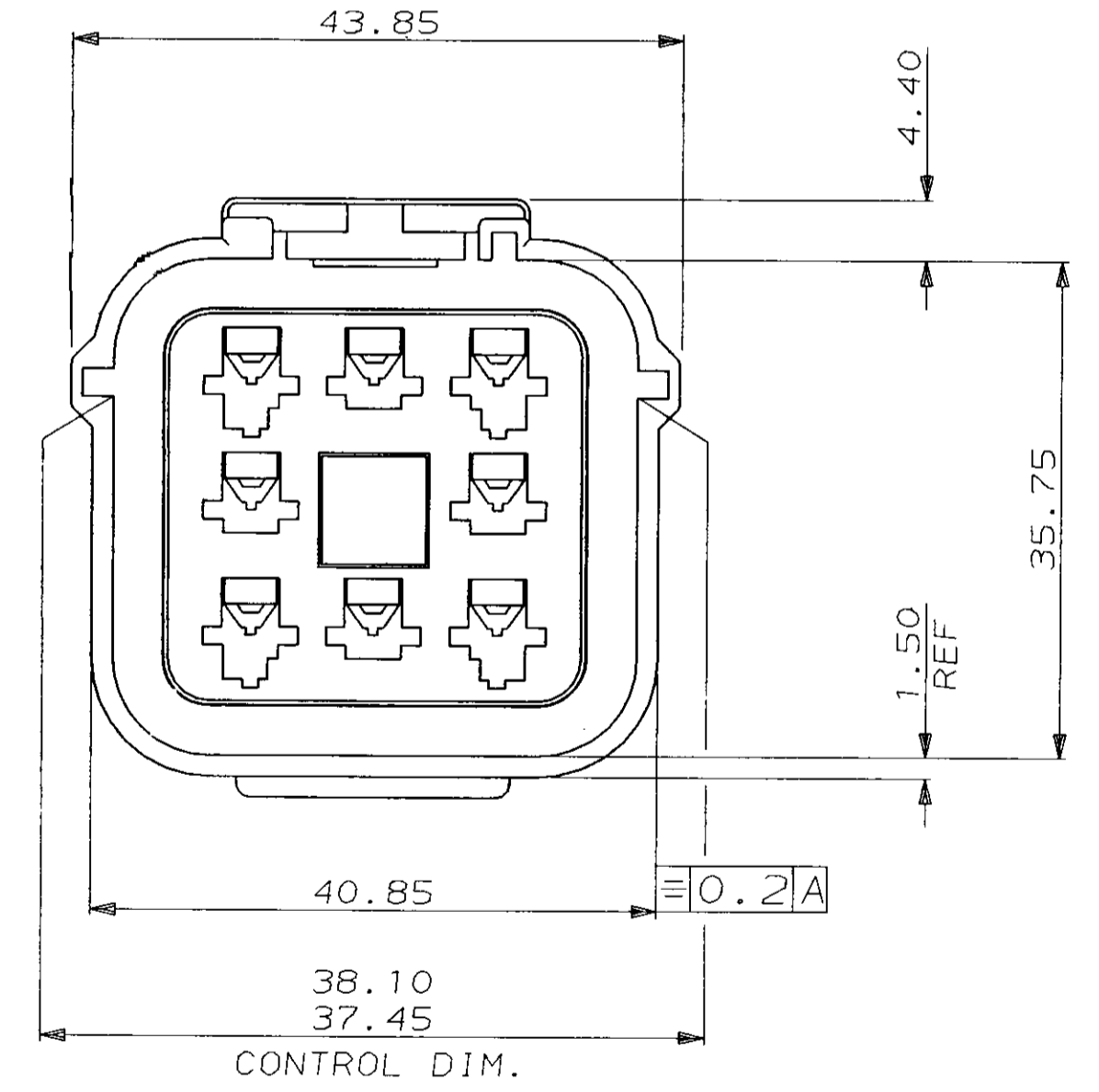
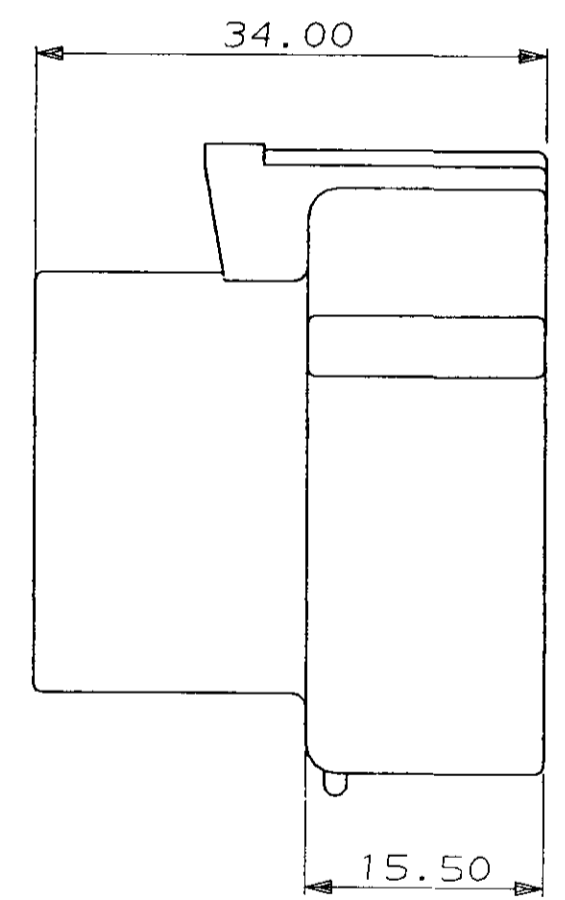
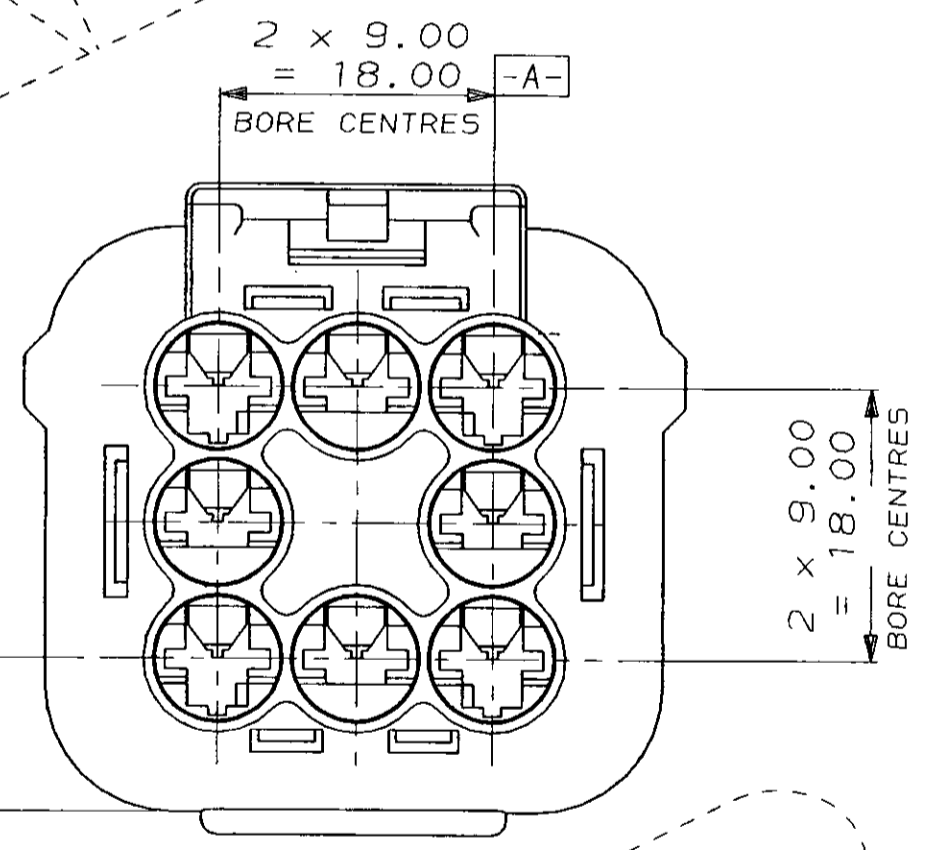
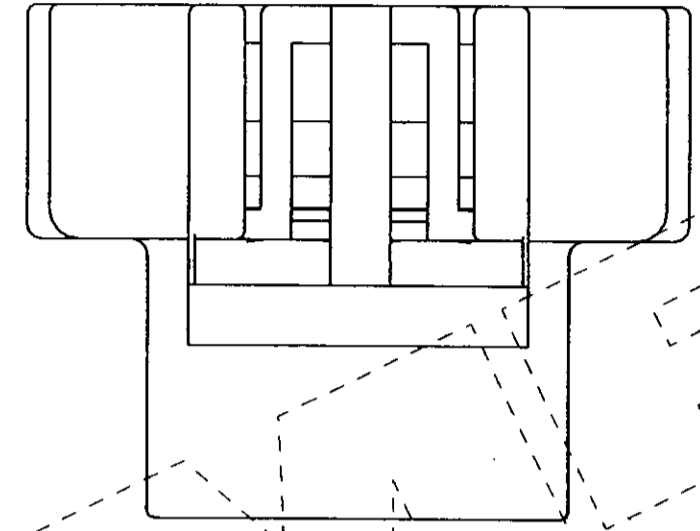
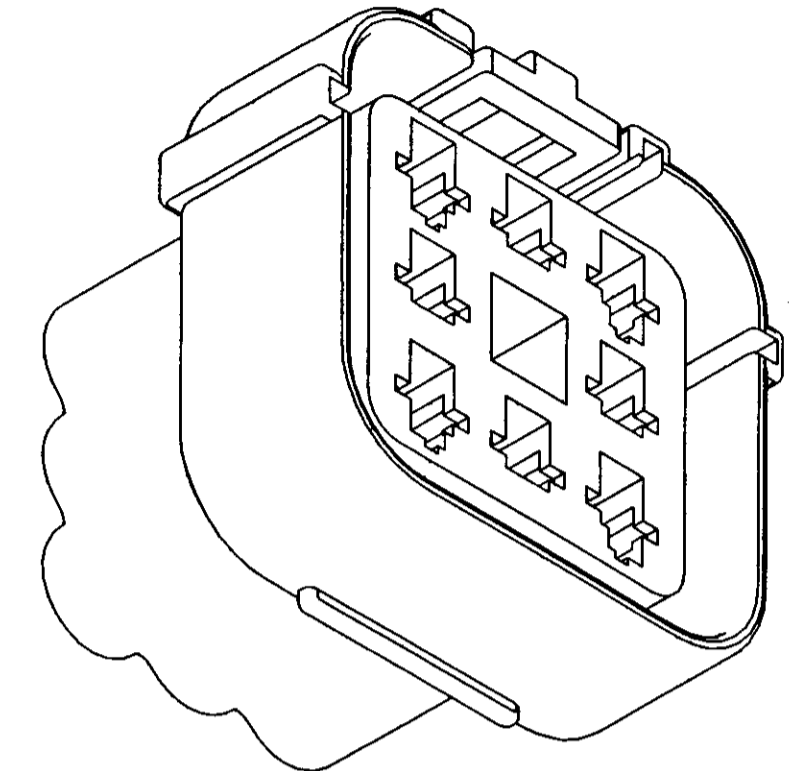


C.A.D. FILE CODE
C344076

DO NOT SCALE DIMENSIONS IN MM.



SCRAP VIEW (SEAL NOT SHOWN)



COLOUR	MATERIAL	PART NUMBER
WHITE	PA66	344076-4
BLUE	PA66	344076-3
RED	PA66	344076-2
BLACK	PA66	344076-1

CUSTOMER DWG FOR REFERENCE ONLY				COPYRIGHT 1987 BY AMP OF GREAT BRITAIN LTD. ALL INTERNATIONAL RIGHTS RESERVED. ALL PRODUCTS MAY BE COVERED BY BRITISH AND FOREIGN PATENTS AND/OR PATENTS PENDING.			
-	-	-	-	TOLERANCES UNLESS OTHERWISE STATED : DEC ± 0.5 ANGLES ± 1°		DR. I. J. 23/05/87	
				NAME		CH. R. J. S. APP. B. J.	
				8 WAY REC.HSG.			
D2	OBSOLETE -3		21MAY24	SCALE	LOC	SIZE	DWG.No.
D1	REVISION CHANGE	ECR-14-007031	27MAY2014	2/1	E	A2	C344076
REV	MODIFICATION	ECN	DATE				
				REV	D2	SHEET	1 / 1