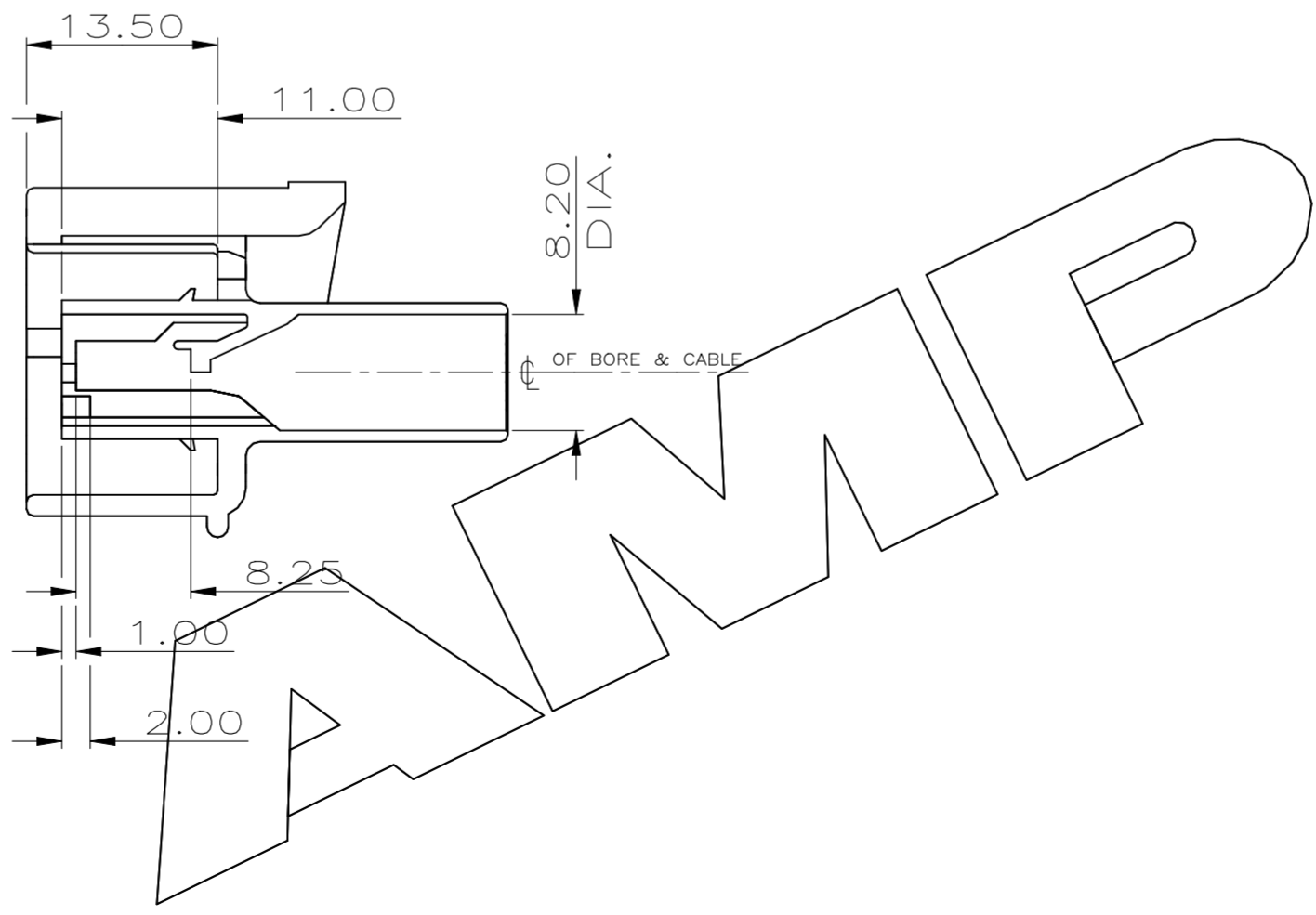
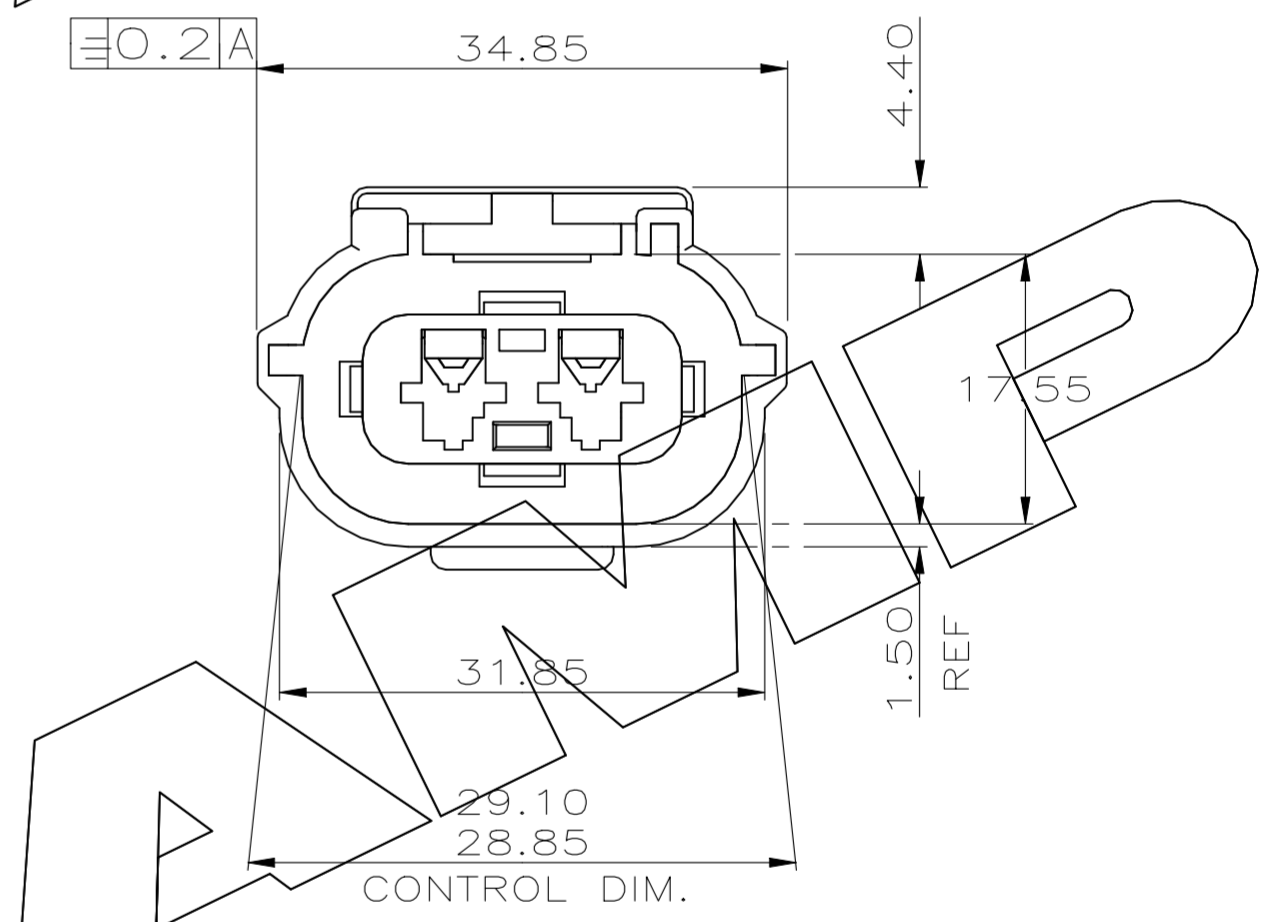
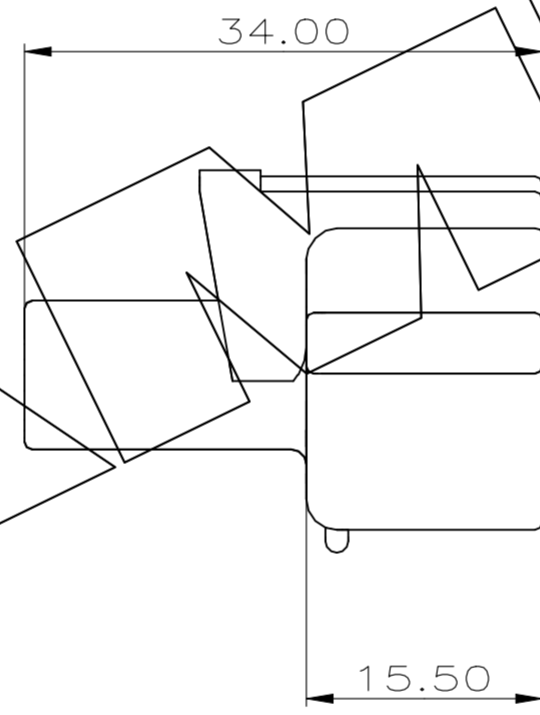
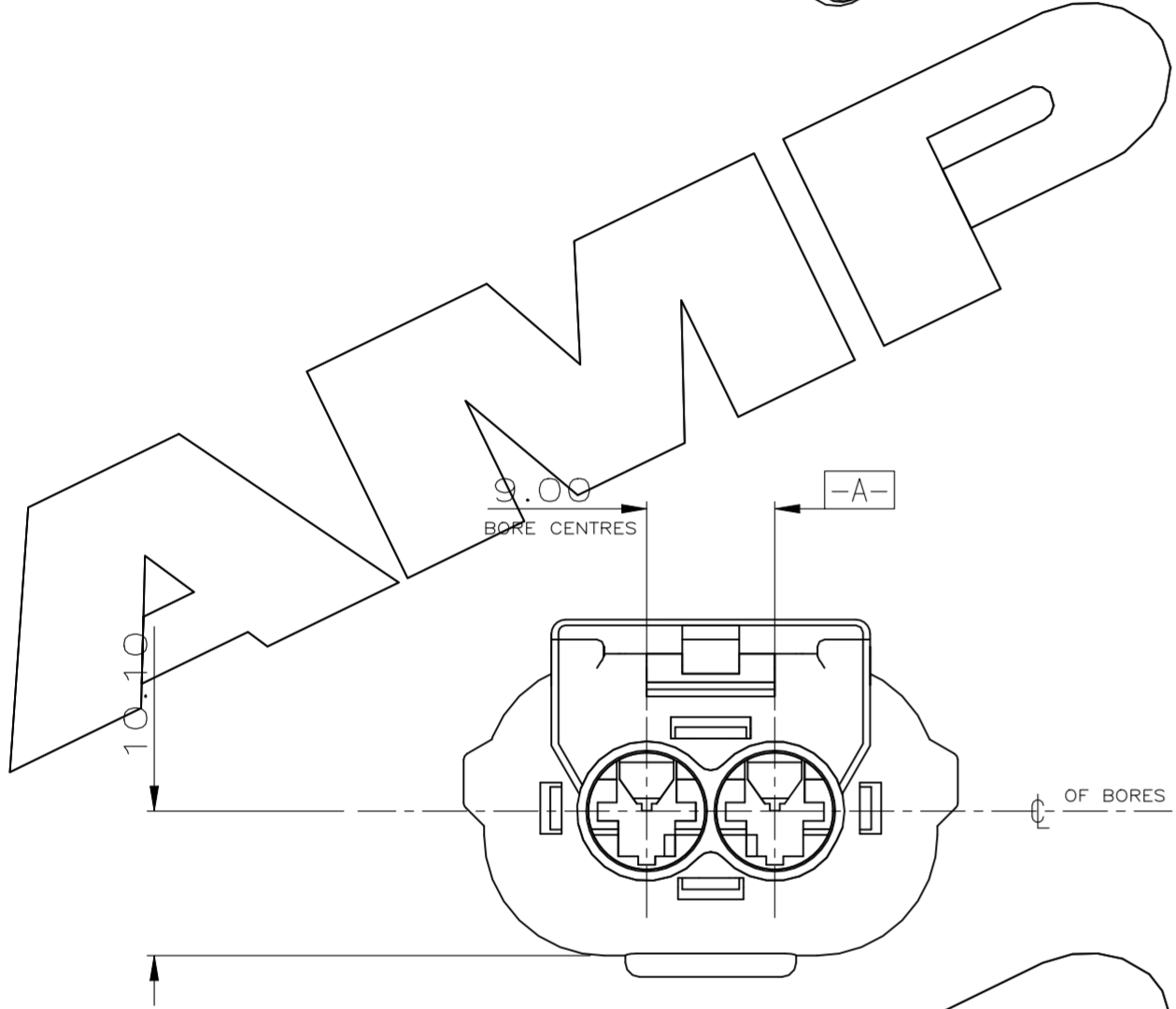
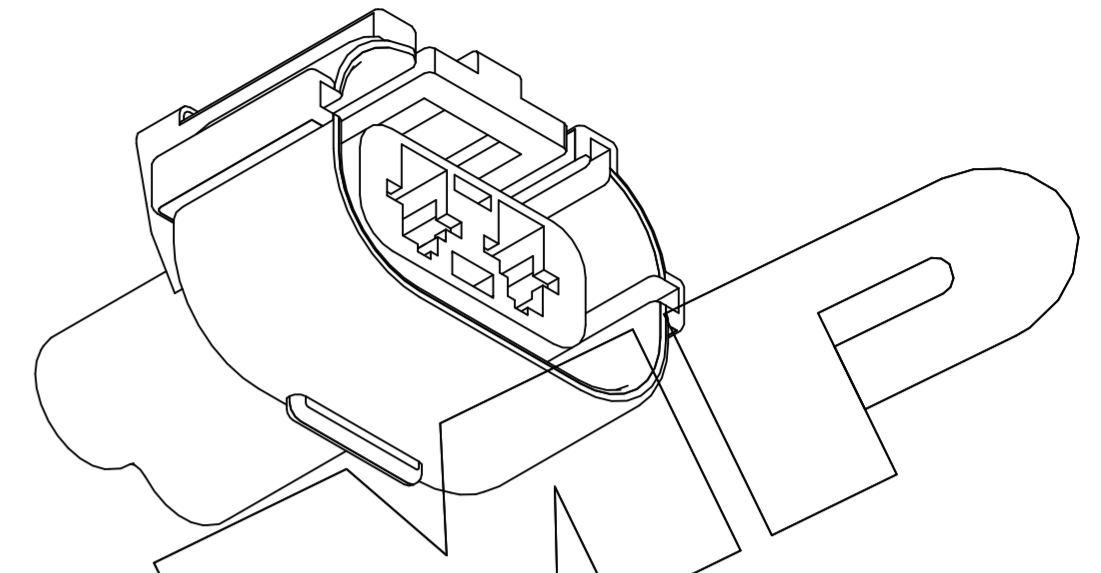
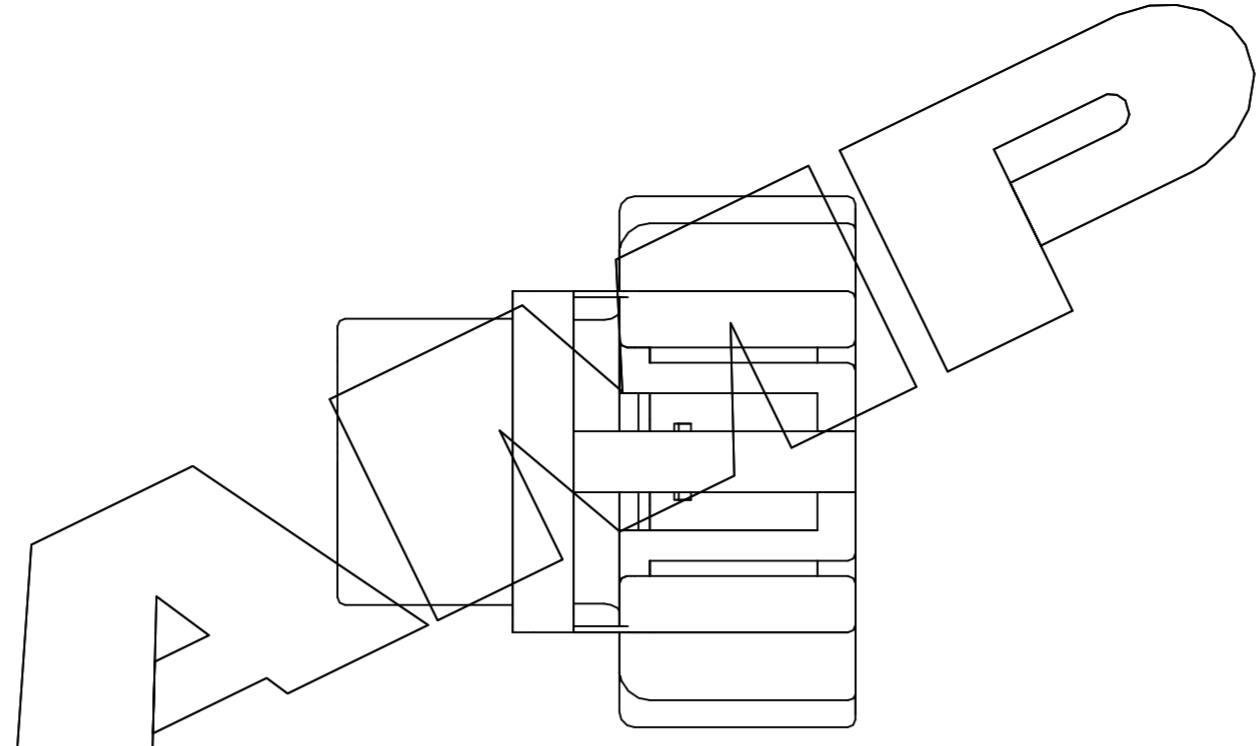
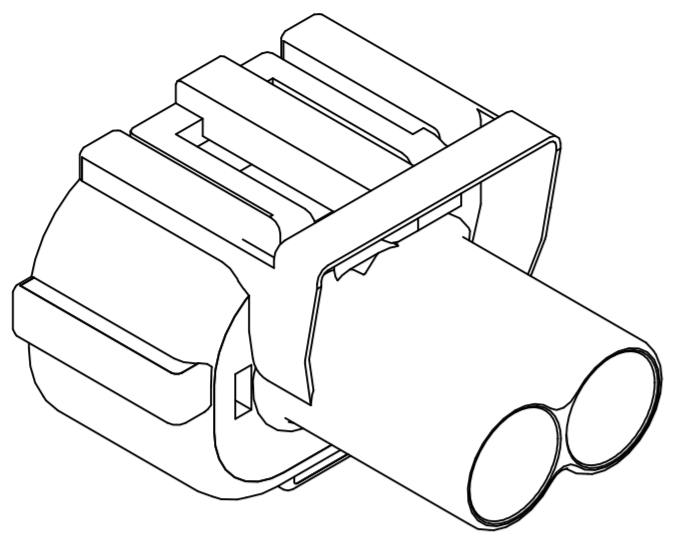
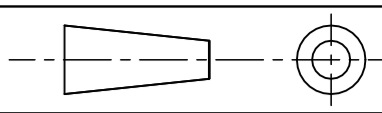


C.A.D. FILE CODE
S.

DO NOT SCALE DIMENSIONS IN MM.



WHITE	NYLON 66	344078-4
BLUE	NYLON 66	344078-3
RED	NYLON 66	344078-2
BLACK	NYLON 66	344078-1
FINISH	MATERIAL	PART NUMBER

CUSTOMER DWG FOR REFERENCE ONLY		© COPYRIGHT 1987 BY AMP OF GREAT BRITAIN LTD. ALL INTERNATIONAL RIGHTS RESERVED. ALL PRODUCTS MAY BE COVERED BY BRITISH AND FOREIGN PATENTS AND/OR PATENTS PENDING.		RELEASED FOR PUBLICATION 22/06/87	
-	-	-	-	TOLERANCES UNLESS OTHERWISE STATED : DEC ± 0.5 ANGLES ± 1°	
D1	OBSOLETED -2 VARIANT	-	20.05.2024	DR. I. J.	22/06/87
D	ADDED -1, -2 & -4	C5974	28.11.91	CH. R. J. S.	APP. B. J.
C	ADDED CORE (PICTORIAL CHANGE ONLY)	C5688	16.1.91		
B	UPDATED	C5241	13.4.89		
A	UPDATED	C5008	20.7.88	NAME 2 WAY RECEPTACLE HSG ECONOSEAL 3 HIGH CURRENT	
O	REL. FOR PROD.	C4755	22.2.88	SCALE 2/1	LOC E
REV	APPROVED	ECN	DATE	SIZE A2	DWG.No. 344078
				REV D1	SHEET 1/1