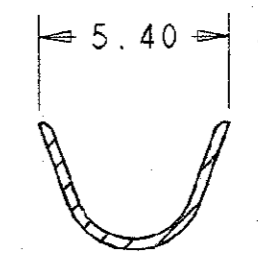
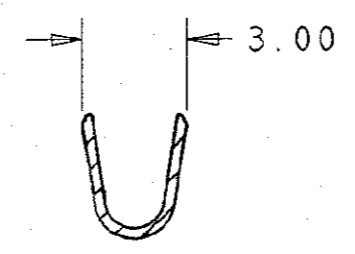
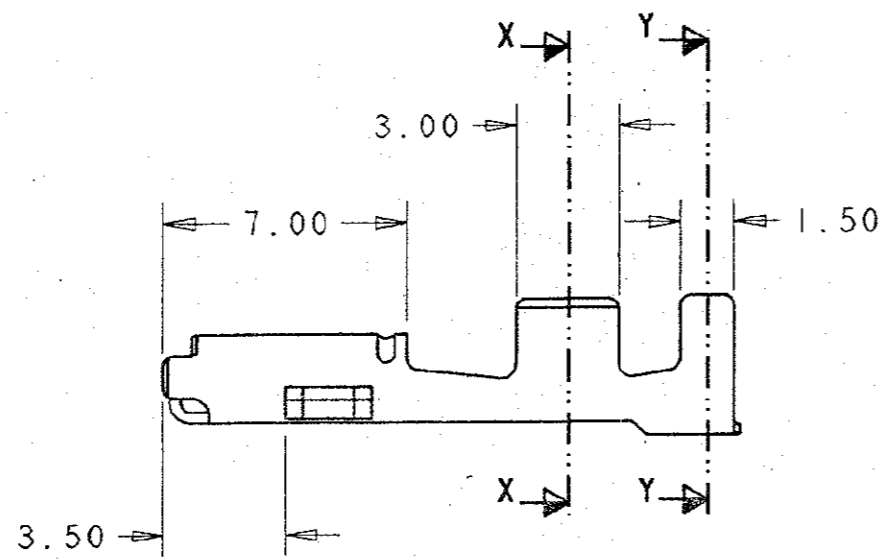
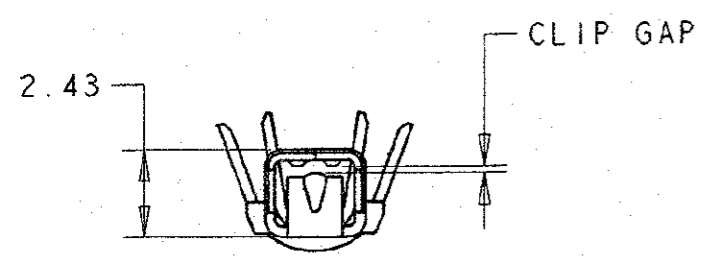
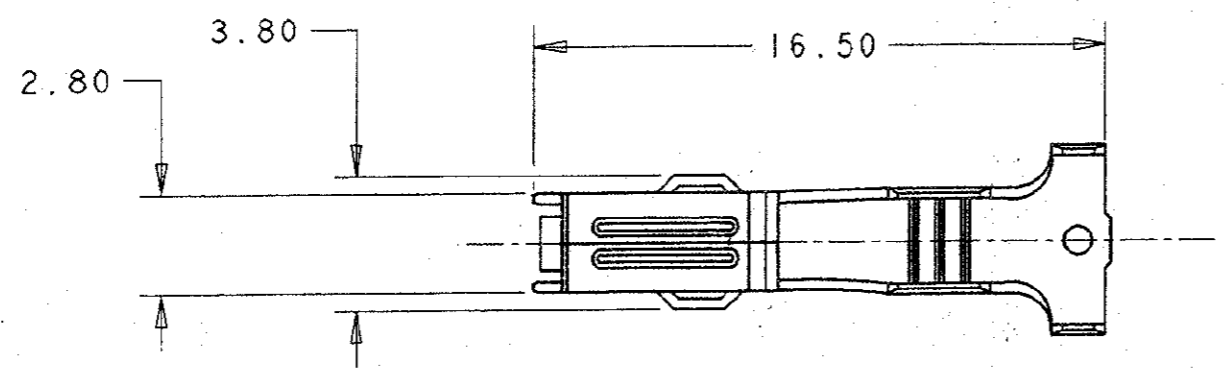


DO NOT SCALE DIMENSIONS IN MM.



WIRE RANGE: 0.75 TO 2.00 mm<sup>2</sup>.  
 FOR SEALED APPLICATIONS, SINGLE WIRES ONLY MUST BE USED.  
 FOR UNSEALED APPLICATIONS, SINGLE WIRES ARE SUITABLE FOR THE RANGE 0.75 TO 2.00 mm<sup>2</sup> OR DOUBLE WIRES 2 X 0.50 mm<sup>2</sup> ONLY.

INSULATION RANGE: SINGLE WIRES 1.65 TO 2.70 MM DIA. OR DOUBLE WIRES 2 X 1.6 MM DIA. ONLY. THIN WALLED CABLE TO BE USED.

PRE-TINNED		BRASS		345806-1					
FINISH		MATERIAL		PART NUMBER					
CUSTOMER DWG FOR REFERENCE ONLY			RELEASED FOR PUBLICATION 14 SEP 1990						
			DR. R. S.		14.9.90				
			CH. R. J. S.		APP. J. P.				
			<b>STE</b> TE Connectivity						
			NAME .070 RECEPTACLE ECONOSEAL 3						
A1	HMR	ECO-11-005294	13APR11	SCALE	LOC	SIZE	DWG. No.	REV	SHEET
REV	APPROVED	ECO	DATE	5 / 1	E	A 3	C345806	A1	1 / 1