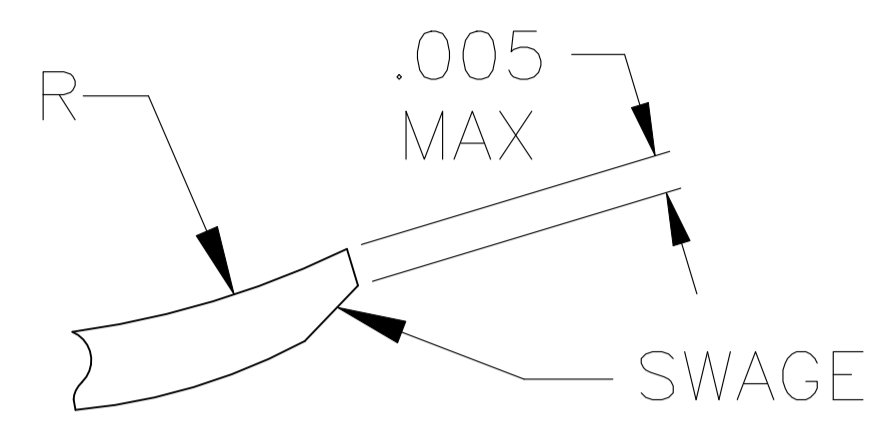
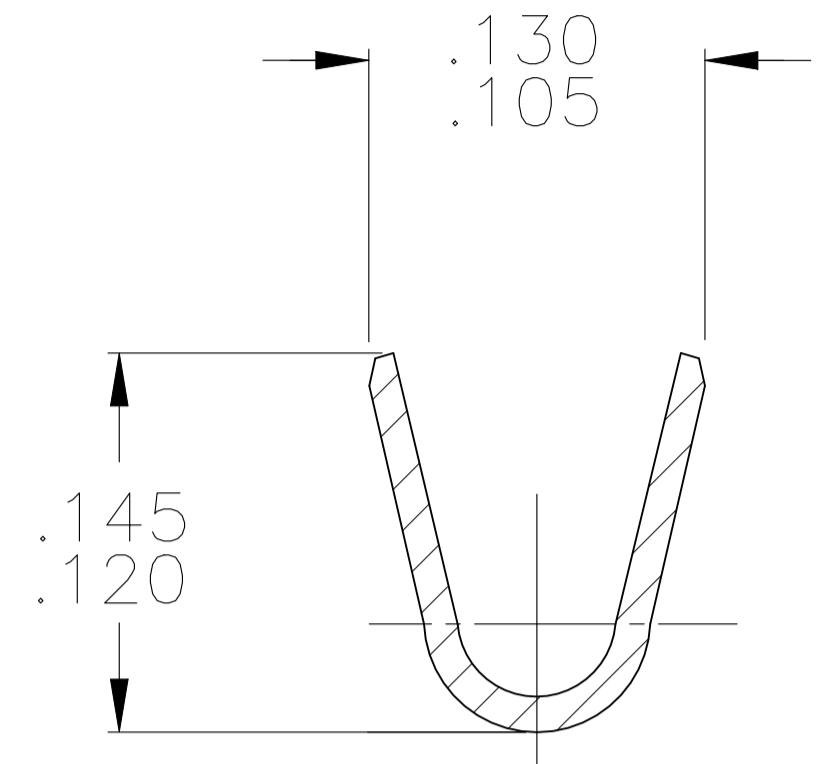
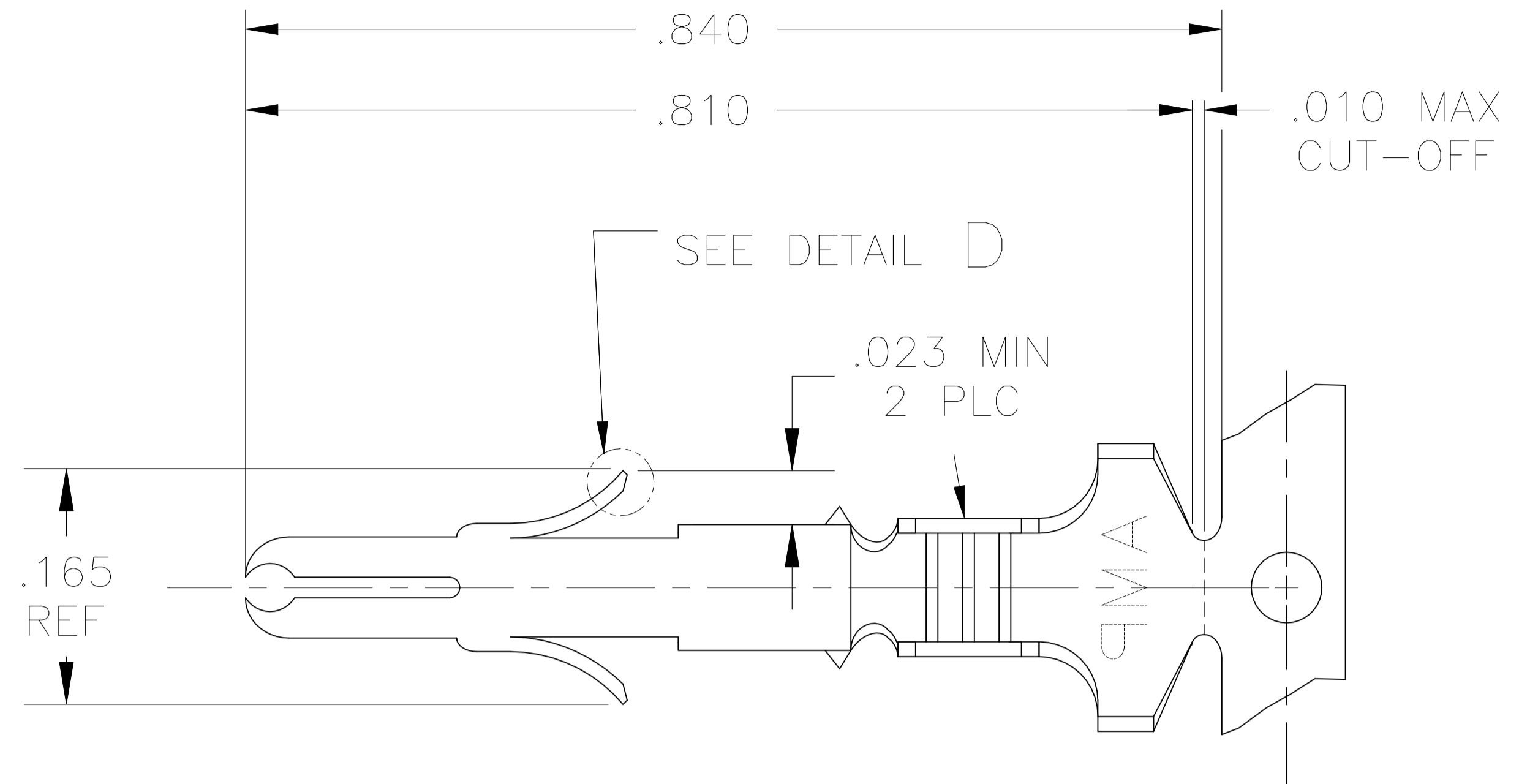


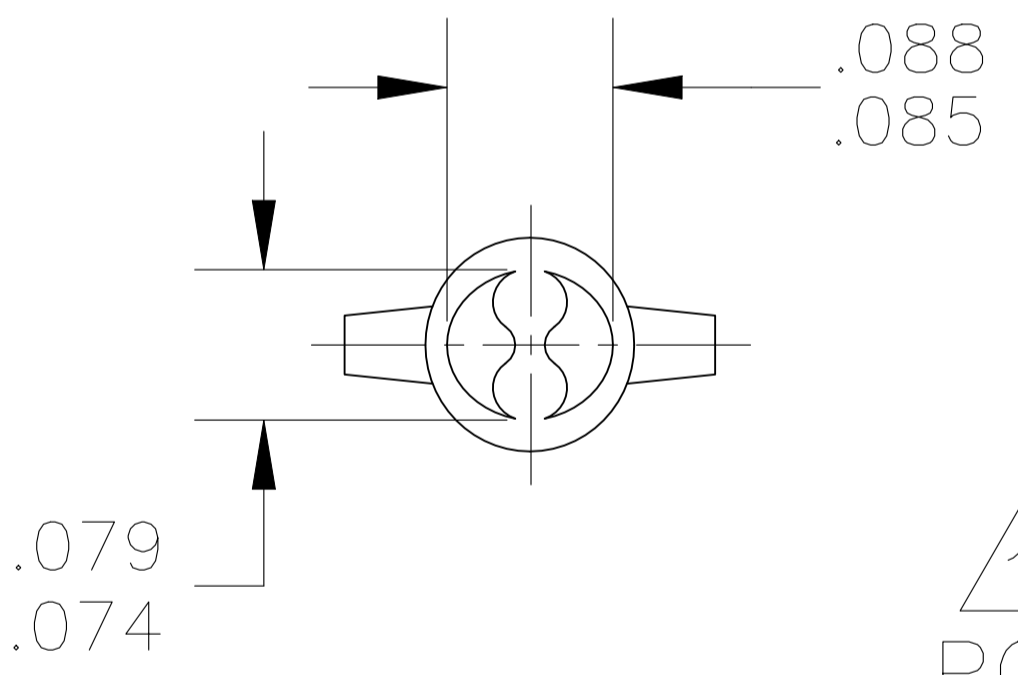
REVISIONS				
P	LTR	DESCRIPTION	DATE	BY
Y4	REVISED PER	ECR-22-160292	05DEC2022	RS RB



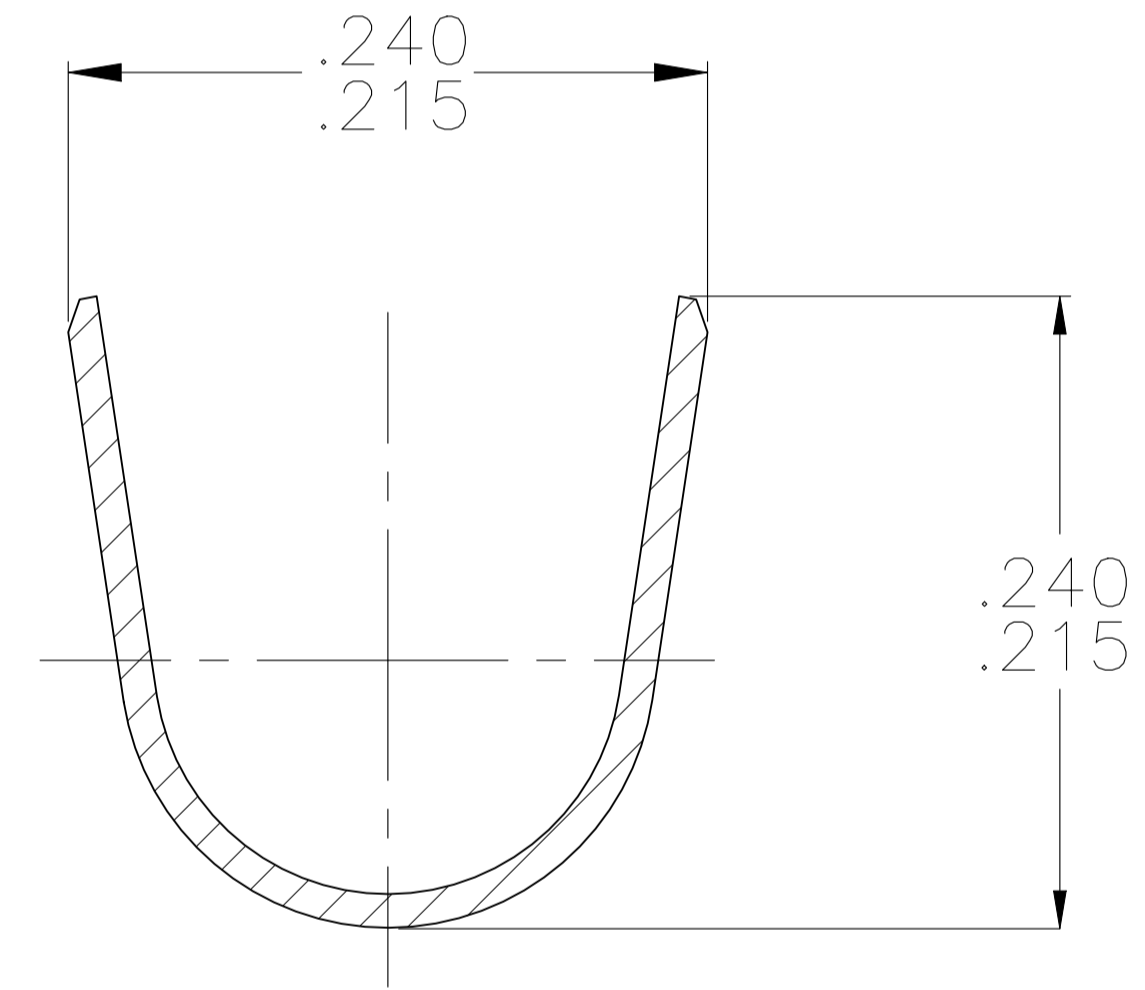
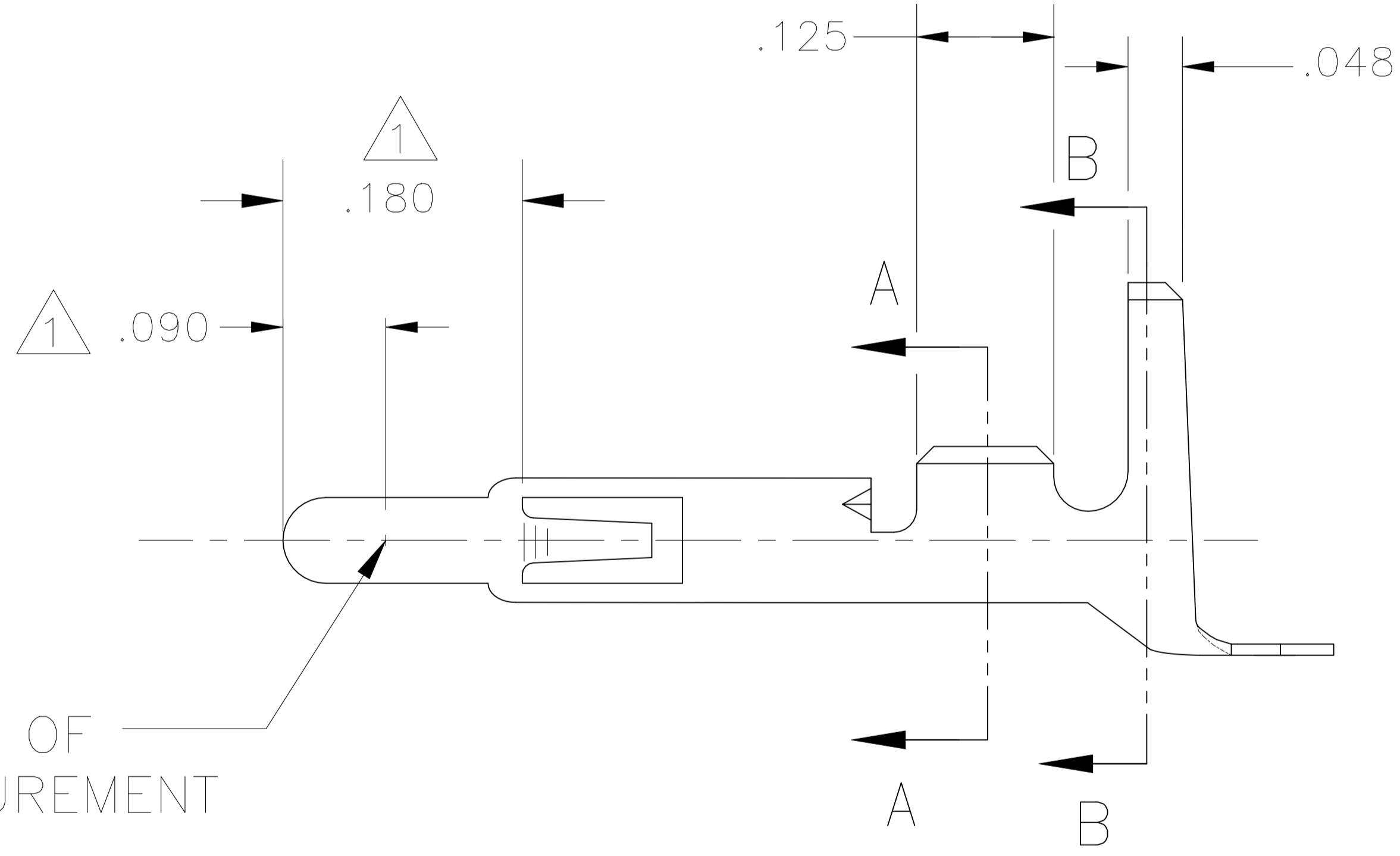
DETAIL D
SCALE 20:1



SECTION A-A
SCALE 10:1



POINT OF MEASUREMENT



SECTION B-B
SCALE 10:1

- 1 PLATED WITH .000030 GOLD, OVER .000050 NICKEL UNDERPLATE.
- 2 GOLD OVER NICKEL ON ENTIRE STAMPING; .000030 GOLD MINIMUM AT POINT OF MEASUREMENT IN CONTACT AREA, GOLD FLASH MINIMUM IN WIRE BARREL.
- 3 INSULATION RANGE : ϕ .130-.200

350707-7	.012 BRASS	GOLD 1	350700-7
-	.012 PH BR2	PRE-TIN	350700-3
350707-2	.012 BRASS	GOLD 2	350700-2
350707-1		PRE-TIN	350700-1
LOOSE PIECE (REF)	MATERIAL	FINISH	PART NUMBER

THIS DRAWING IS A CONTROLLED DOCUMENT.

DIMENSIONS: INCHES	TOLERANCES UNLESS OTHERWISE SPECIFIED:	DWG: EASVESH WARAD 31MAR2016	CHK: WICKES, EVAN 31MAR2016	APPROV: WICKES, EVAN 31MAR2016	NAME: SPLIT PIN, UNIVERSAL MATE-N-LOK
0. PLC ± -	1. PLC ± -	PRODUCT SPEC: 108-1031	APPLICATION SPEC: 114-1010	WEIGHT: 0	SIZE: A1
2. PLC ± -	3. PLC ± .015	CAGE CODE: 00779	DRAWING NO: 350700	RESTRICTED TO: -	SCALE: 10:1
4. PLC ± -	ANGLES ± -	CUSTOMER DRAWING	SCALE: 10:1	SHEET: 1 OF 2	REV: Y4