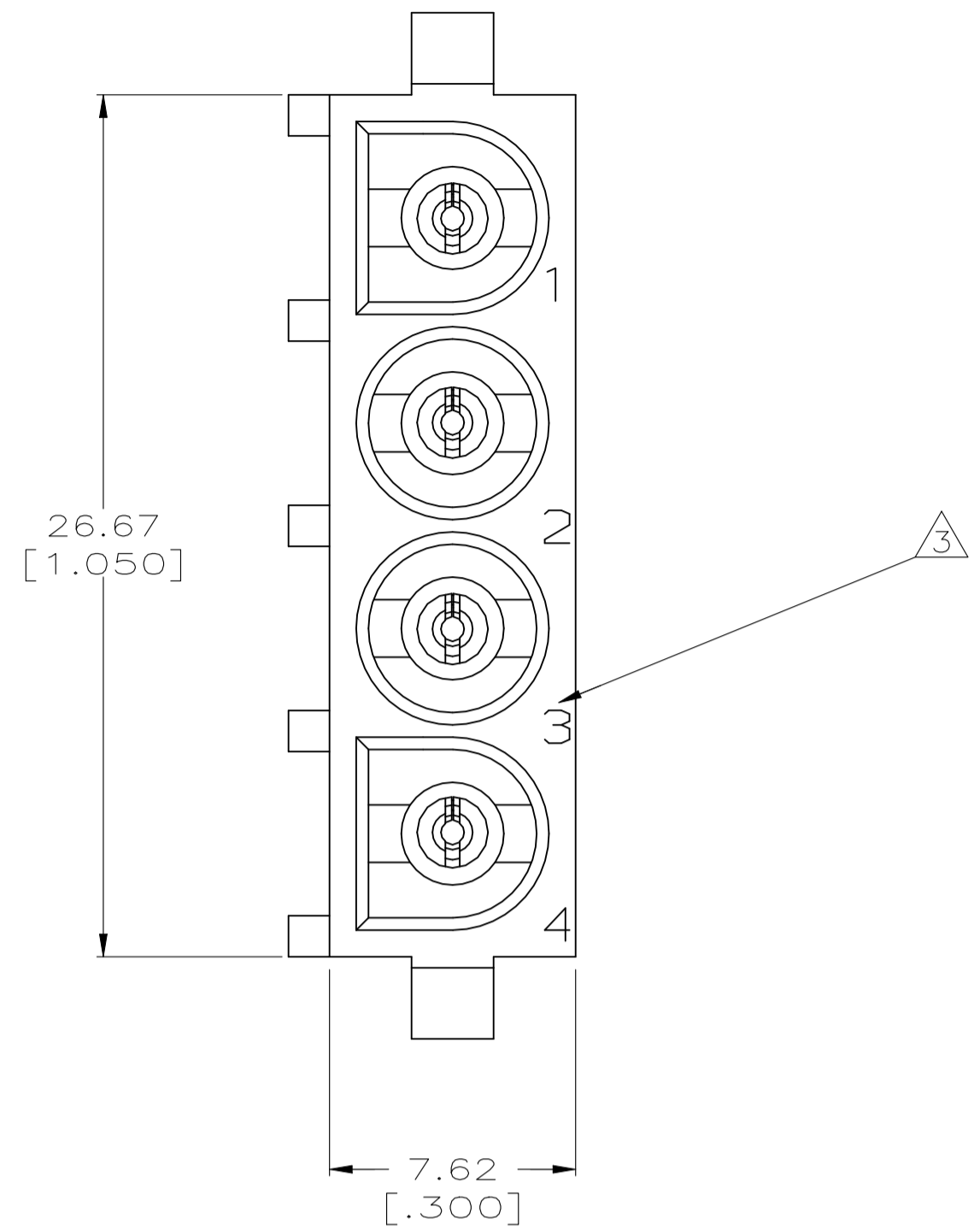
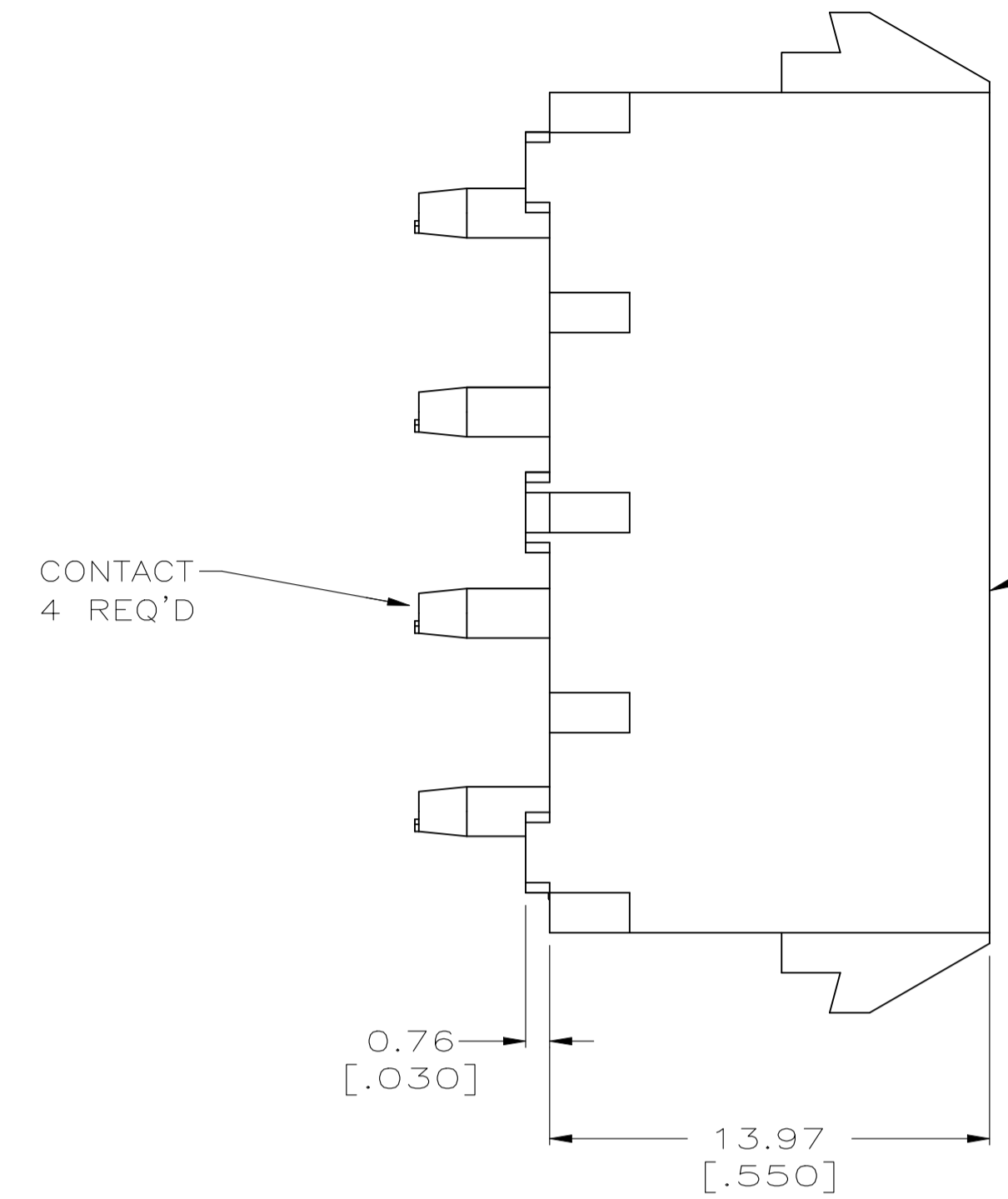
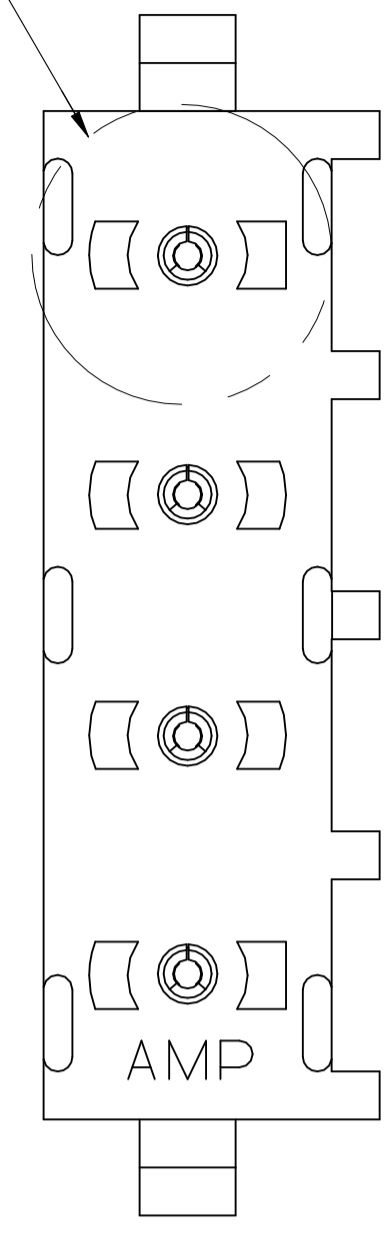
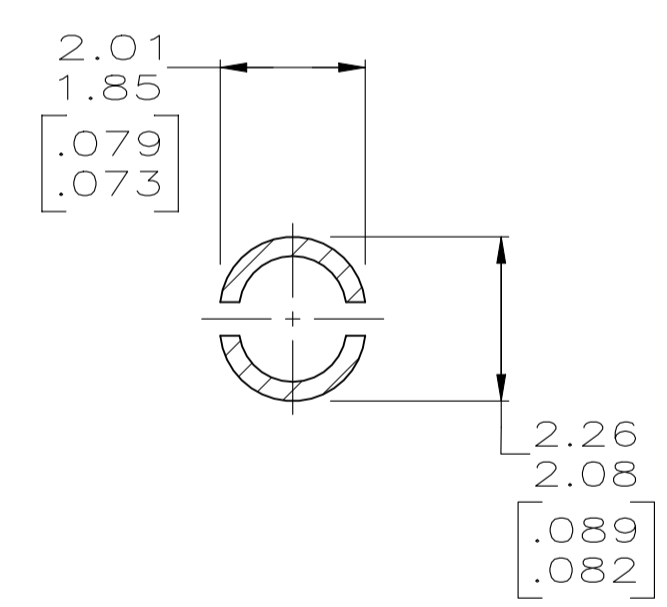
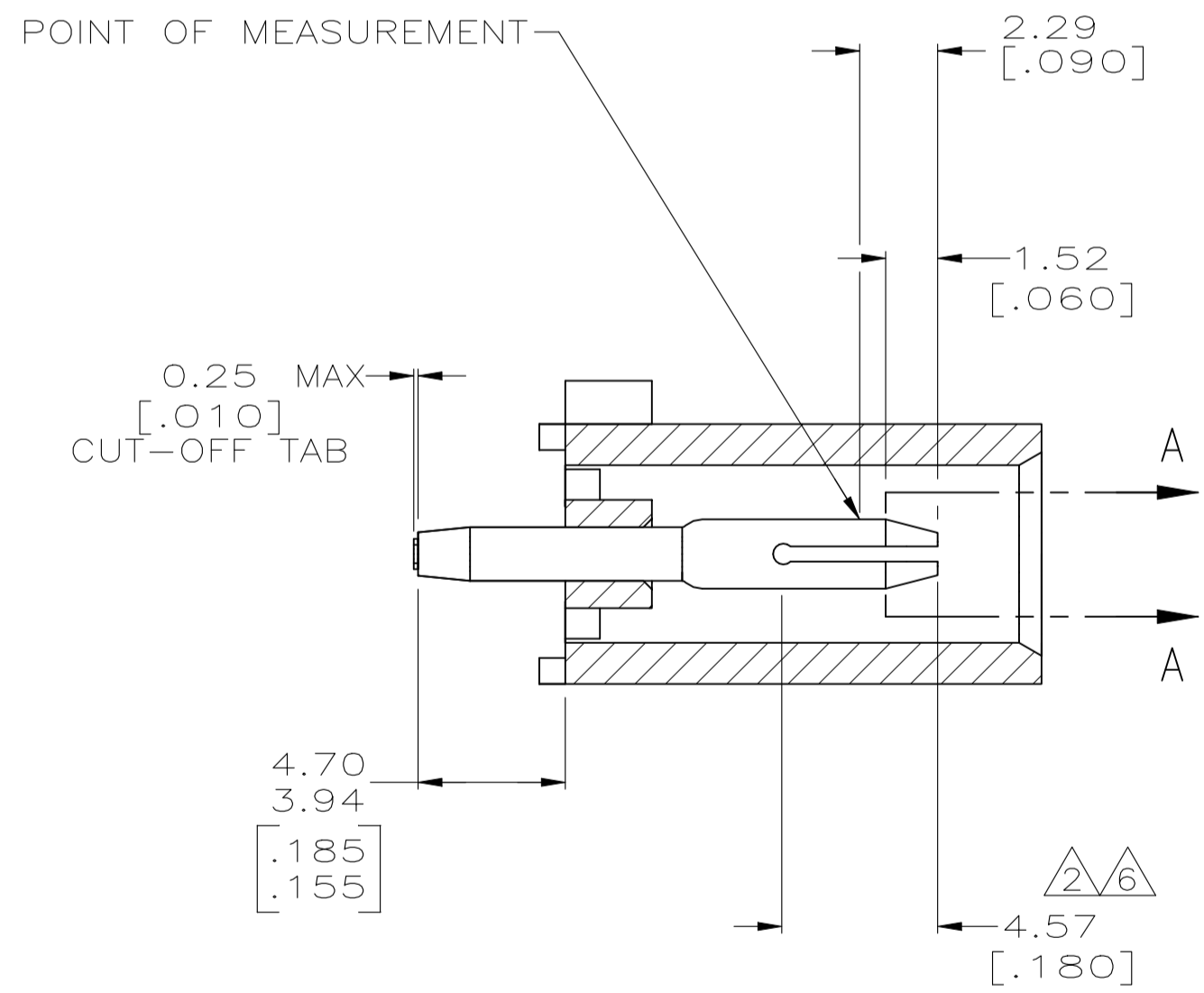


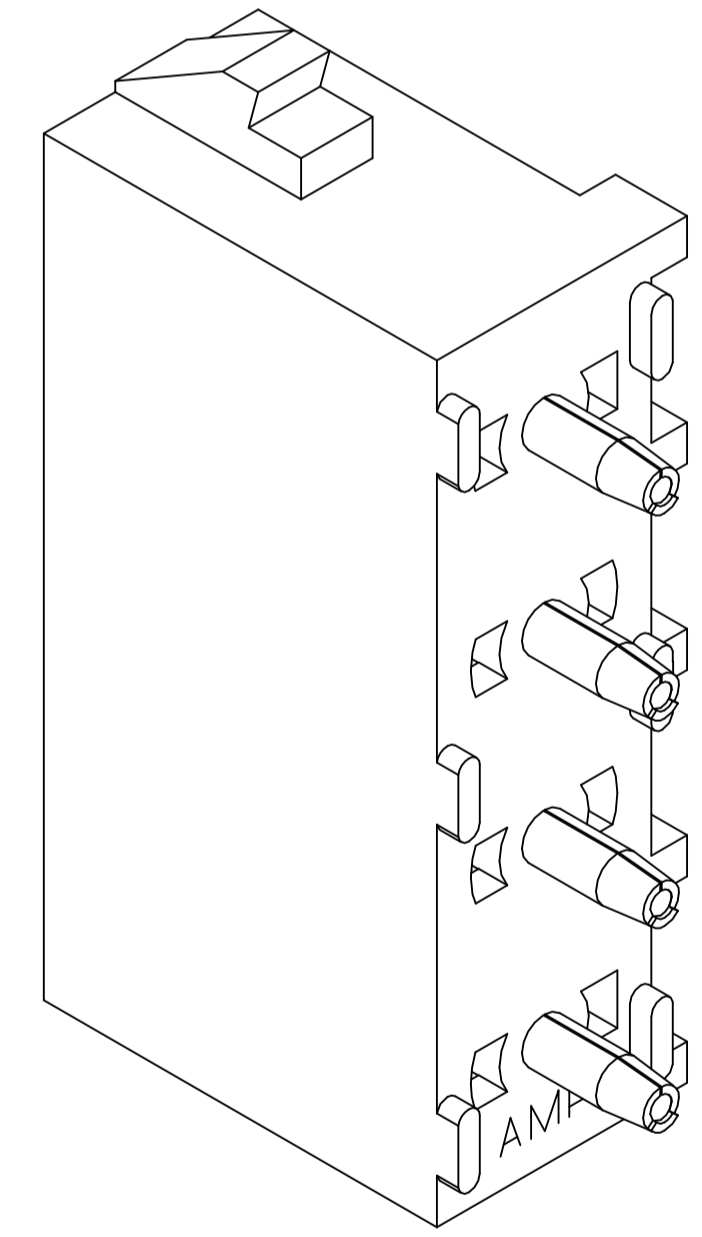
SEE DETAIL A



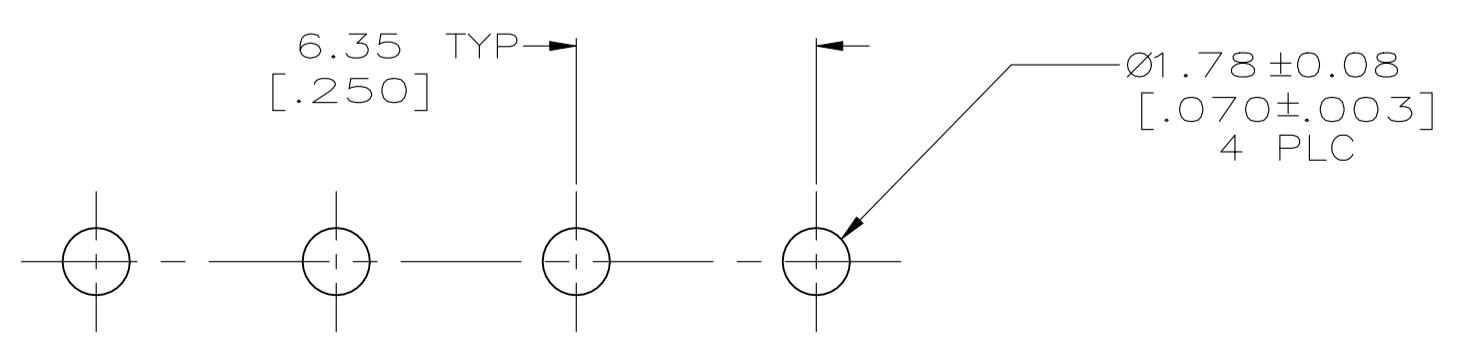
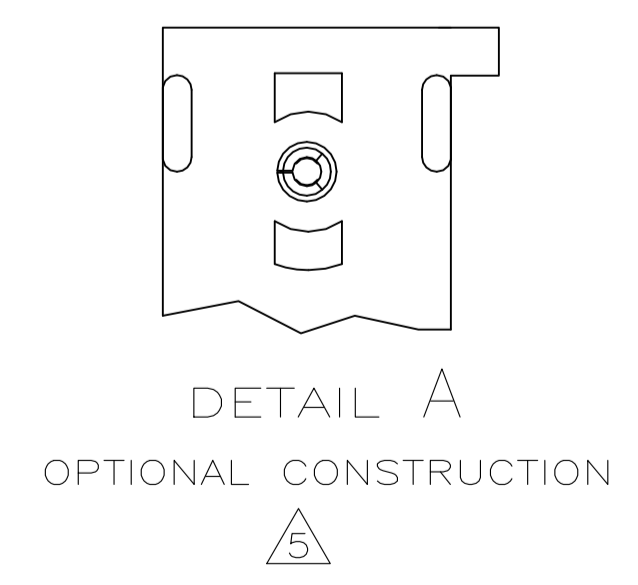
- 1 PARTS COMPLY TO AMP SOLDERABILITY SPECIFICATION 109-11-3.
- 2 CONTACT IS PLATED OVERALL WITH 0.00127 [.000050] NICKEL, THEN 0.00076 [.000030] GOLD OVER CONTACT LENGTH INDICATED AND MATTE TIN LEAD ON SOLDER TAIL END.
- 3 CIRCUIT IDENTIFICATION CHARACTERS ARE ADJACENT TO THE INDICATED CAVITIES, BUT LOCATION AND ORIENTATION MAY DIFFER FROM PRINT.
- 4 DIMENSIONS IN BRACKETS ARE IN INCHES.
- 5 DRAIN HOLES LOCATED AS SHOWN. OPTIONAL CONSTRUCTION - ALL DRAIN HOLES LOCATED 90° AS SHOWN IN DETAIL A.
- 6 CONTACT IS PLATED OVERALL WITH 0.00127 [.000050] NICKEL, THEN 0.00076 [.000030] GOLD OVER CONTACT LENGTH INDICATED AND MATTE TIN ON SOLDER TAIL END.
- 7 SUPERSEDED BY 350792-3
8. DIMENSION SHOWN REPRESENT PRODUCT IN DRY CONDITION. ADDITIONAL 2% GROWTH DUE TO END USE LOCATION MOISTURE ABSORPTION MAY OCCUR AND SHOULD BE ACCOUNTED FOR.



SECTION A-A
SCALE 10:1



3-DIMENSIONAL MODEL
NTS



RECOMMENDED MOUNTING HOLE PATTERN
FOR 1.52 [.062] THICK P.C. BOARD

PHOSPHOR BRONZE, GOLD	NYLON,UL94V-0,WHITE	350792-3
PHOSPHOR BRONZE, GOLD	NYLON,UL94V-0,WHITE	350792-2
PHOSPHOR BRONZE, PRE-TIN	NYLON,UL94V-0,WHITE	350792-1
PIN CONTACT AND FINISH	HOUSING MATERIAL	PART NUMBER

THIS DRAWING IS A CONTROLLED DOCUMENT.		DIN 15-05-98	STE TE Connectivity	
DIMENSIONS: mm [INCHES]		15-05-98	PIN HEADER ASSEMBLY, 4 CIRCUIT UNIVERSAL MATE-N-LOK™	
TOLERANCES UNLESS OTHERWISE SPECIFIED:		15-05-98	NAME	
0 PLC	± -	15-05-98	MTRULL PRODUCT SPEC	
1 PLC	± -	15-05-98	APPLICATION SPEC	
2 PLC	± 0.13 [.005]	15-05-98	SIZE	
3 PLC	± -	15-05-98	CAGE CODE	
4 PLC	± -	15-05-98	DRAWING NO	
ANGLES	± 0° 30'	15-05-98	RESTRICTED TO	
MATERIAL	SEE TABLE	15-05-98	WEIGHT	
FINISH	SEE TABLE	15-05-98	SCALE	
		15-05-98	SHEET	
		15-05-98	1 OF 1	
		15-05-98	REV	
		15-05-98	R3	