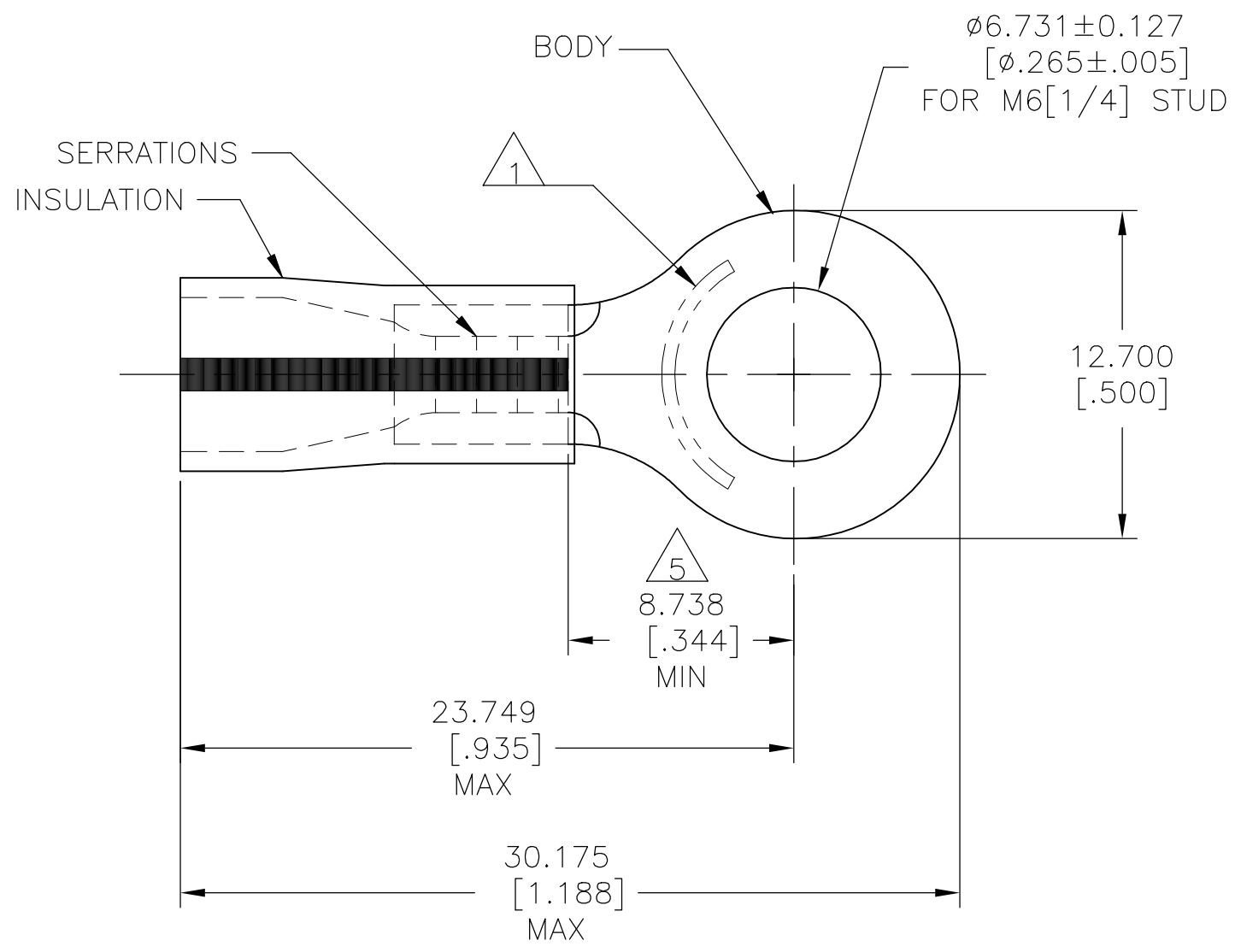


REVISIONS					
P	LTR	DESCRIPTION	DATE	DWN	APVD
	G	REV PER 0G3A-0946-04	27DEC04	JR	TM
	G1	REVISED PER ECO-17-014338	10MAY2018	RS	DR

AMP WIRE RANGE	Listed FILE E13288	LR7189 Certified
16-14HD AWG SOLID OR STRANDED	16-14HD AWG SOLID OR STRANDED	16-14HD AWG SOLID OR STRANDED



- 1 STAMP AMP 16-14HD* APPROX AS SHOWN
- 2 WIRE INSULATION DIA: $\phi 3.810 - \phi 6.350 [\phi .150 - \phi .250]$
- 3 BODY MATERIAL THK: $1.219 \pm 0.051 [.048 \pm .002]$
- 4 MATERIAL:
BODY - CU PER ASTM B152
SLEEVE - PVC
- 5 APPLIES FROM CENTER OF STUD HOLE TO EDGE OF METAL WIRE BARREL

500	LOOSE PIECE	35349
QTY	PACKAGE TYPE	PART NO.

AMP INCORPORATED CUSTOMER SERVICE SYSTEMS		MAX RECOMMENDED OPERATING TEMPERATURE: 105°C[221°F]	THIS DRAWING IS A CONTROLLED DOCUMENT.		DWN DK SCHRUM 09/29/92	TE Connectivity Ltd.				
FOR ADDITIONAL PRODUCT INFORMATION OR COPIES OF DRAWINGS AND TECHNICAL DOCUMENTS	PRODUCT INFORMATION CENTER 1-800-522-6752	VOLTAGE RATING: N/A	DIMENSIONS: mm [INCHES]	TOLERANCES UNLESS OTHERWISE SPECIFIED:	CHK RE HERSEY 11/10/92				NAME TERMINAL, RING TONGUE, PLASTIC-GRIP, 16-14 HD AWG	
FOR APPLICATION TOOLING INFORMATION	TOOLING ASSISTANCE CENTER 1-800-722-1111	CIRCULAR MIL AREA: 1.04-2.62mm ² [2,050-5,180] SOLID OR STRANDED		0 PLC ± - 1 PLC ± - 2 PLC ± - 3 PLC ± 0.127[.005] 4 PLC ± - ANGLES ± -	APVD M BARNABA 11/10/92	PRODUCT SPEC UL 486 A-B	SIZE	CAGE CODE		
FOR ORDER ENTRY	1-800-526-5142	THIS DRAWING IS A CONTROLLED DOCUMENT FOR AMP INCORPORATED. IT IS SUBJECT TO CHANGE AND THE CONTROLLING ENGINEERING ORGANIZATION SHOULD BE CONTACTED FOR THE LATEST REVISION.	MATERIAL 	FINISH BODY: TIN PER ASTM B545 INSULATION: COLOR- YELLOW W/BLACK STRIPE	APPLICATION SPEC 114-2161	WEIGHT	A3	00779	C-35349	-
					CUSTOMER DRAWING	SCALE 4:1	SHEET 1 OF 1	REV G1		