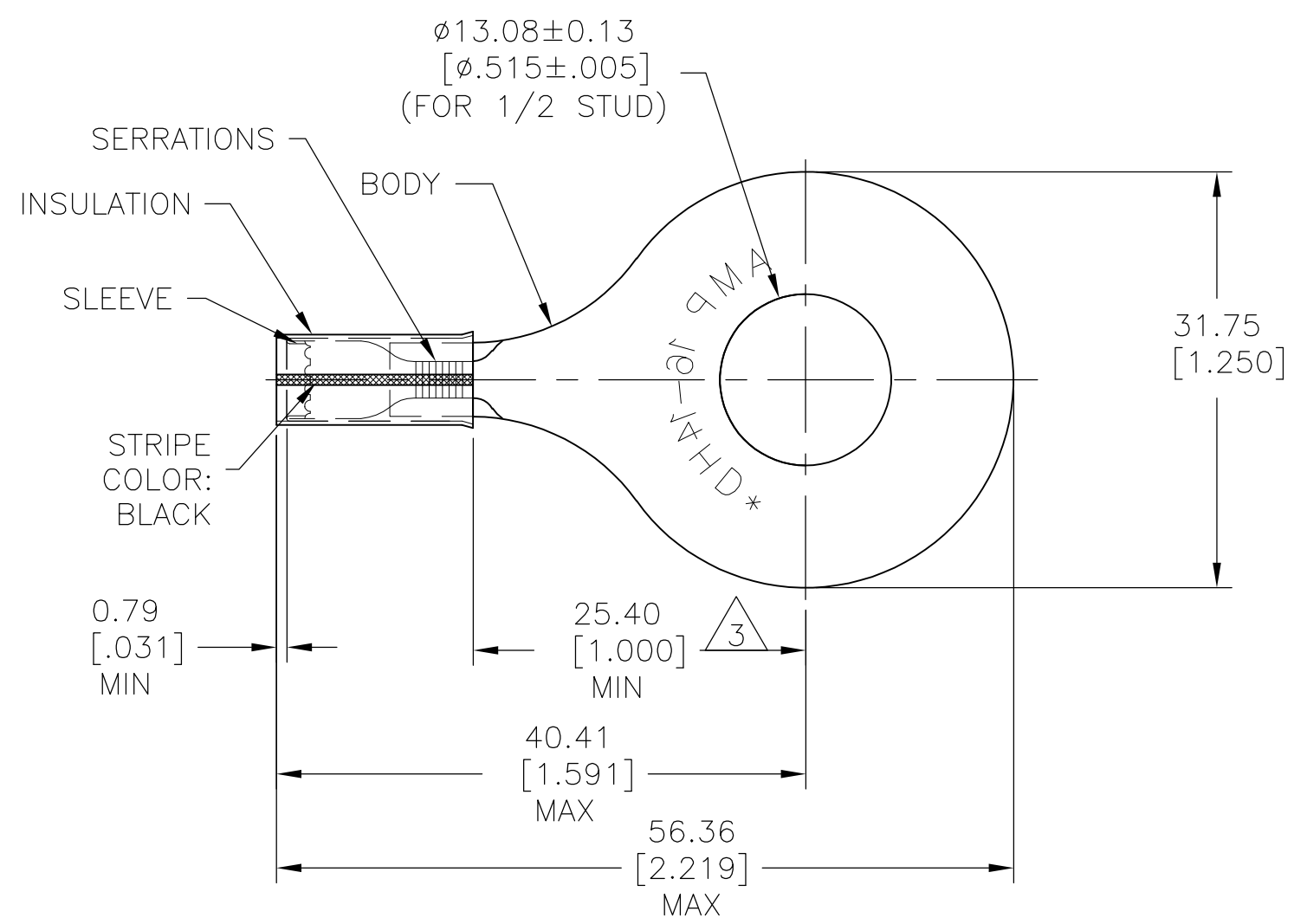


THIS DRAWING IS UNPUBLISHED. RELEASED FOR PUBLICATION
 © COPYRIGHT - By - ALL RIGHTS RESERVED.

| LOC | DIST | REVISIONS | | | | | |
|-----|------|-----------|-----|---------------------------|-----------|-----|------|
| | | P | LTR | DESCRIPTION | DATE | DWN | APVD |
| G | 14 | | D | REVISED PER ECO-14-015277 | 26FEB2015 | NK | DR |



- 1 FOR 3.81[.150] TO 6.35[.250] WIRE INSULATION DIA
- 2 TONGUE MATERIAL THK 1.22±0.05[.048±.002]
- △ 3 APPLIES FROM EDGE OF METAL BARREL TO CENTERLINE OF STUD HOLE.

| QTY | DESCRIPTION | MATERIAL & FINISH | PART NO |
|-----|---------------|--|---------|
| 1 | WIRE TERMINAL | BODY: COPPER ASTM-B152 TIN PL ASTM-B545 SLEEVE: COPPER ASTM-B152 INSULATION: YELLOW NYLON | 36203 |

| | | | | | |
|--|--|------------------------------|--|-----------------|--------------------|
| THIS DRAWING IS A CONTROLLED DOCUMENT. | | DWN RAGHAVEDRA 12JUN09 | STE TE Connectivity | | |
| DIMENSIONS: mm [INCHES] | | CHK JEFF RUTH 12JUN09 | | | |
| TOLERANCES UNLESS OTHERWISE SPECIFIED: | | APVD TOM MICHIELUTTI 12JUN09 | NAME WIRE TERMINAL PIDG - RING TONGUE WIRE SIZE: 16-14 HD | | |
| 0 PLC ± - 1 PLC ± - 2 PLC ± - 3 PLC ± 0.20[.008] 4 PLC ± - ANGLES ± .5° | | PRODUCT SPEC - | RESTRICTED TO - | | |
| MATERIAL - | | APPLICATION SPEC - | SIZE A3 | CAGE CODE 00779 | DRAWING NO C-36203 |
| FINISH - | | WEIGHT - | CUSTOMER DRAWING | | SCALE 2:1 |
| | | SHEET 1 OF 1 | | REV D | |