

4

3

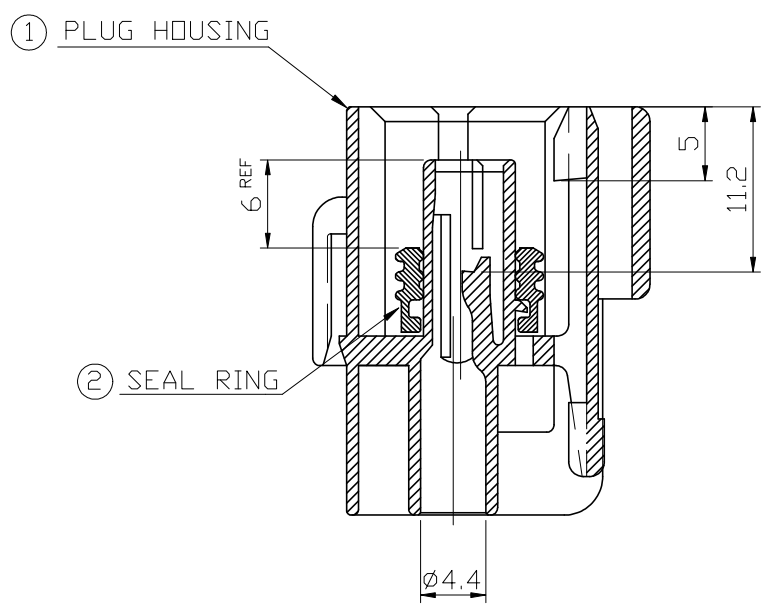
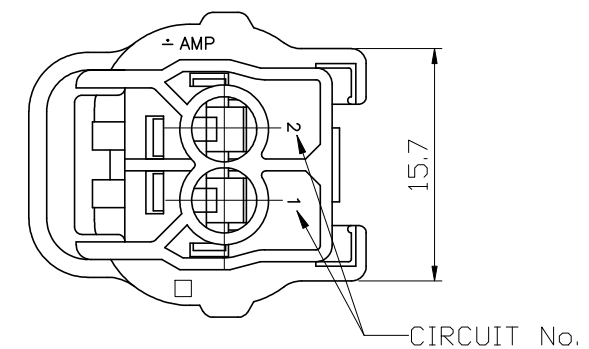
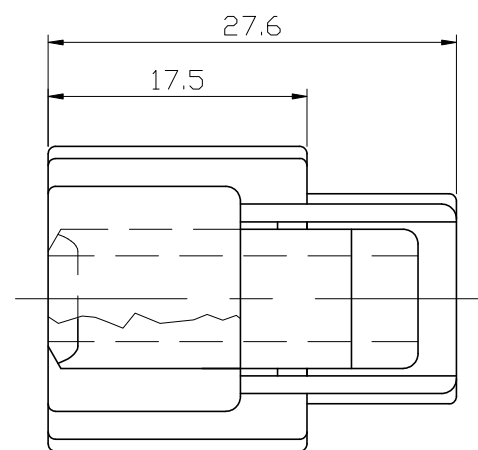
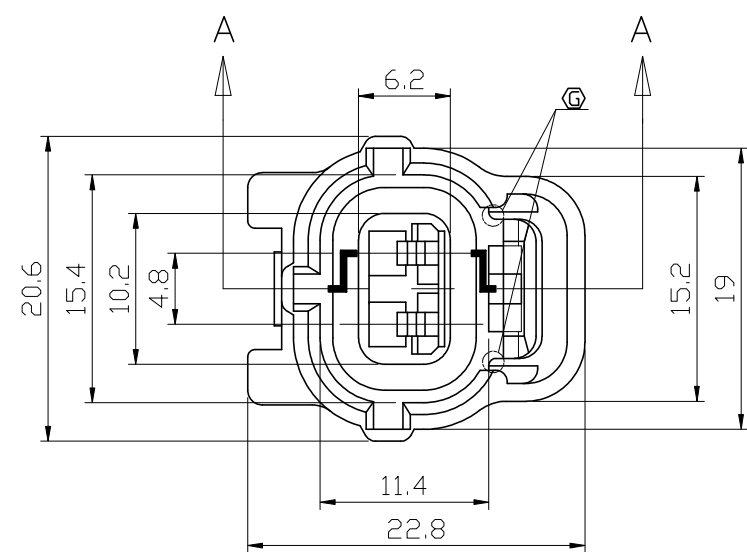
2

1

THIS DRAWING IS UNPUBLISHED. RELEASED FOR PUBLICATION

© COPYRIGHT BY TYCO ELECTRONICS CORPORATION, ALL RIGHTS RESERVED.

LOC	DIST	REVISIONS					
		P	LTR	DESCRIPTION	DATE	DWN	APVD
DS	-		E2	REVISED (ECR-09-017829)	10.AUG.'09	KT	HG
			F	REVISED (ECR-11-008844)	28.APR.'11	WY	HG
			G	REVISED (ECR-23-173536)	20.SEP.'23	BH	KT



SECTION A-A

NOTE;

- FOR CAP HOUSING P/N 174354
- THIS PART IS COMPOSED OF PLUG HOUSING P/N 368254 AND SEAL RING P/N 917370, 368882
- THIS PART MUST BE USED WITH DOUBLE LOCK PLATE P/N 174353
- APPLICABLE CONTACT P/N 171630, 171662

NO	②	①	COLOR	MATERIAL	DESCRIPTION	QTY
	②		BROWN	SILICON	SEAL RING	1
	②		BLACK	SILICON	SEAL RING	1
	①		GRAY	PBT	2P PLUG HOUSING	1
	①		BLACK	PBT	2P PLUG HOUSING	1

<small>THIS DRAWING IS A CONTROLLED DOCUMENT FOR TYCO ELECTRONICS CORPORATION IT IS SUBJECT TO CHANGE AND THE CONTROLLING ENGINEERING ORGANIZATION SHOULD BE CONTACTED FOR THE LATEST REVISION.</small>		DWN WY JANG CHK KT LIM APVD HG CHD PRODUCT SPEC 108-61054 APPLICATION SPEC 114-5082 WEIGHT 5.2g		TE Connectivity NAME ECONOSEAL J-MARKII(+) CONNECTOR 2 POS. PLUG HOUSING SIZE A3 CAGE CODE 00779 DRAWING NO C-368261 RESTRICTED TO -	
DIMENSIONS: MM	TOLERANCES UNLESS OTHERWISE SPECIFIED: 0 <XX<10 ± 0.2 10 <XX<30 ± 0.25 30 <XX ± 0.3 ANGLES ± 3°	CUSTOMER DRAWING		SCALE	2/1
MATERIAL SEE TABLE	FINISH	SHEET		1	OF
		SHEET		1	OF
		REV		G	