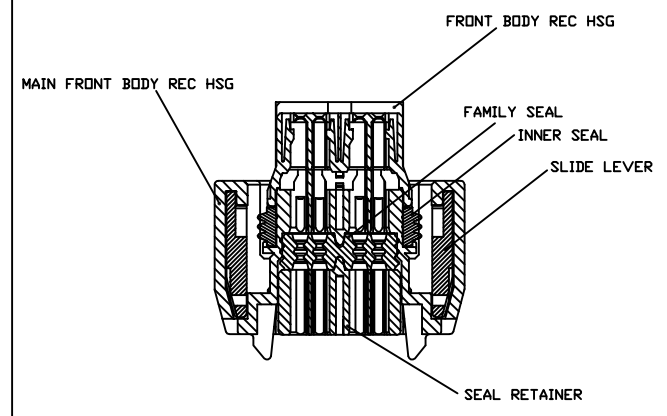
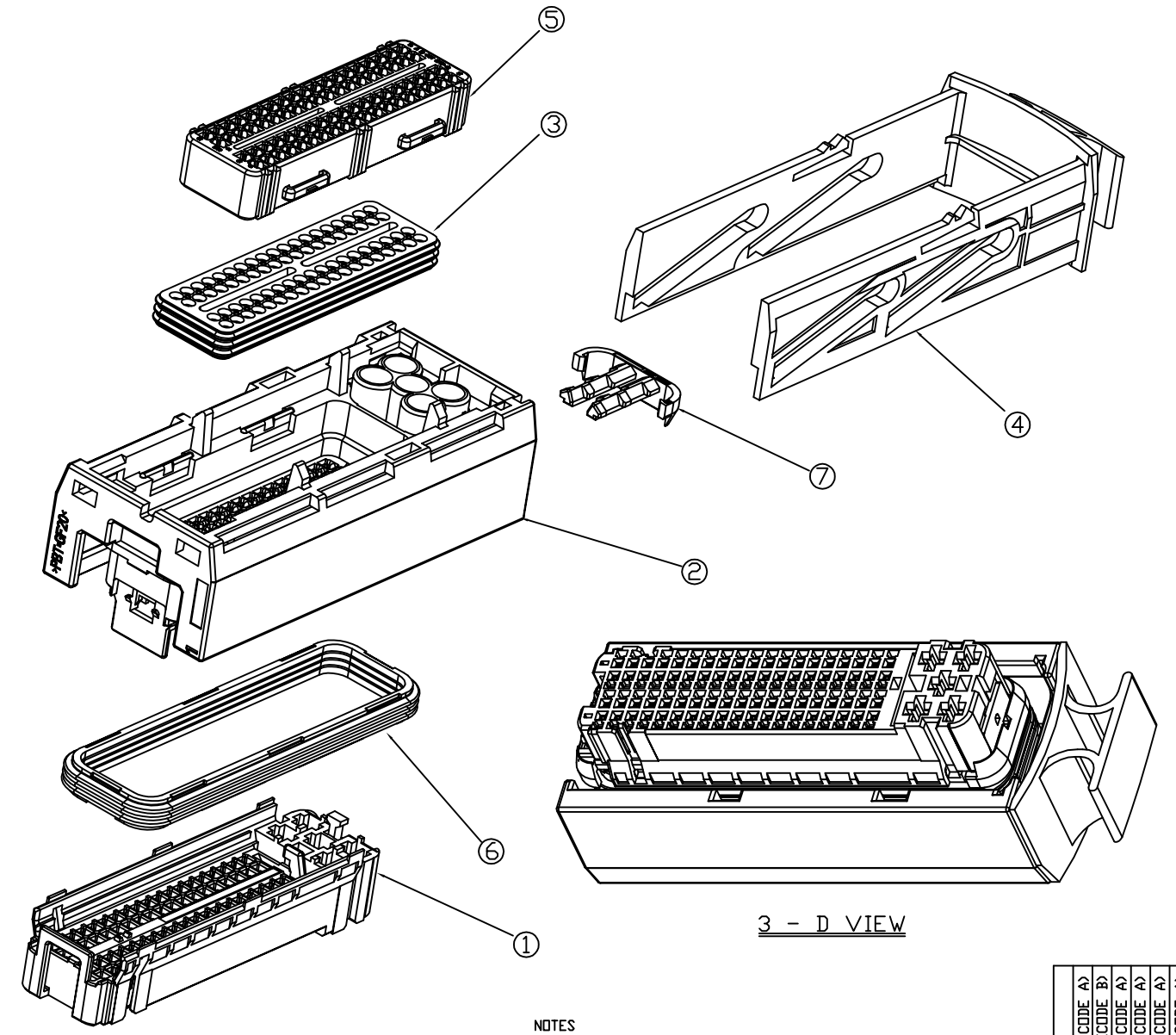
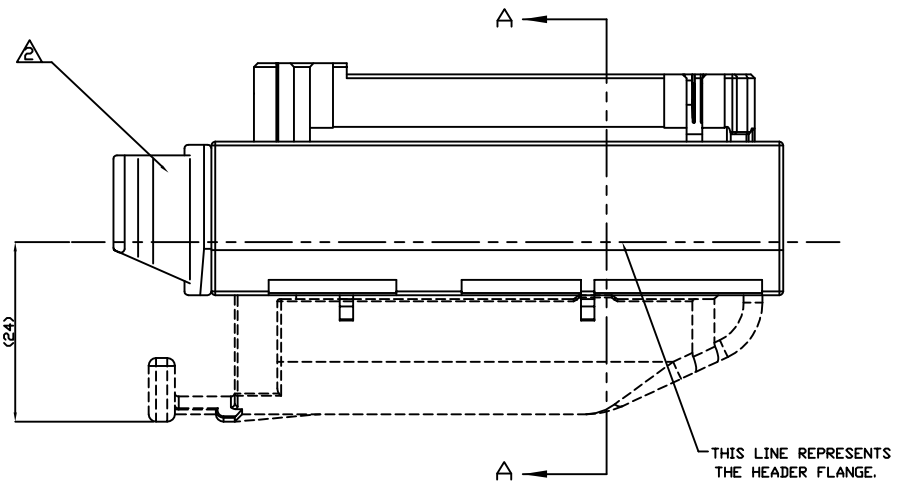
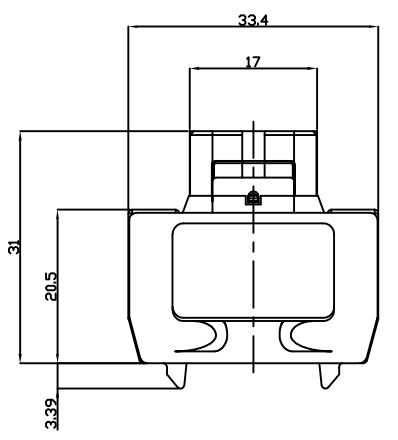
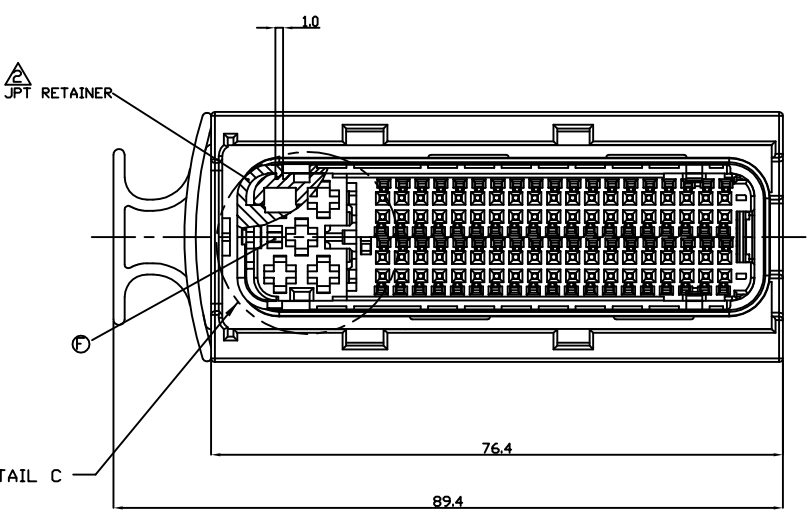


THIS DRAWING IS UNPUBLISHED. RELEASED FOR PUBLICATION. ALL RIGHTS RESERVED. COPYRIGHT

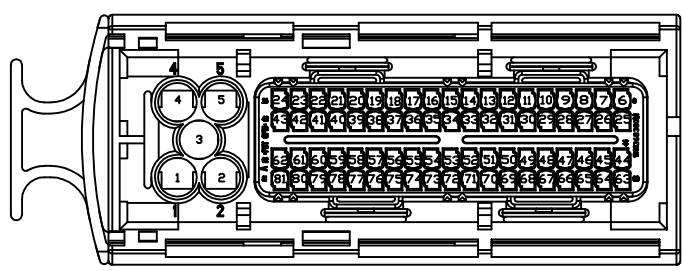
REVISIONS					
P	LTR	DESCRIPTION	DATE	DWN	APVD
F		REVISED(KFC00-0008-03)	JAN,23,'03	HS	CS
G		REVISED(KECR-07-008979)	APR,18,'07	YH	JK
G1		REVISED(KECR-17-012909)	SEP,04,'17	YH	YJ



SECT. A-A

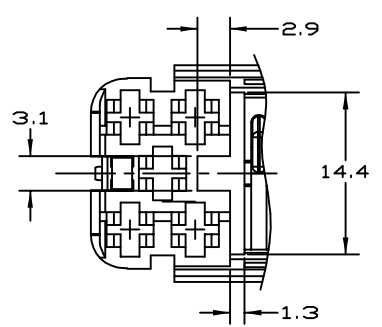


3 - D VIEW



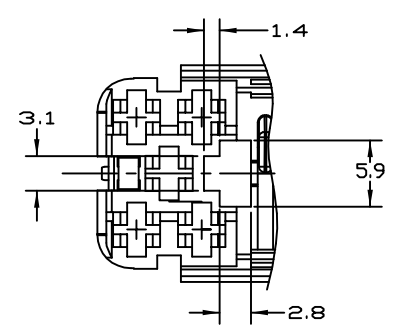
CIRCUIT NUMBER LAYOUT
SCALE(2/1)

368376-4	6,8,10,21,25~28,33,34,41,42, 46~49,53,61,65~68,70,72,74,80,81.	ⒶⒷⒸⒹ
368376-3	14~16,20,30,32~35,37,39, 45~47,53~59,72~75,77.	ⒶⒸ
368376-2	7,9,10,14~16,20,27,30,32~35,37, 39,45~47,52~59,67,68,72~75,77.	Ⓐ
368376-1	-	
PART NUMBER	BLANKED CAVITIES	



CODE A

Ⓒ DETAIL C
SCALE 3/1



CODE B

NOTES

- GENERAL TOLERANCE IS ±0.5
- CONDITION OF DELIVERY : SLIDE LEVER IN CLOSED POSITION, JPT RETAINER IN OPEN POSITION.
- SUITABLE FOR WIRE SIZE RANGE:

CONTACT	MQS	JPT
CIRCUIT NO.	6 - 81	1 - 5
WIRE SIZE(mm ²)	0.5 - 0.75	0.5 - 2.5
- APPLIED COVER HSG P/N: 368389.
- APPLIED RECEPTACLE CONTACT P/N:

CONTACT	MQS	JPT		
Part NO.	968220	968221	964286	964273
WIRE SIZE(mm ²)	0.5	0.75	0.5 - 1.0	1.0 - 2.5
- APPLIED HEADER ASSEMBLY P/N: 368146.
- APPLIED MQS RETAINER HSG P/N: 368382.

NO.	Part NO.	DESCRIPTION	MATERIAL	COLOR	Q'TY
7	368381-1	JPT RETAINER	PBT-GF30	YELLOW	1 1 1 1 1 1
6	368905-1	INNER SEAL FOR 81P	SILICONE	ORANGE	1 1 1 1 1 1
5	368380-4	SEAL RETAINER FOR 81P	PBT-GF15	BLUE	1
	368380-3			WHITE	1
	368380-2			GRAY	1
	368380-1			BLACK	1
4	368379-1	SLIDE LEVER FOR 81P	PA66-GF35	BLACK	1 1 1 1 1 1
3	368904-1	76P FAMILY SEAL	SILICONE	ORANGE	1 1 1 1 1 1
2	368378-1	MAIN BODY REC. HSG FOR 81P	PBT-GF20	BLACK	1 1 1 1 1 1
1	368377-2	FRONT BODY REC. HSG FOR 81P(CODE B)	PA66-GF15	RED Ⓒ	1 1
1	368377-1	FRONT BODY REC. HSG FOR 81P(CODE A)	PA66-GF15	BLACK	1 1 1 1 1 1

THIS DRAWING IS A CONTROLLED DOCUMENT. DWG YD LEE
 DIMENSIONS: MM. TOLERANCES UNLESS OTHERWISE SPECIFIED.
 DIMENSIONS: 0.1 PLC, 0.2 PLC, 0.3 PLC, 0.4 PLC, 0.5 PLC, 0.6 PLC, 0.8 PLC, 1.0 PLC, 1.2 PLC, 1.5 PLC, 2.0 PLC, 2.5 PLC, 3.0 PLC, 4.0 PLC, 5.0 PLC, 6.0 PLC, 8.0 PLC, 10.0 PLC, 12.5 PLC, 16.0 PLC, 20.0 PLC, 25.0 PLC, 31.5 PLC, 40.0 PLC, 50.0 PLC, 63.0 PLC, 80.0 PLC, 100.0 PLC, 125.0 PLC, 160.0 PLC, 200.0 PLC, 250.0 PLC, 315.0 PLC, 400.0 PLC, 500.0 PLC, 630.0 PLC, 800.0 PLC, 1000.0 PLC.
 3rd ANGLE PROJECTION. FINISH: *.
 DWG YD LEE, APVD YJ YOUNG, NAME: 108-61039, 81Pos RECEPTACLE HSG ASSEMBLY
 APPLICATION SPEC: 114-18050, 114-18021-1, SIZE: A1, CAGE CODE: 00779, DRAWING NO: 368376, RESTRICTED TO: CUSTOMER DRAWING, SCALE: 2:1, SHEET: 1 OF 1, REV: G1