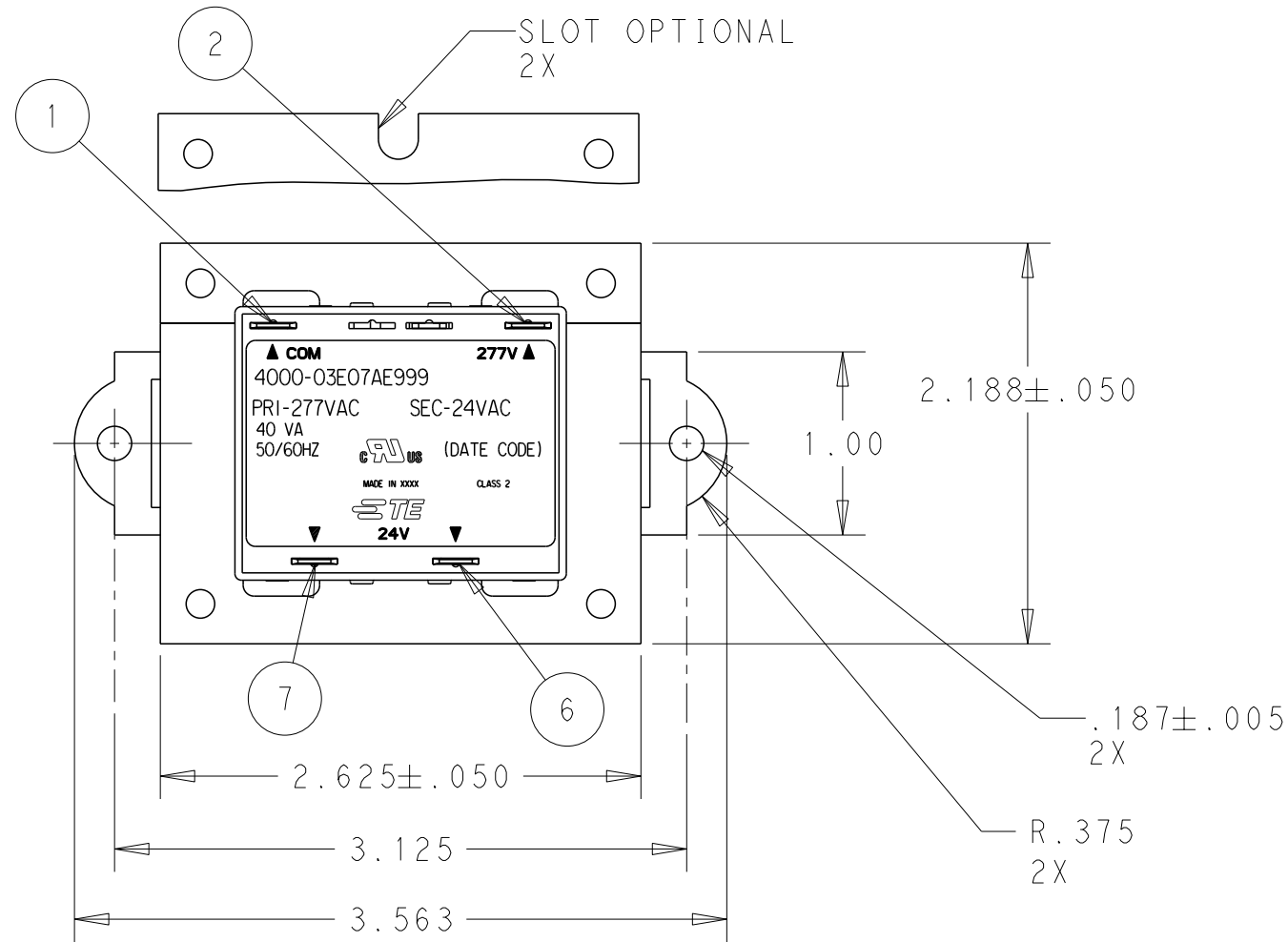


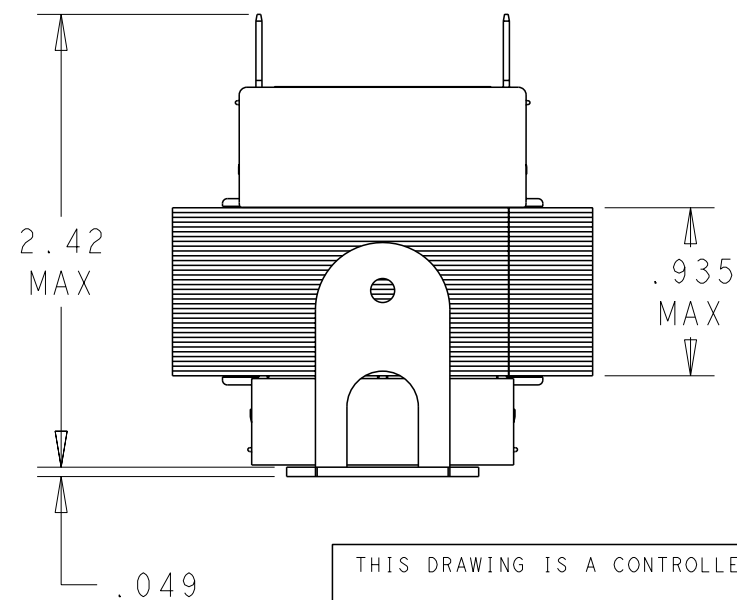
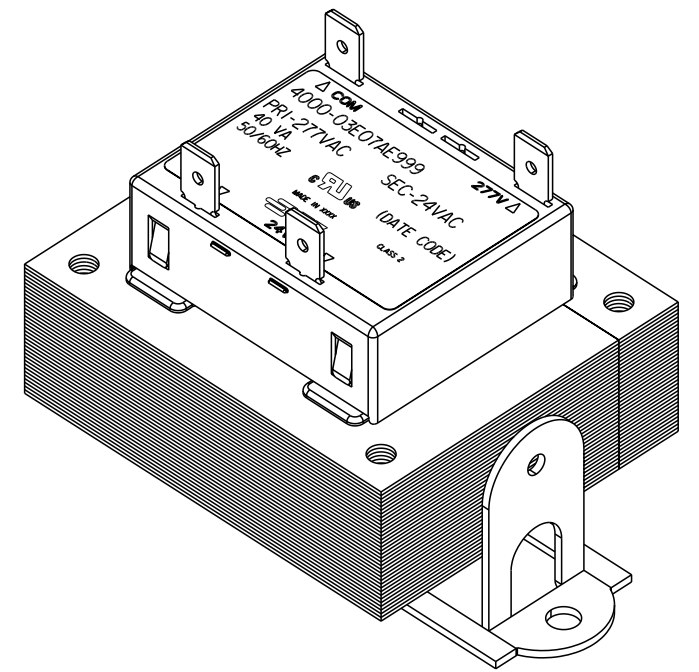
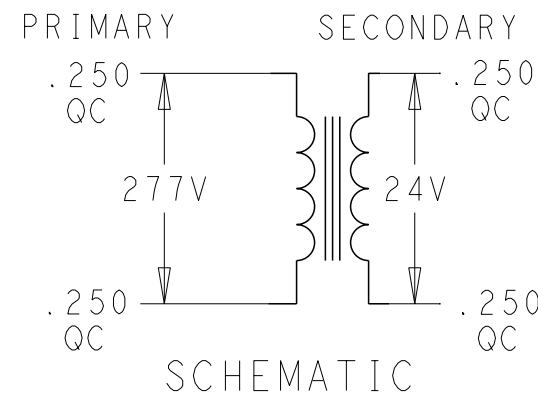
THIS DRAWING IS UNPUBLISHED. RELEASED FOR PUBLICATION 20
COPYRIGHT 20 BY - ALL RIGHTS RESERVED.

LOC	DIST	REVISIONS				
P	LTR	DESCRIPTION	DATE	DWN	APVD	
GZ	00	C	ECR-16-001088	27JAN2016	VS DB	



CERTIFICATION: UL & CUL FILE NO. E87824					
PRIMARY			SECONDARY		
TERMINAL NO.	1	2	TERMINAL NO.	6	7
VOLTAGE	COM	277	VOLTAGE	24	VAC
TERM. WIDTH	.250	.250	TERM. WIDTH	.250	.250
TERM. THICKNESS	.032	.032	TERM. THICKNESS	.032	.032

1. WINDING PROTECTION: INHERENTLY LIMITING.



2-1611454-8
TE PART NO.

THIS DRAWING IS A CONTROLLED DOCUMENT.		DWN	VIC SLACK		10JUL2014	 TE Connectivity	NAME	TRANSFORMER OUTLINE									
DIMENSIONS: INCHES		CHK	D. BLOESCH		10JUL2014			-	-	-	-						
TOLERANCES UNLESS OTHERWISE SPECIFIED:		APVD	D. BLOESCH		10JUL2014												
<table border="1"> <tr><td>0 PLC</td><td>±-</td></tr> <tr><td>1 PLC</td><td>±.1</td></tr> <tr><td>2 PLC</td><td>±.03</td></tr> <tr><td>3 PLC</td><td>±.015</td></tr> <tr><td>4 PLC</td><td>±-</td></tr> <tr><td>ANGLES</td><td>±-</td></tr> </table>		0 PLC	±-	1 PLC	±.1			2 PLC	±.03	3 PLC	±.015	4 PLC	±-	ANGLES	±-	PRODUCT SPEC	-
0 PLC	±-																
1 PLC	±.1																
2 PLC	±.03																
3 PLC	±.015																
4 PLC	±-																
ANGLES	±-																
MATERIAL		APPLICATION SPEC	-			SIZE	CAGE CODE	DRAWING NO	RESTRICTED TO								
-		WEIGHT	-			A3	00779	C-4000-03E07AE999	-								
-		Customer Drawing	SCALE	1:1	SHEET	1	OF	1	REV	C							