

4

3

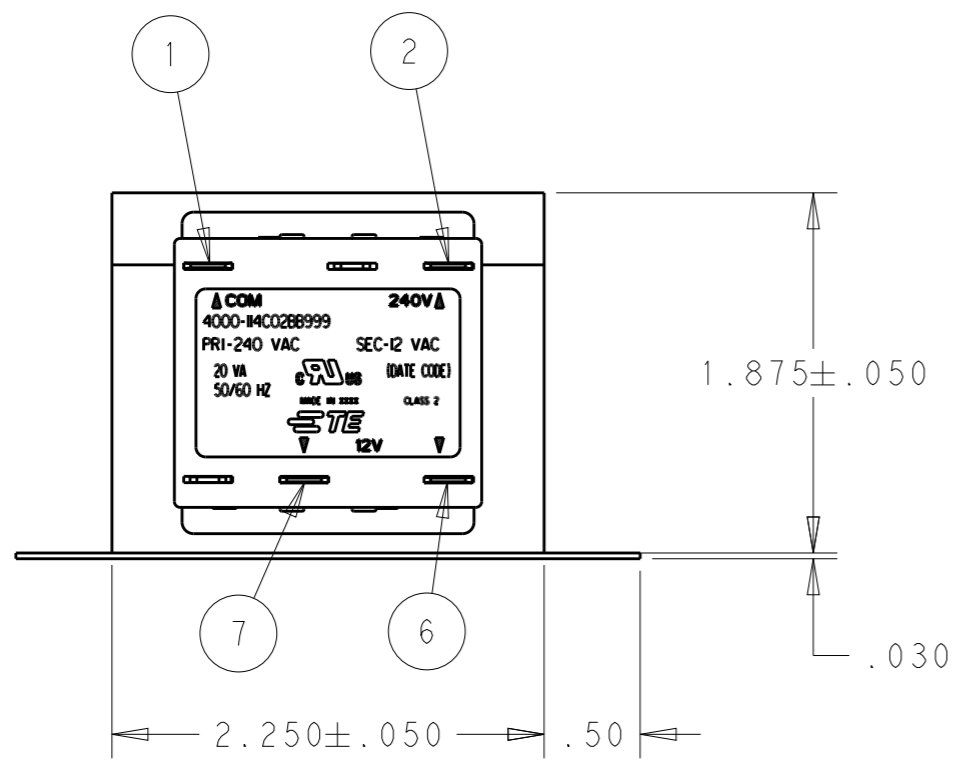
2

1

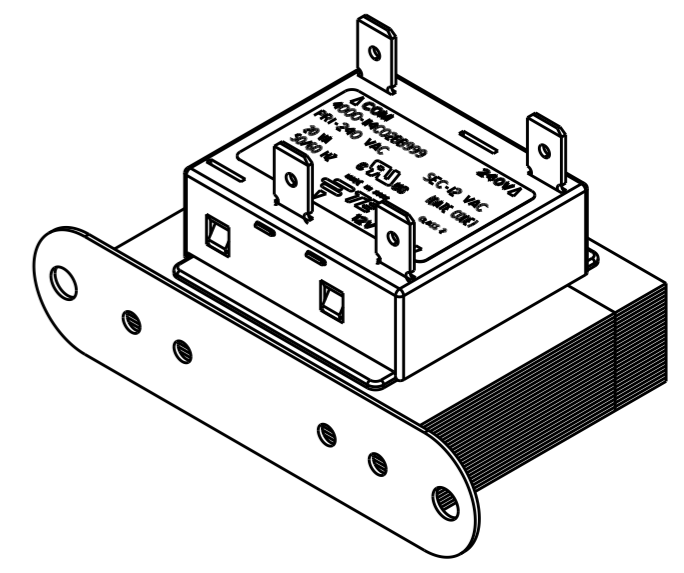
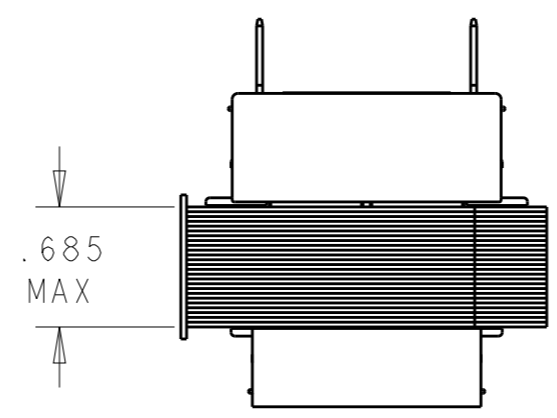
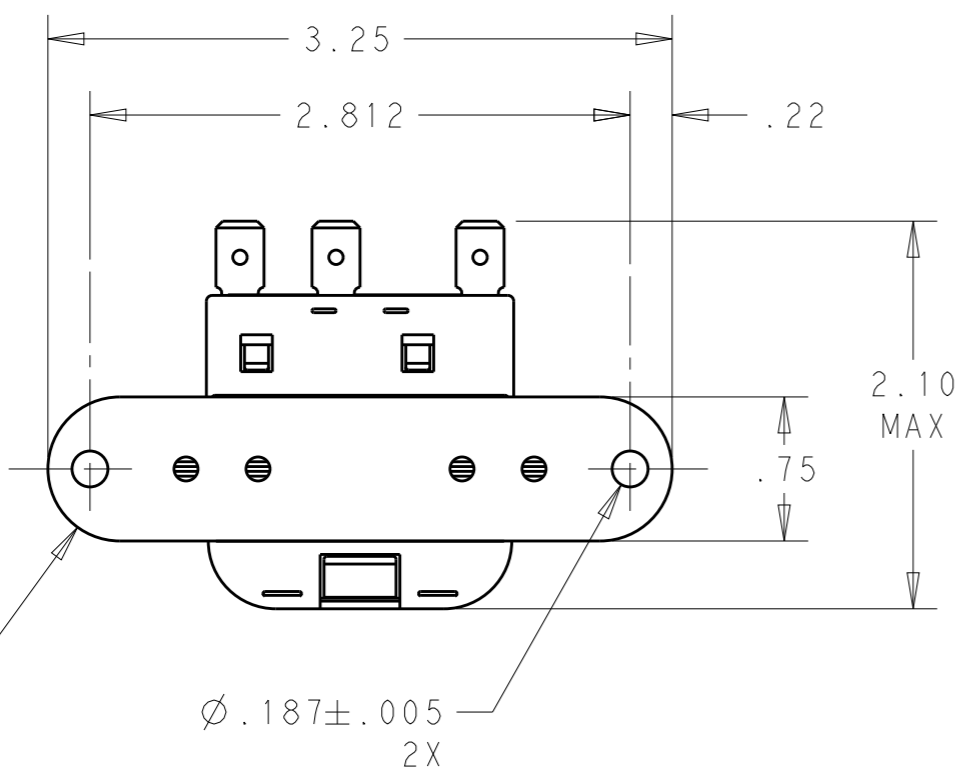
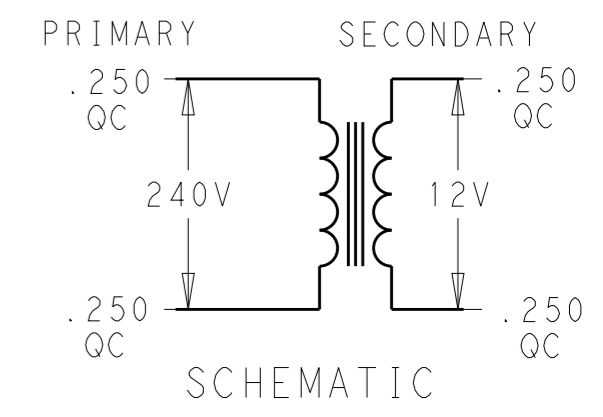
THIS DRAWING IS UNPUBLISHED. RELEASED FOR PUBLICATION 20  
 © COPYRIGHT 20 BY - ALL RIGHTS RESERVED.

REVISIONS				
P	LTR	DESCRIPTION	DATE	APVD
B		ECR-17-007192	21NOV2017	VS DB


CERTIFICATION: UL & cUL FILE NO. E87824					
PRIMARY			SECONDARY		
TERMINAL NO.	1	2	TERMINAL NO.	6	7
VOLTAGE	COM	240	VOLTAGE	12	VAC
TERM. WIDTH	.250	.250	TERM. WIDTH	.250	.250
TERM. THICKNESS	.032	.032	TERM. THICKNESS	.032	.032



1. WINDING PROTECTION: INHERENTLY LIMITING.



6-1611449-1  
TE PART NO.

THIS DRAWING IS A CONTROLLED DOCUMENT.		DWN	VIC SLACK	23MAY2017	 TE Connectivity NAME TRANSFORMER OUTLINE		
DIMENSIONS: INCHES		CHK	D. BLOESCH	23MAY2017			
TOLERANCES UNLESS OTHERWISE SPECIFIED:		APVD	D. BLOESCH	23MAY2017			
0 PLC ±- 1 PLC ±.1 2 PLC ±.03 3 PLC ±.015 4 PLC ±- ANGLES ±-		PRODUCT SPEC	-	-			
MATERIAL	FINISH	APPLICATION SPEC	-	-	SIZE	A3	
-	-	WEIGHT	-	-	CAGE CODE	-	
-	-	CUSTOMER DRAWING	-	-	DRAWING NO	4000-114C02BB999	
		SCALE	1:1	SHEET	1 OF 1	REV	B