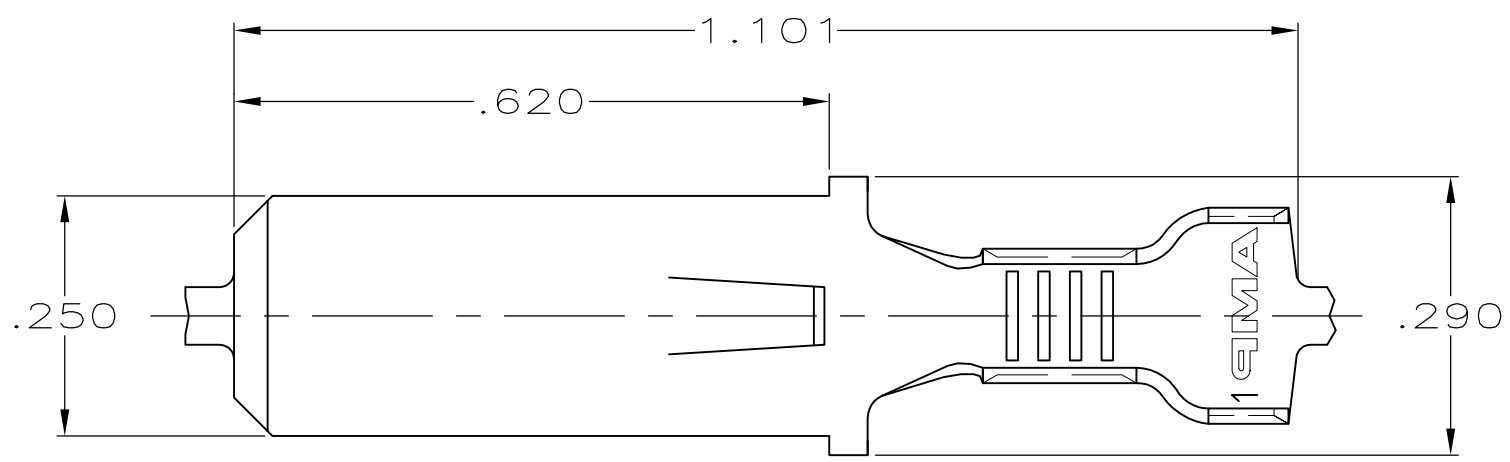
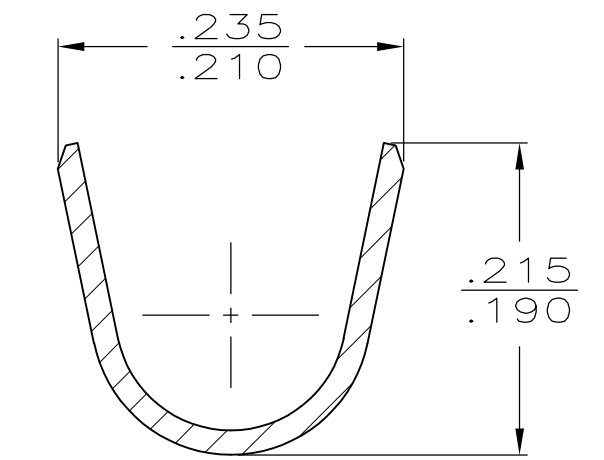
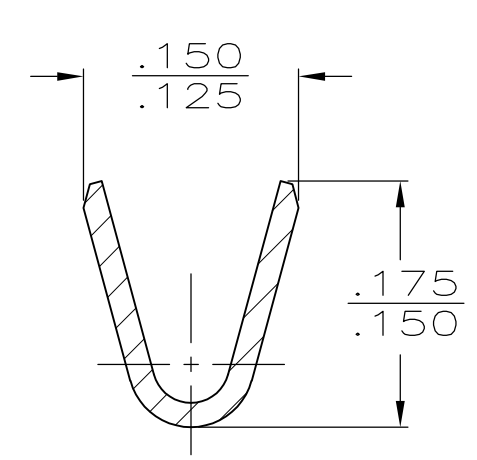
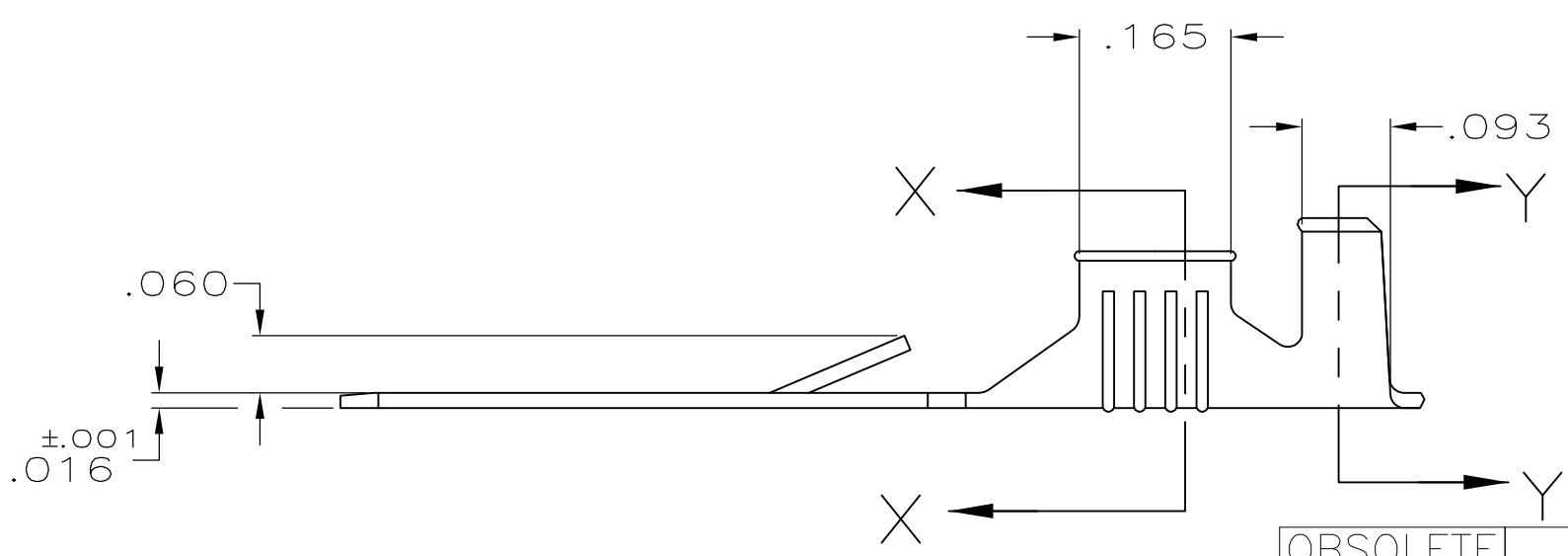


THIS DRAWING IS UNPUBLISHED. RELEASED FOR PUBLICATION
 © COPYRIGHT - By - ALL RIGHTS RESERVED.

LOC	DIST	REVISIONS					
AF	50	P	LTR	DESCRIPTION	DATE	DWN	APVD
		AA		REVISED PER ECR-13-005733	22AUG13	KH	PD



- 1 FOREIGN PRODUCTION ONLY.
AMP ARGENTINA
- 2 CONTINUOUS STRIP ON REELS.



OBSOLETE	PRE-TIN	.120-.145	18-14	42099-4
OBSOLETE	SILVER	.120-.145	18-14	42099-3
1	TIN .000080 MIN	.120-.145	18-14	42099-2
1	OBSOLETE	.120-.145	18-14	42099-1
	FINISH	INSUL RANGE	WIRE SIZE	

THIS DRAWING IS A CONTROLLED DOCUMENT.		DWN	JR RUTH	12/17/90	STE TE Connectivity				
DIMENSIONS: INCHES		CHK	MS FEHER	12/17/90					
		APVD	J GILLESPIE	12/17/90					
		PRODUCT SPEC				NAME	TAB, FASTIN-FASTON,™ .250 SERIES		
MATERIAL: BRASS		FINISH: SEE TABLE			APPLICATION SPEC	SIZE	CAGE CODE	DRAWING NO	RESTRICTED TO
		CUSTOMER DRAWING			WEIGHT	A3 00779 C-42099		SCALE	5:1
					SHEET		1 OF 1	REV	AA