

THIS DRAWING IS UNPUBLISHED.

RELEASED FOR PUBLICATION

ALL RIGHTS RESERVED.

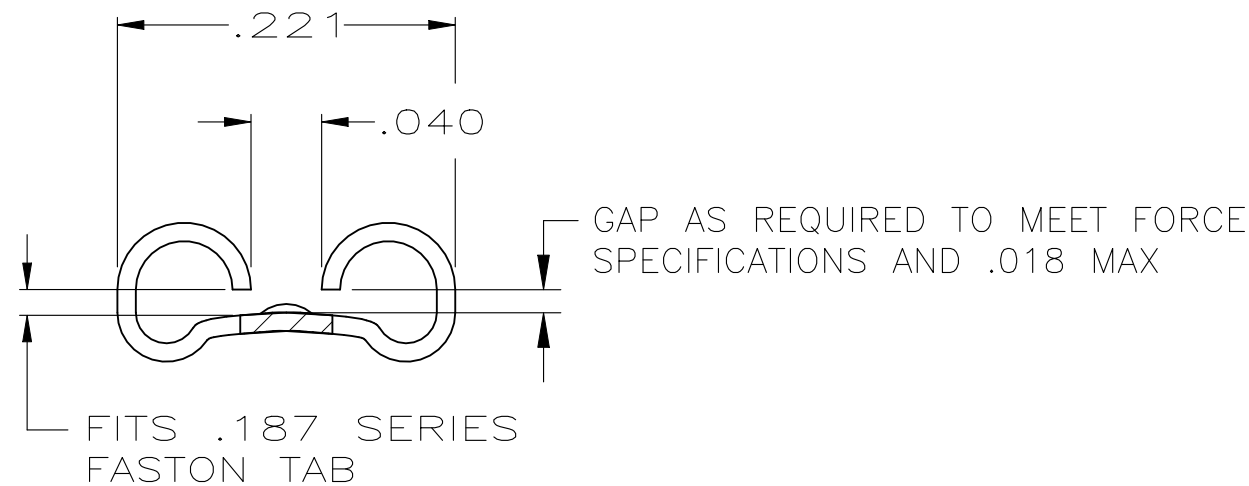
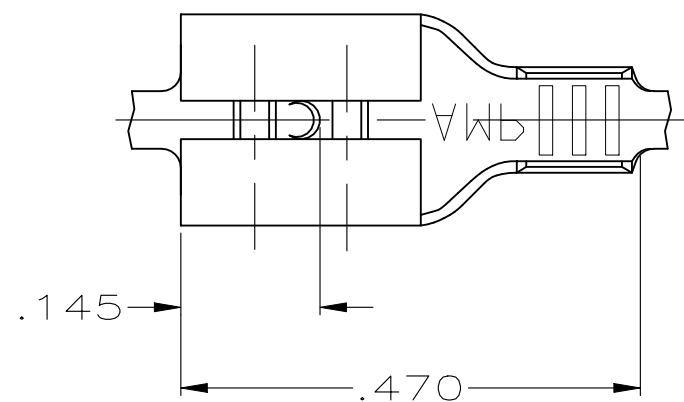
© COPYRIGHT - By -

LOC AF DIST 50

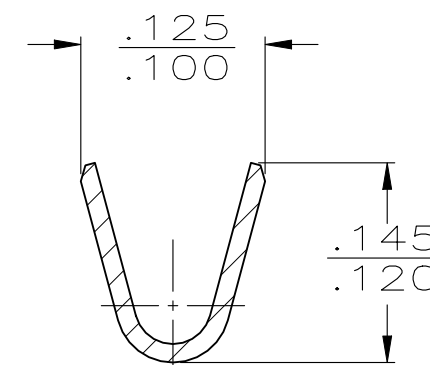
REVISIONS

P	LTR	DESCRIPTION	DATE	DWN	APVD
	L2	REVISED PER ECN-22-144483	22MAR2022	MK	ES

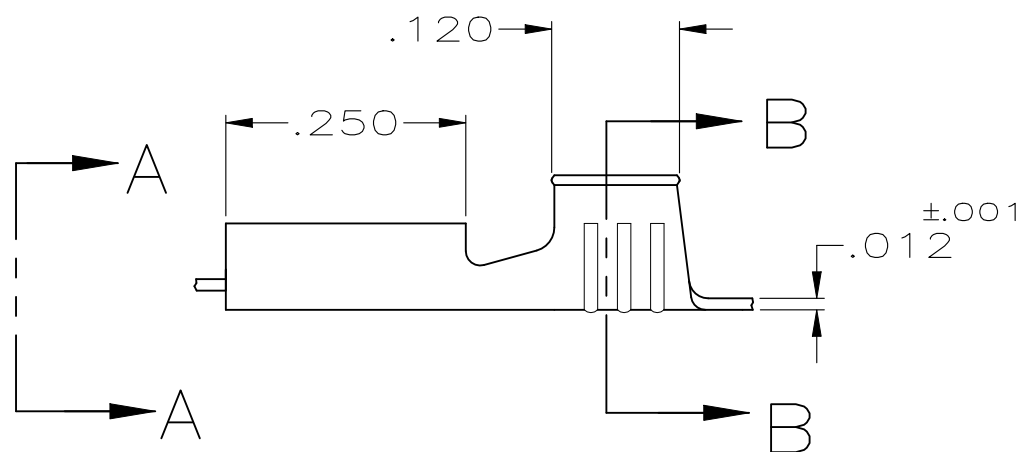
1 CONTINUOUS STRIP ON REELS



VIEW A-A SCALE 8:1



SECTION B-B SCALE 8:1



OBSOLETE	NICKEL	#2H STEEL	20-16	.021-.019	42373-3
	TIN	BRASS	20-16	.021-.019	42373-2
OBSOLETE	-	#4H BRASS	20-16	.020	42373-1
	FINISH	MATERIAL	WIRE SIZE	MATING TAB THK	PART NUMBER

STRIP LENGTH ±.015	TYPE	WIDTH	±.002 HEIGHT	WIRE
.188	F	.090	.060	16
			.053	18
			.049	20
WIRE BARREL CRIMP				

THIS DRAWING IS A CONTROLLED DOCUMENT.	
DIMENSIONS: INCHES	TOLERANCES UNLESS OTHERWISE SPECIFIED:
	0 PLC ± -
	1 PLC ± -
	2 PLC ± -
	3 PLC ± .015
	4 PLC ± -
ANGLES ± -	
MATERIAL SEE TABLE	FINISH SEE TABLE

DWN JR RUTH 7/14/89	TE Connectivity RECEPTACLE, FASTON™, .187 SERIES				
CHK MS FEHER 7/14/89					
APVD C MEYERS 7/14/89					
PRODUCT SPEC	NAME	SIZE	CAGE CODE	DRAWING NO	RESTRICTED TO
APPLICATION SPEC		A3	00779	C-42373	-
WEIGHT -	CUSTOMER DRAWING		SCALE 5:1	SHEET 1 OF 1	REV L2