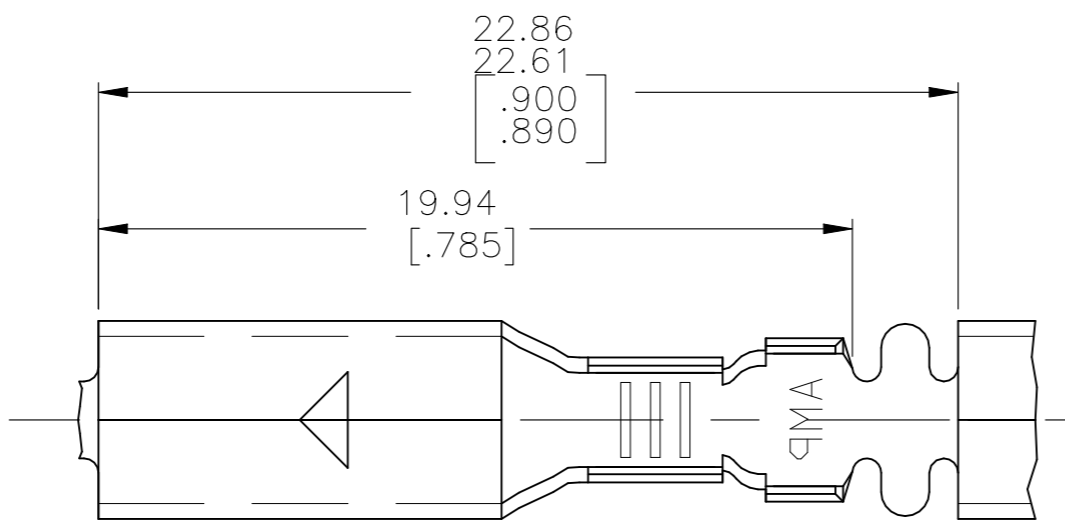
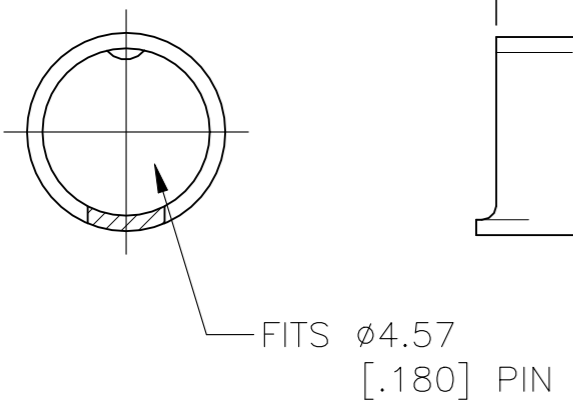
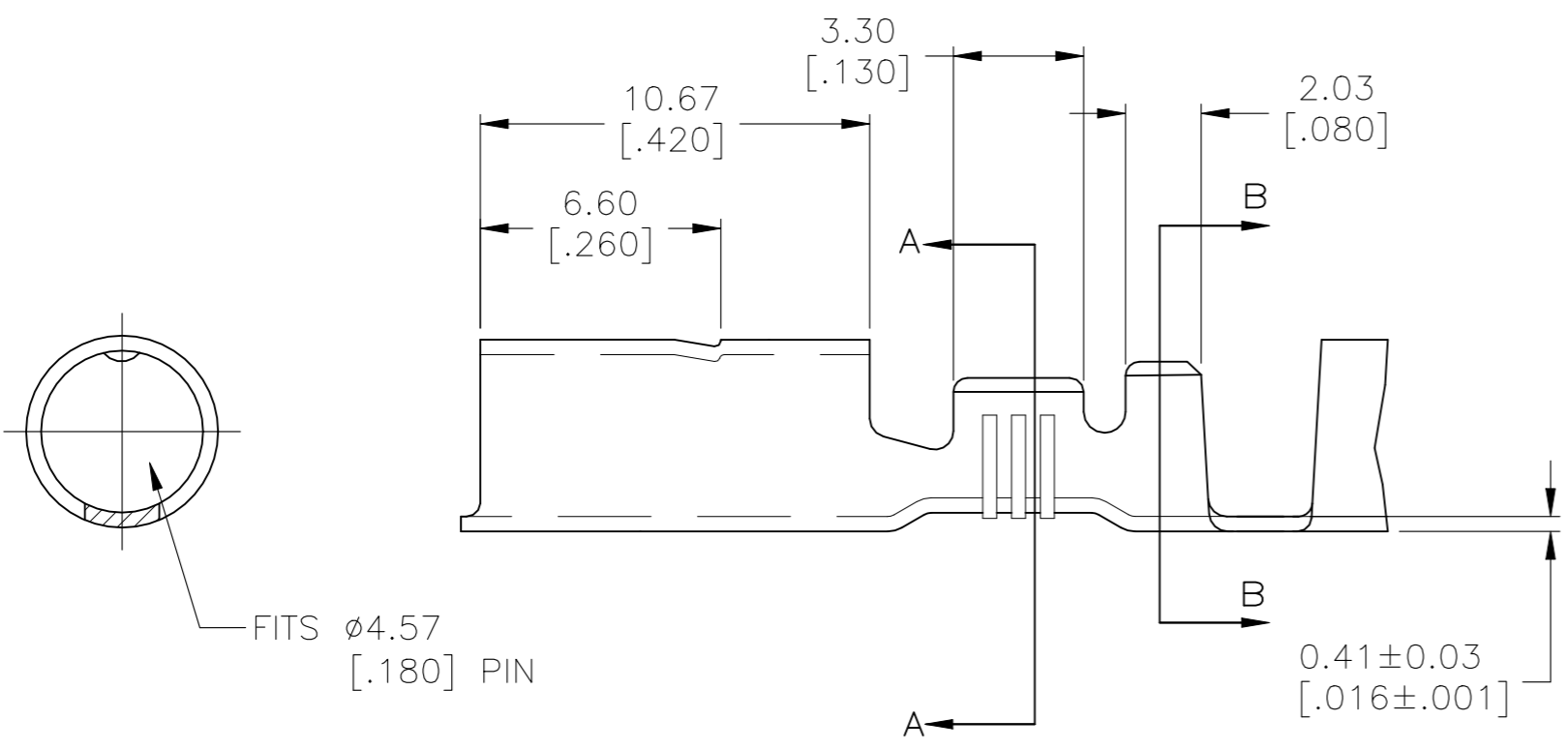
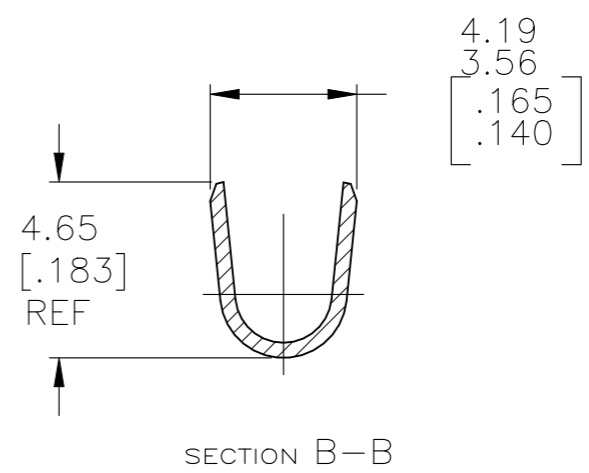
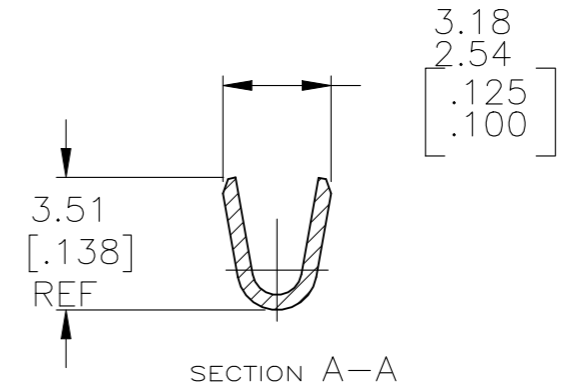


REVISIONS				
P	LTR	DESCRIPTION	DATE	APVD
	U2	REVISED PER ECR-23-163558	17MAR2023	SS RE



- 1 CONTINUOUS STRIP ON REELS.
- 2 WIRE RANGE: 20-16 AWG
- 3 INSULATION RANGE: 2.29-3.05 [.090-.120] DIA.



OBSOLETE	NONE	HO4 PHOS. BRONZE	42531-5
OBSOLETE	NONE	HO4 CU BRONZE	42531-4
	NONE	HO4 PHOS. BRONZE	42531-3
	TIN	4M BRASS	42531-2
OBSOLETE	NONE	4M BRASS	42531-1
	FINISH	MATERIAL	PART NO

THIS DRAWING IS A CONTROLLED DOCUMENT.		DWN RAGHAVENDRA 30OCT2007	STE TE Connectivity	
DIMENSIONS: mm [INCHES]		CHK D DECKER 30OCT2007		
TOLERANCES UNLESS OTHERWISE SPECIFIED:		APVD D DECKER 30OCT2007	NAME	
0 PLC ± -		PRODUCT SPEC	RECEPTACLE SHUR PLUG, 4.57 [.180] DIA	
1 PLC ± -		APPLICATION SPEC	SIZE	CAGE CODE
2 PLC ± 0.38 [.015]		—	A3	00779
3 PLC ± -		—	DRAWING NO	RESTRICTED TO
4 PLC ± -		—	C-42531	—
ANGLES ± 1°		WEIGHT 0.000000	SCALE 5:1	SHEET 1 OF 1
MATERIAL SEE TABLE	FINISH SEE TABLE	CUSTOMER DRAWING	REV U2	