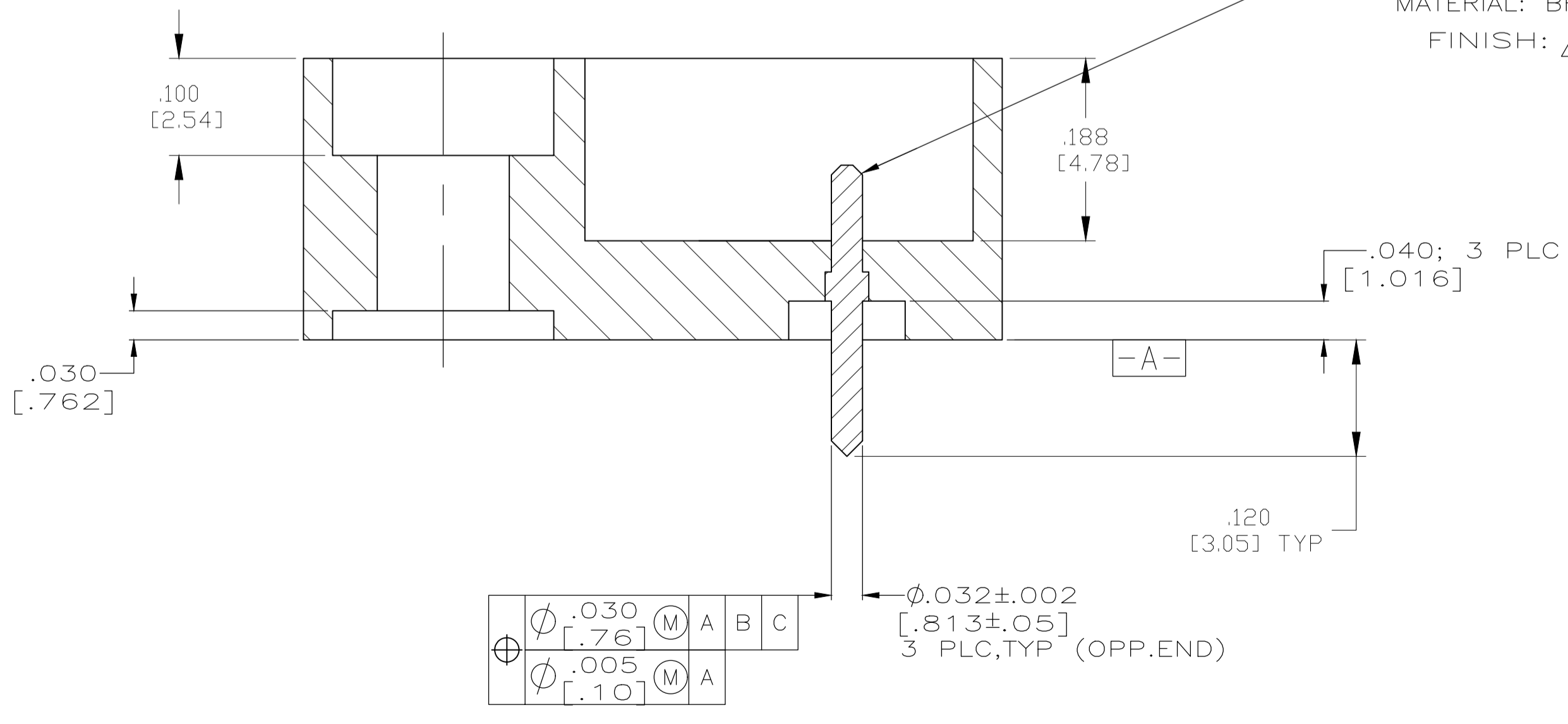
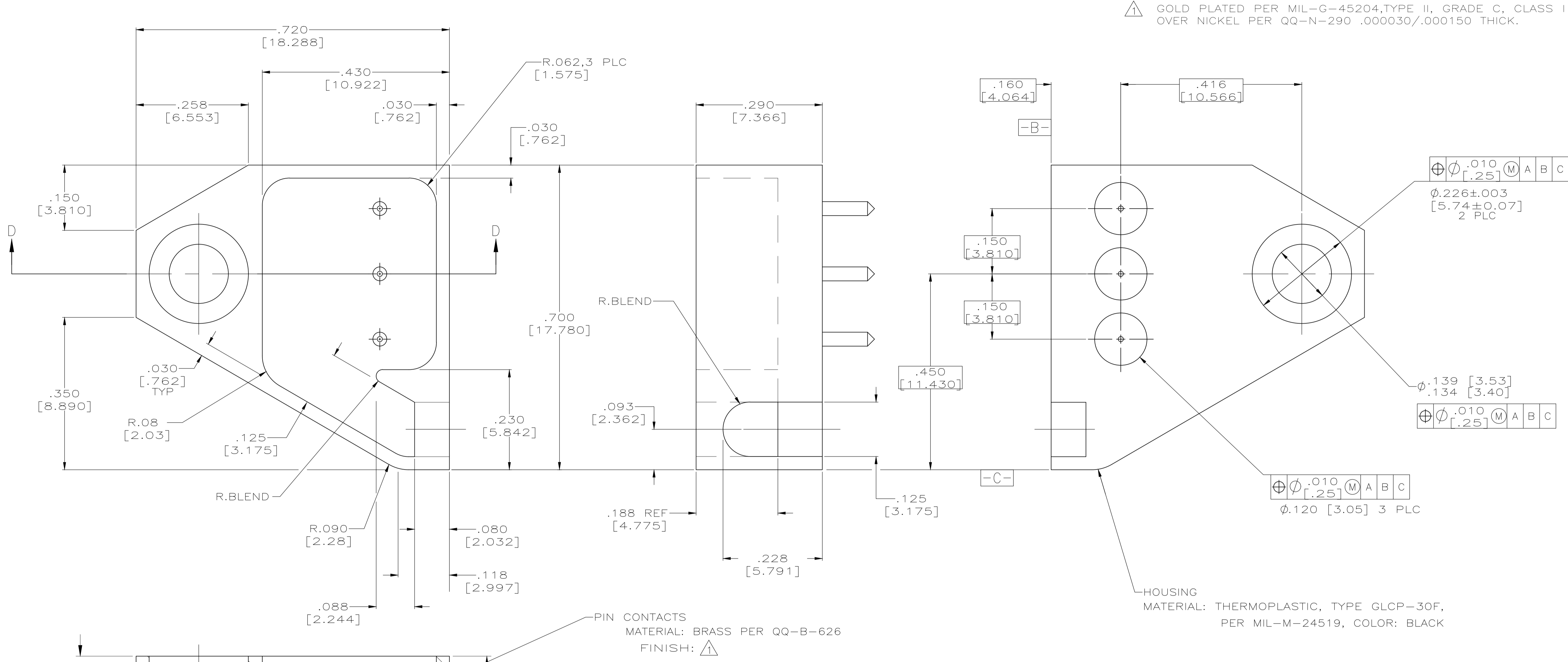


REVISIONS					
P	LYR	DESCRIPTION	DATE	DMN	APVD
D	REV PER ECO	18-015726	10-5-18	CT	DM



$\varnothing .030$	[.76]	M	A	B	C
$\varnothing .005$	[.10]	M	A		

$\varnothing .032 \pm .002$
[.813 ± .05]
3 PLC, TYP (OPP. END)

447589-1
PART NO

THIS DRAWING IS A CONTROLLED DOCUMENT.		DIN 9-19-91	D.E. STAHL	
DIMENSIONS: INCHES		02-18-92	J.P. SCHOLZ	
TOLERANCES UNLESS OTHERWISE SPECIFIED:		02-18-92	J.P. SCHOLZ	
0 PLC ± -		NAME	FUZE SYSTEM CONNECTOR, TWISTED PAIR	
1 PLC ± -		APPLICATION SPEC	-	
2 PLC ± .01 [0.3]		SIZE	A1	
3 PLC ± .005 [0.13]		WEIGHT	0.000000	
4 PLC ± -		SCALE	8:1	
ANGLES ± -		SHEET	1 OF 1	
MATERIAL SEE CALLOUT		FINISH SEE CALLOUT	CUSTOMER DRAWING	REV D